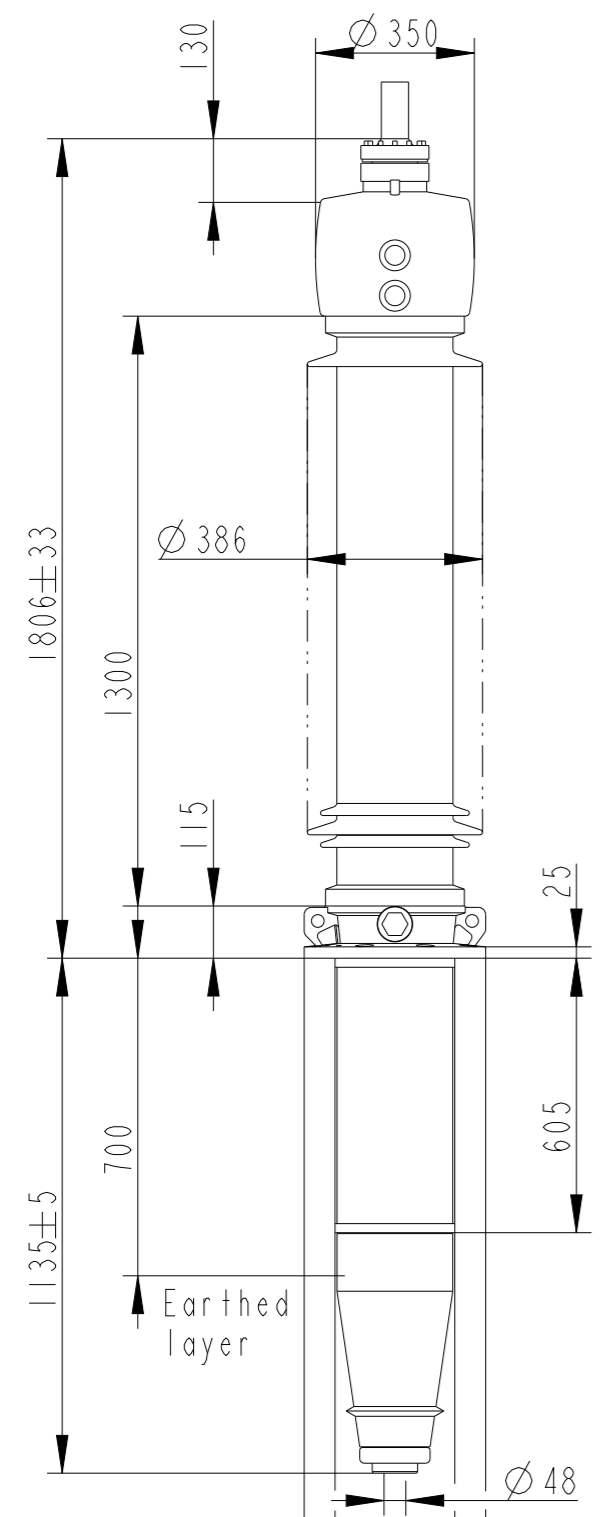


This document is issued by means of a computerized system. The digitally stored original is electronically approved. The approved document has a date entered in the "Approved"-field. A manual signature is not required.

The information contained in this document has to be kept strictly confidential. Any unauthorized use, reproduction, distribution or disclosure to third parties are strictly forbidden. ABB reserves all rights regarding Intellectual Property Rights. © Copyright 2013 ABB. All rights reserved.



Bushing Data:	
Rated Voltage	145 kV
Phase to-earth Voltage	84 kV
Dry Lightning Impulse 1,2/50µs	650 kV
Wet Switching Impulse	500 kV
Wet Power frequency AC	315 kV
Routine test Imin dry 50Hz	325 kV
Rated Current	3150 A
Creepage Distance	4775 mm
Mass	350 kg

Ordering Data:	
<b>BUSHING</b>	COLOUR AIR INSULATOR
IZSC902145 -AAB/ -BAB	BROWN / LIGHT GREY
<b>OUTER TERMINAL</b>	Max. Rated H2 D2
	Current (A)(mm) (mm)
LF170 073-A Al	2500 125 60
LF170 073-B Cu	4000 125 60
LF170 073-G Cu/Ag	4000 125 60
LF170 073-L Cu/Sn	4000 125 60
LF170 073-BA Cu/Ag	3000 125 2"-12UN
LF170 073-AA Cu	5000 125 96
<b>END-SHIELD</b>	EPOXY INSULATED
LF170 046-U	INSULATED WITH 3 mm PRESSBOARD
LF170 046-UP	
<b>DRAW ROD SYSTEM</b>	LOWER DRAW ROD WITH NI=4 OR NI=6
LF170 059	UPPER DRAW ROD
LF170 057	
<b>INNER TERMINAL</b>	D3 D9 Cond.area Current (A)
	(mm) (mm)(mm <sup>2</sup> ) IEC IEEE
LF170 056-E 0 *)	45 - - -
LF170 056-D 40	45 600 1600 1360

\*) WITH PILOT HOLE D=5

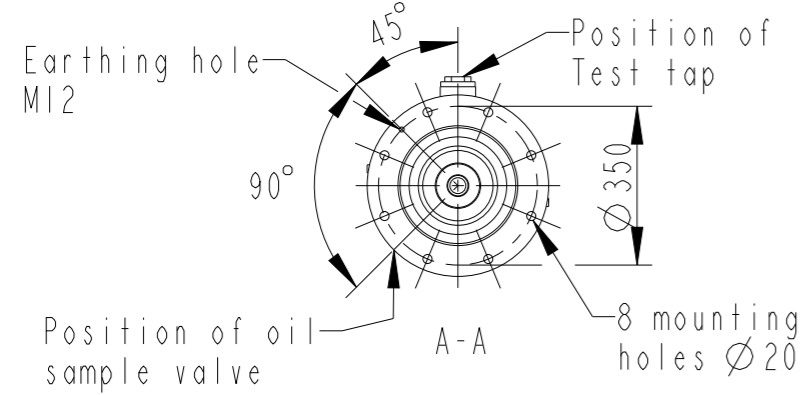
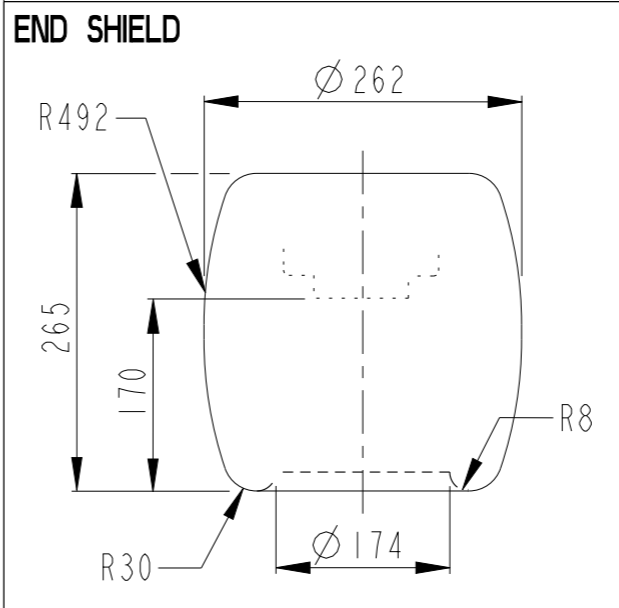
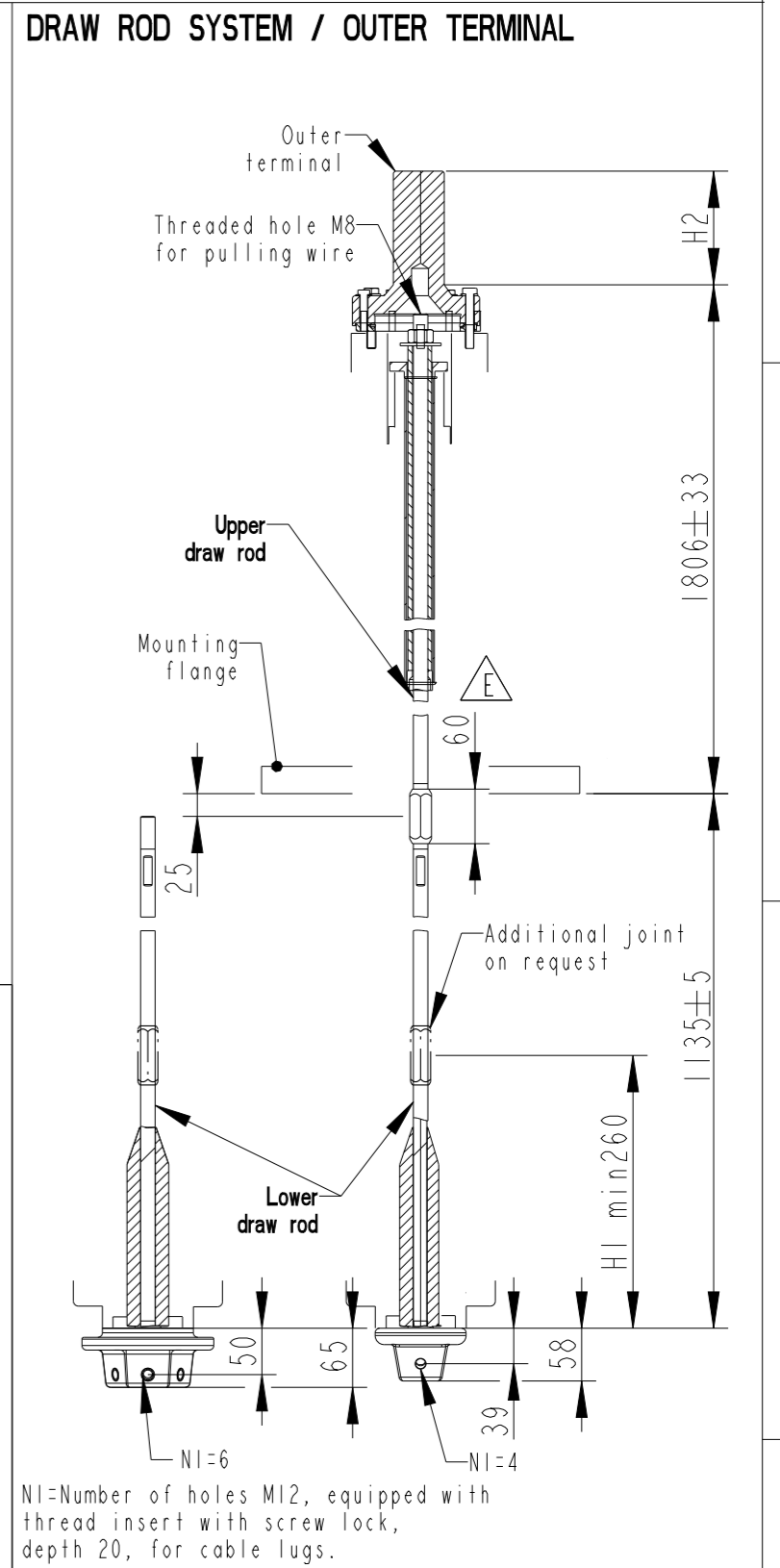
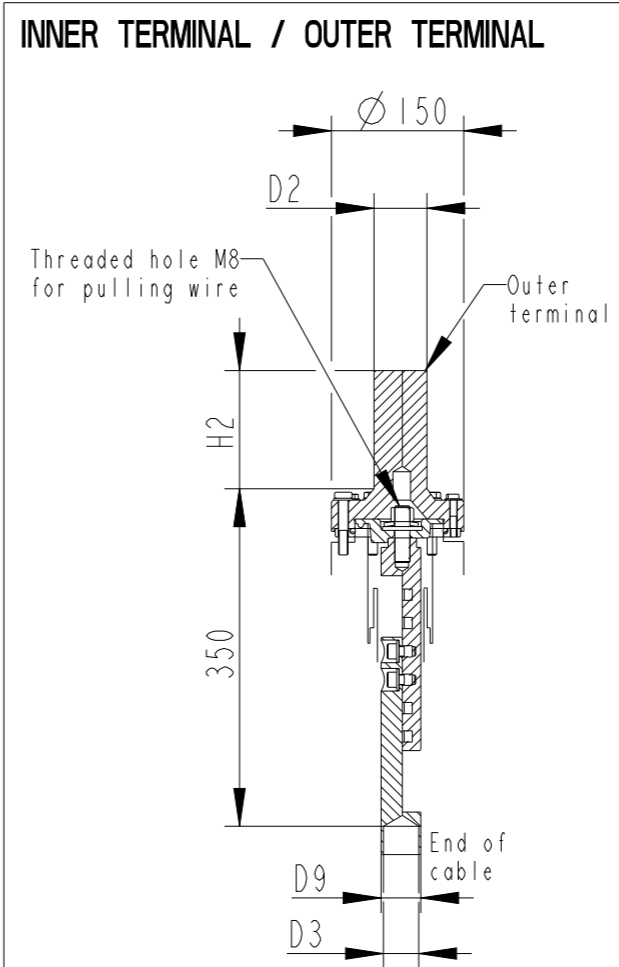


ABB		Ludvika, Sweden	
No.			
Um/Uy	kV Ir	A	50/60 Hz
BIL	kV SIL	kV AC	kV
M	kg L	mm	▷
C1	pF Tanδ	z	
C2	pF Tanδ	z	

Prepared	2015-10-22	Responsible department	PPCO/BK	Title	
Mariappan M		Take over department		GOE 650-500-3150-0.6	
Modified by	2015-10-23	Used in product		GOE 650-500-3150-0.6	Language
Mariappan M					82
Approved by	2015-10-23				Sheet no.
Natalia Gutman					1
Revision	E Subs removed & 60 was L			Order	Sheet no.
Document no.				2751369-306	No. Shits.
					(1)

