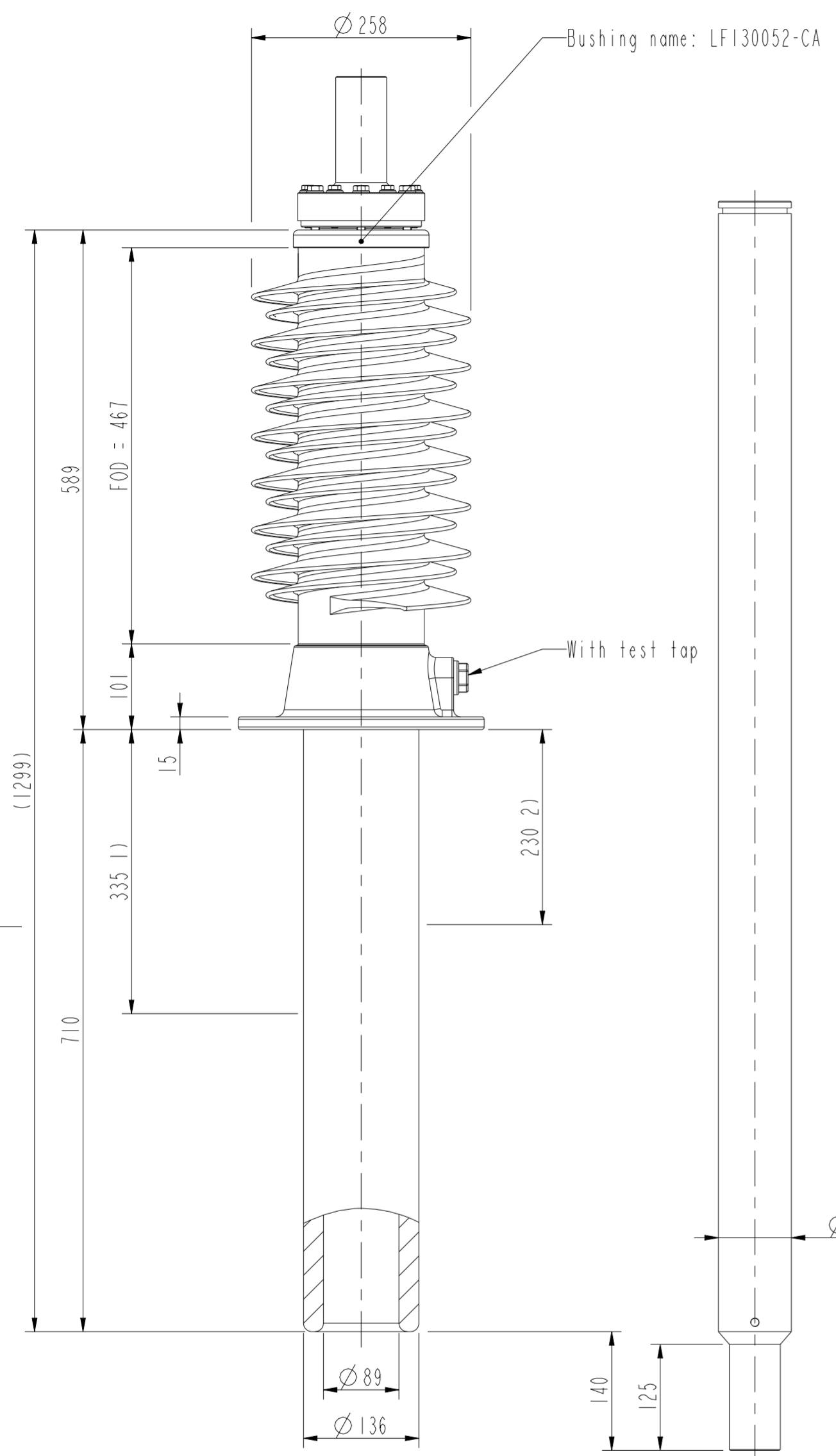


This document is issued by means of a computerized system. The digitally stored original is electronically approved. The approved document has a date entered in the "Approved"-field. A manual signature is not required.

 We reserve all rights in this document and in the information contained therein. Reproduction, use or disclosure to third parties without express authority is strictly forbidden.

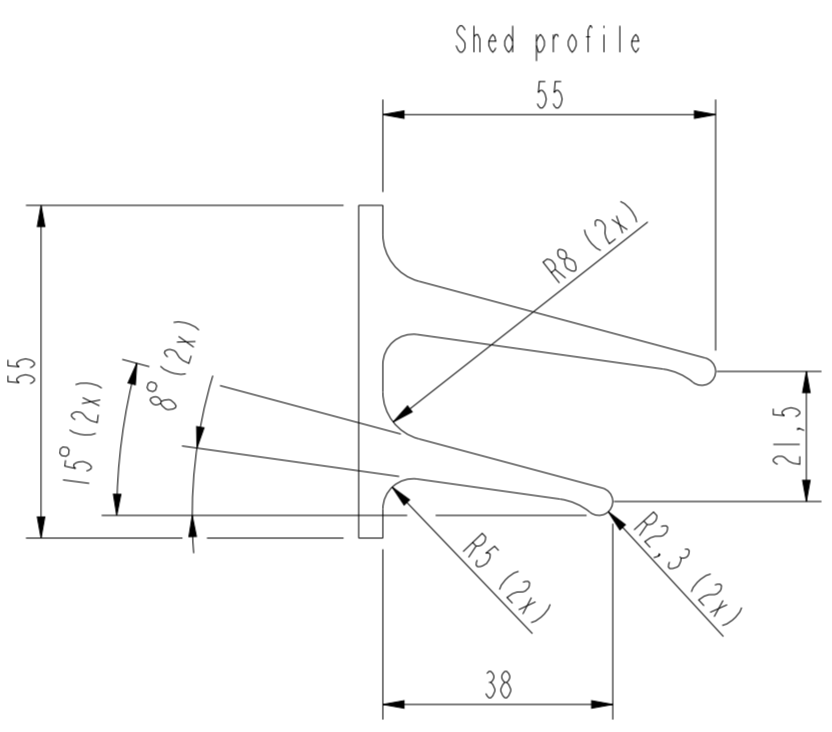
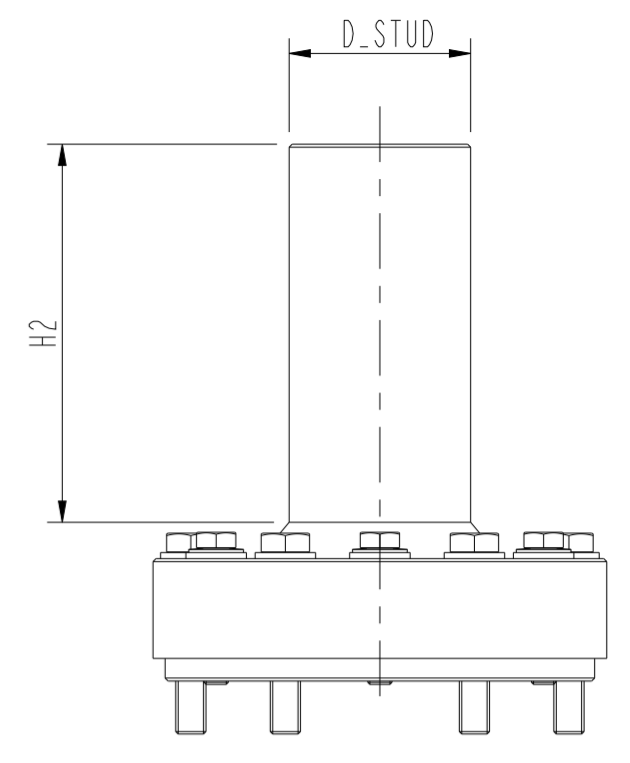
Revision: Revision text
F Instance LF170081-JDCD added.



Bushing name: LF130052-CA

| SOLID ROD | | | |
|---------------|--------|------|----------|
| Catalogue No. | D_STUD | MASS | MATERIAL |
| LF170081-JBCD | 60 | 73 | Cu |
| LF170081-JCCD | 80 | 76 | Cu |
| LF170081-JDCD | 60 | 26 | Al |

| OUTER TERMINAL | | | | |
|----------------|----------|-----|------|----------|
| Catalogue No. | D_STUD | H2 | MASS | MATERIAL |
| LF170079-BA | 60 | 125 | 3 | Al |
| LF170079-BB | 30 | 125 | 2 | Al |
| LF170079-BC | 60 | 125 | 8 | Cu |
| LF170079-BD | 30 | 125 | 5 | Cu |
| LF170079-BE | 60 | 140 | 3 | Al |
| LF170079-BF | 60 | 140 | 8 | Cu |
| LF170079-BG | 60 | 140 | 8 | Cu/Ag |
| LF170079-BK | 2.5" UNF | 160 | 9 | Cu/Ag |
| LF170079-BS | 80 | 150 | 11 | Cu/Ag |
| LF170079-AM | 38 | 100 | 4 | Cu/Ag |
| LF170079-AN | 38 | 125 | 4 | Cu/Ag |



1) Increased space for wall and CT permitted subject to de-rating according to levels within brackets in the electrical data table.

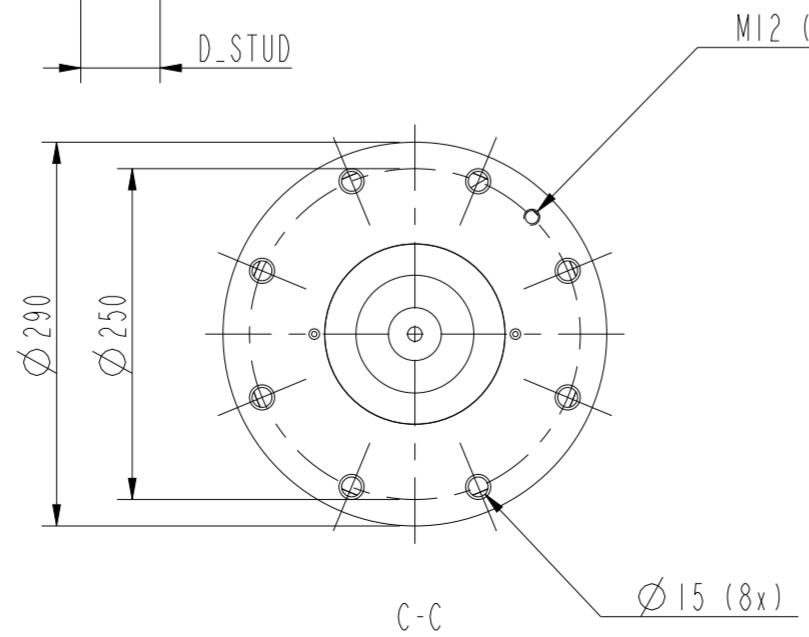
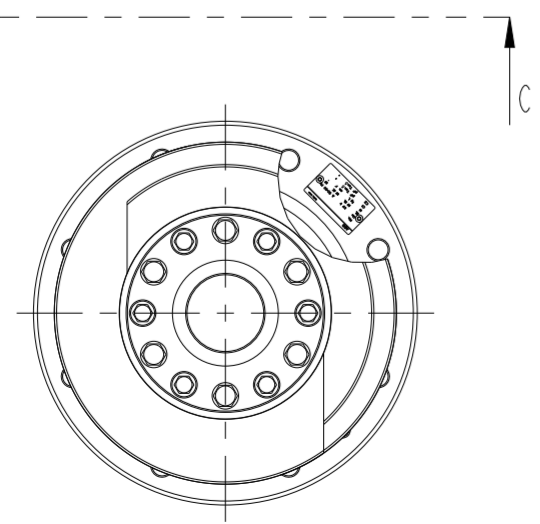
- 1) Maximum space for wall and CT.
- 2) Minimum space for CT.

| ELECTRICAL DATA acc. to IEC 60137 | | | |
|-----------------------------------|---------------------------------------|-----------|----|
| Ratings | Rated voltage | 52 (36) | kV |
| | Max phase-to-earth voltage, temporary | 52 (36) | kV |
| | Max. current with Cu-conductor | 4000 | A |
| | Dry lightning impulse | 250 (170) | kV |
| | Wet power frequency | 95 (70) | kV |
| Routine test | Dry power frequency | 120 (70) | kV |
| Capacitance | Nominal capacitance | 675 | pF |

| GENERAL DATA | | | |
|-----------------------------------|--|-------------|---------|
| Silicone rubber insulator | Creepage distance | 1642 | mm |
| | Protected creepage distance | 700 | mm |
| | Color | Light gray | ANSI 70 |
| Mass | Bushing | 26 | kg |
| Cantilever load | Cantilever test load, heavy load outdoor | 4000 | N |
| | Max. cantilever operating load, bushing | 2000 | N |
| Temp. class | According to IEC 60137 | Class | 3 |
| Mounting and service instructions | | 2750515-133 | |

| ELECTRICAL DATA acc. to ANSI C57.19.00 | | | |
|--|---------------------------------------|-----------|----|
| Ratings | Insulation class, AC | 69 (34.5) | kV |
| | Rated max. line to ground voltage | 44 (22) | kV |
| | Max. current with Cu-conductor, 60 Hz | 4000 | A |

Dim. requirements acc. to C57.19.1 not fulfilled



| ABB | | Ludvika, Sweden | |
|--|-------------|-----------------|--|
| GSA 52-AA/4000 | LF130052-CA | No. | |
| Um 52 kV Ir4000 A 50/60 Hz | | | |
| BIL 250 kV SIL - kV AC 120 kV | | | |
| M 26 kg L 710 mm \sphericalangle 0-90° | | | |
| C1 pF Tan δ x | | | |
| C2 pF Tan δ x | | | |

| | | |
|--|--|---|
| Created by Jesper Jansson | Reviewed by Peter Runnholm | Approved by Johan X Eriksson |
| Approved 2018-02-20 | Document Kind Assembly Drawing | Based on doc. id Work order id Project id |
| Company ABB Technology Ltd | Title, Supplementary title Dimension drawing GSA 52-AA/4000 | |
| Responsible Department SEABB-9AAE300824 | Genomföring GSA 52-AA/4000 | |
| ABB | Document id 2751362-BCA | Status Released |
| | Revision F | Iteration 1/1 |