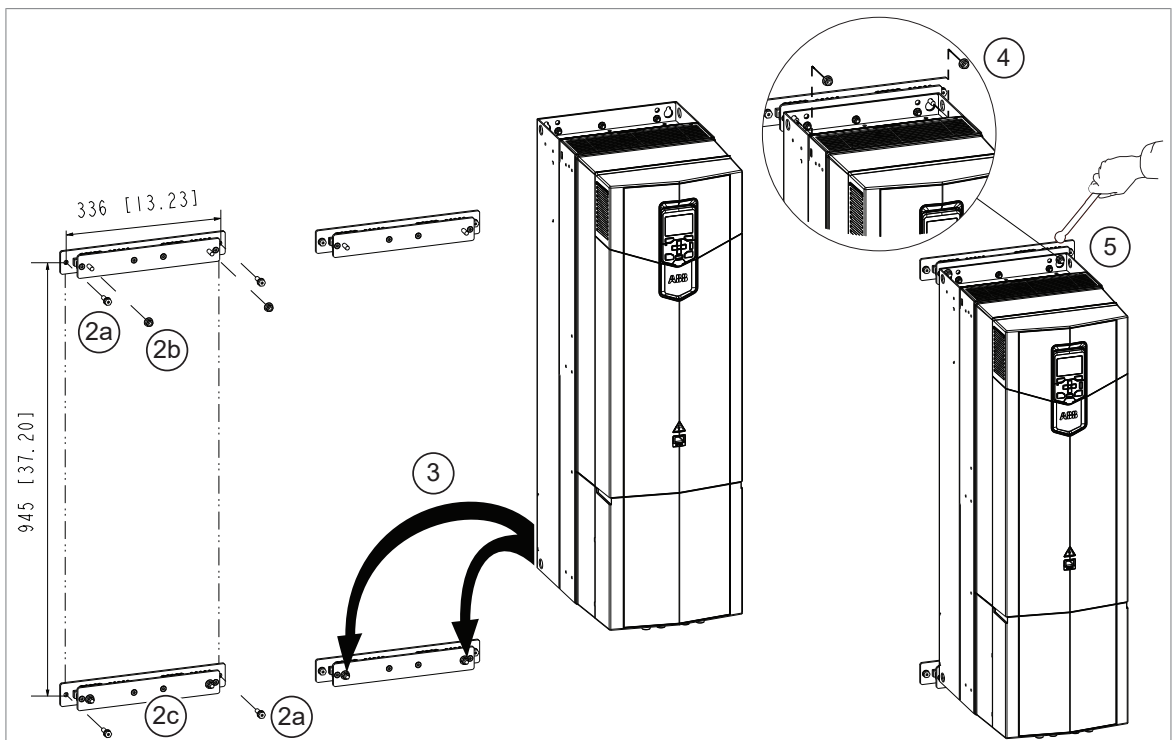


# Vibration dampers (option +C131) for ACS880-11 and ACS880-31 frame R8 drives installation instructions

1. Mark the locations of the damper mounting holes to the wall.
2. Attach the vibration dampers to the wall with four M8 screws (2a). Remove the two M8 nuts from the upper damper (2b). Loosen the two lower damper M8 nuts (2c) to make more space between the damper and the nut.
3. Lift the drive onto the threaded inserts of the lower dampers. The slot at the bottom of the drive comes between the damper and the nut.
4. Attach the drive to the upper dampers. Insert the two M8 nuts removed in step 2b.
5. Tighten all four M8 nuts to the tightening torque of 24 N·m (17.7 lbf·ft).

The dimensions are in millimeters [inches].

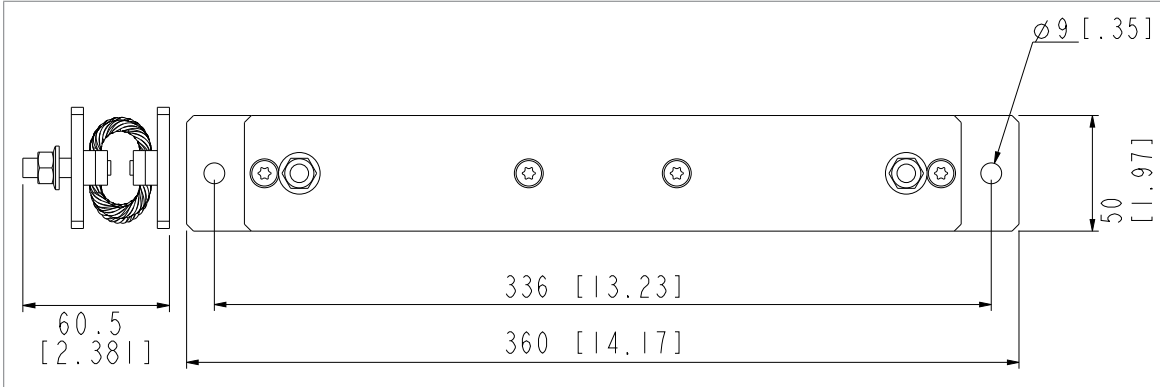


2 Vibration dampers (option +C131) for ACS880-11 and ACS880-31 frame R8 drives installation instructions

## Dimension drawing

The dimensions are in millimeters [inches].

Weight:  $2 \times 1.66 \text{ kg} = 3.32 \text{ kg}$  (7.3 lb).





[www.abb.com/drives](http://www.abb.com/drives)



3AXD50000956265A