

14

13

12

11

D

D

C

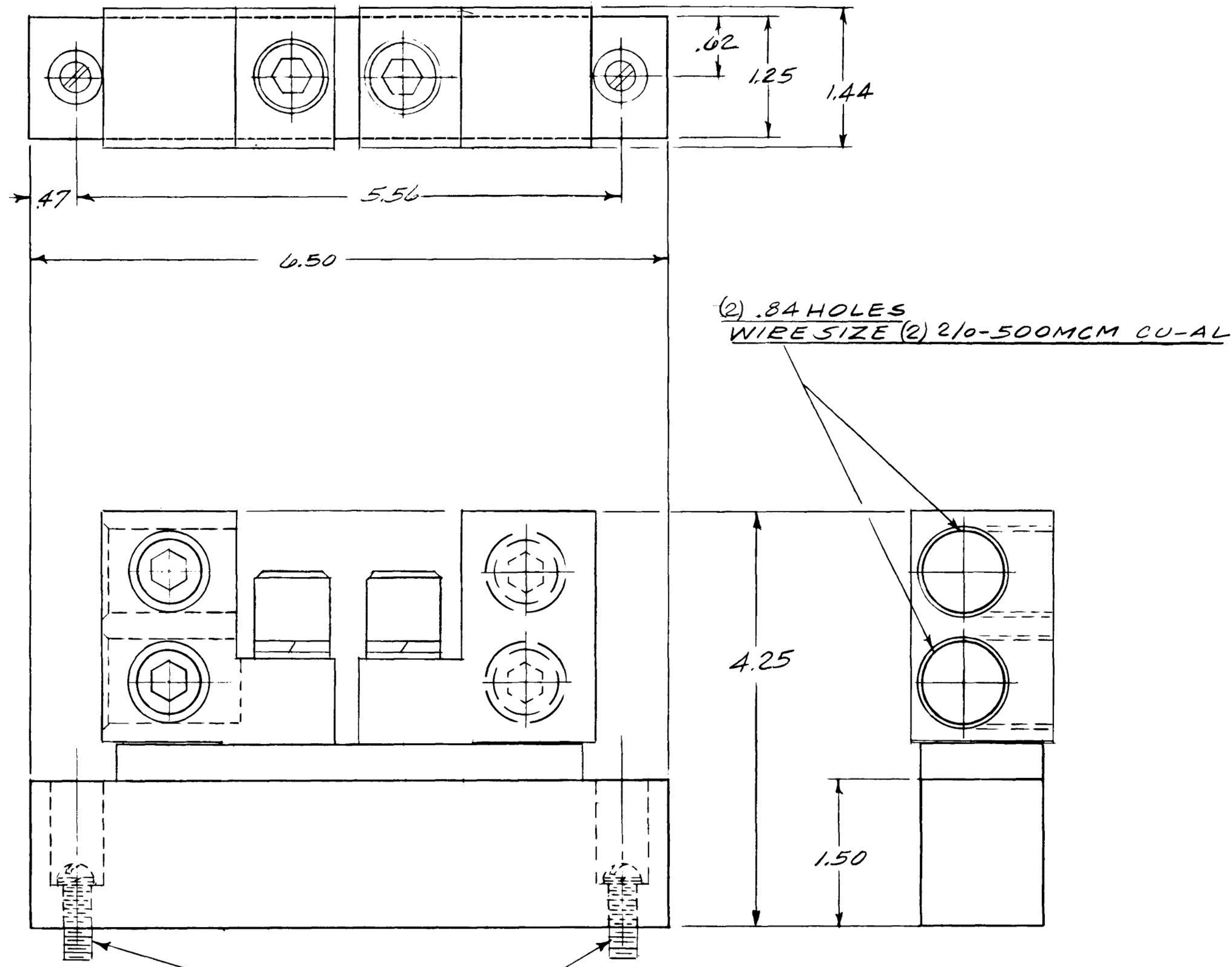
C

B

B

A

A



MOUNTING HARDWARE
 (2) #12-24 X .75 LG SCREWS
 (2) #12 LOCK WASHERS
 (2) #12 FLAT WASHERS

(2) .84 HOLES
 WIRE SIZE (2) 2/0-500MCM CU-AL



OUTLINE NEUTRAL
 FIRST MADE FOR TNIA600 MOD 8

THIRD ANGLE	SHEET#	DWG NO.	DATE	REV
	1 of 1	139C5482SH1	05-Feb-23	E

14

13

12

11