

Data sheet DS/CHART-EN Rev. B

# Charts and Pens for Circular Recorders



## General Information

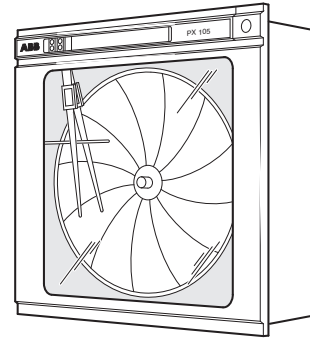
Over the last 50 years, as well as manufacturing chart recorders, ABB have been producing the associated pens and charts required for an extremely wide variety of applications. We now have one of the most comprehensive ranges of charts available from a single supplier.

As a result of experience gained over the years the charts and pens we supply have built-in quality.

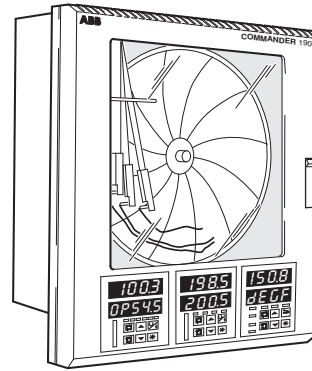
- The paper has been selected to match the ink, avoiding over-absorption and giving a clearer trace
- To ensure a high quality trace all of our chart paper and inks operate consistently between:
  - 0 to 80% RH
  - 0 to 50°C

The company not only supplies high quality instrumentation but also looks beyond this to ensure high quality operation.

This document contains just a sample of our range of charts, many more are available. For further information please contact our Spares Department on (01480) 475321.



*Clearspan PX105*



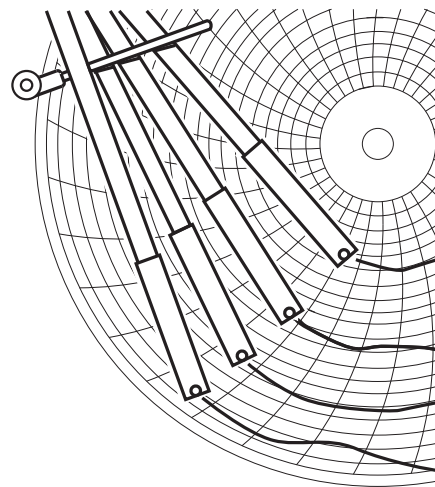
*C1900*

## Charts

		Clearspan PX105 and COMMANDER 1900 K & S			COMMANDER 1900 J & R		
		Chart Number			Chart Number		
Chart Duration		12 hour	24 hour	7 day	12 hour	24 hour	7 day
<b>Range zero-based</b>	0/5		584	1685			
	0/10		537	601			
	0/14		1361			500P1225-61	
	0/30		531	357			
	0/50		514	405		500P1225-77	
	0/60	1418	597	606			
	0/80	659	545				
	0/100	296	510	410	500P1225-96	500P1225-1	500P1225-2
	0/150	1213	564	615			
	0/200		1145	620		500P1225-7	
	0/300		585	1123		500P1225-73	
	0/400			434			
	0/500	1465	550	650			
	0/600			1316			
	0/800	1420		479			
	0/1K2		355				
	0/1K6		1409				
<b>Negative</b>	-100/+100		1246	1210			
	-50/+50		1255	1258			
	-25/+25	493	604	1302			
<b>Positive</b>	20/100		633	923			
	20/120		211				
	50/150		262				
<b>Dual Range</b>	0/40, 20/100	1632		433			

## Pens

Pens	Pt. Number	Colour	Channel
<b>For C1900 (packs of 3)</b>	C1900/0119	Black	One
	C1900/0120	Blue	Two
	C1900/0121	Red	Three
	C1900/0122	Green	Four
	C1900/0123	Violet	Event
<b>For PX105, P105M, TH105 (packs of 5)</b>	P105M/0301	Red	One
	P105M/0302	Green	Two
	P105M/0303	Blue	Three



## Order/Enquiry Form

If the chart range required is not listed, or you would like a quotation, please complete this form and fax it to our Spares Department, on Fax No. (01480) 403875, who will be pleased to offer a quotation. Alternatively you can telephone on (01480) 403875 for assistance.

If the chart is listed and you wish to place an order, photocopy and fax this form to the Fax number given.

<b>Order No.</b>				<b>To: Spares Dept.</b>	
<b>From:</b>				<b>ABB Kent-Taylor Ltd.</b> Howard Road St. Neots Cambs. PE19 3EU <b>Fax. No.</b> 01480 403875	
Chart Duration	Chart/Pens Part No.	Chart Range	Qty. Required	Price Each	Total
Signature:					

## Notes



# Contact us

## **ABB Limited**

### **Process Automation**

Howard Road

St. Neots

Cambridgeshire PE19 8EU

UK

Tel: +44 (0)1480 475321

Fax: +44 (0)1480 217948

## **ABB Inc.**

### **Process Automation**

125 E. County Line Road

Warminster

PA 18974

USA

Tel: +1 215 674 6000

Fax: +1 215 674 7183

[www.abb.com](http://www.abb.com)

## Note

We reserve the right to make technical changes or modify the contents of this document without prior notice. With regard to purchase orders, the agreed particulars shall prevail. ABB does not accept any responsibility whatsoever for potential errors or possible lack of information in this document.

We reserve all rights in this document and in the subject matter and illustrations contained therein. Any reproduction, disclosure to third parties or utilization of its contents in whole or in parts – is forbidden without prior written consent of ABB.

Copyright© 2011 ABB

All rights reserved

3KXR092101R1001