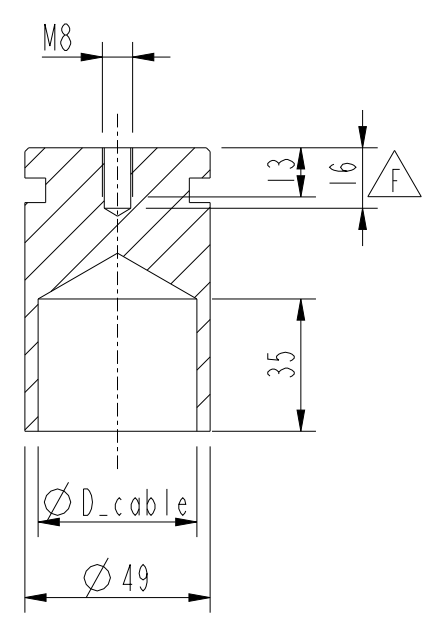
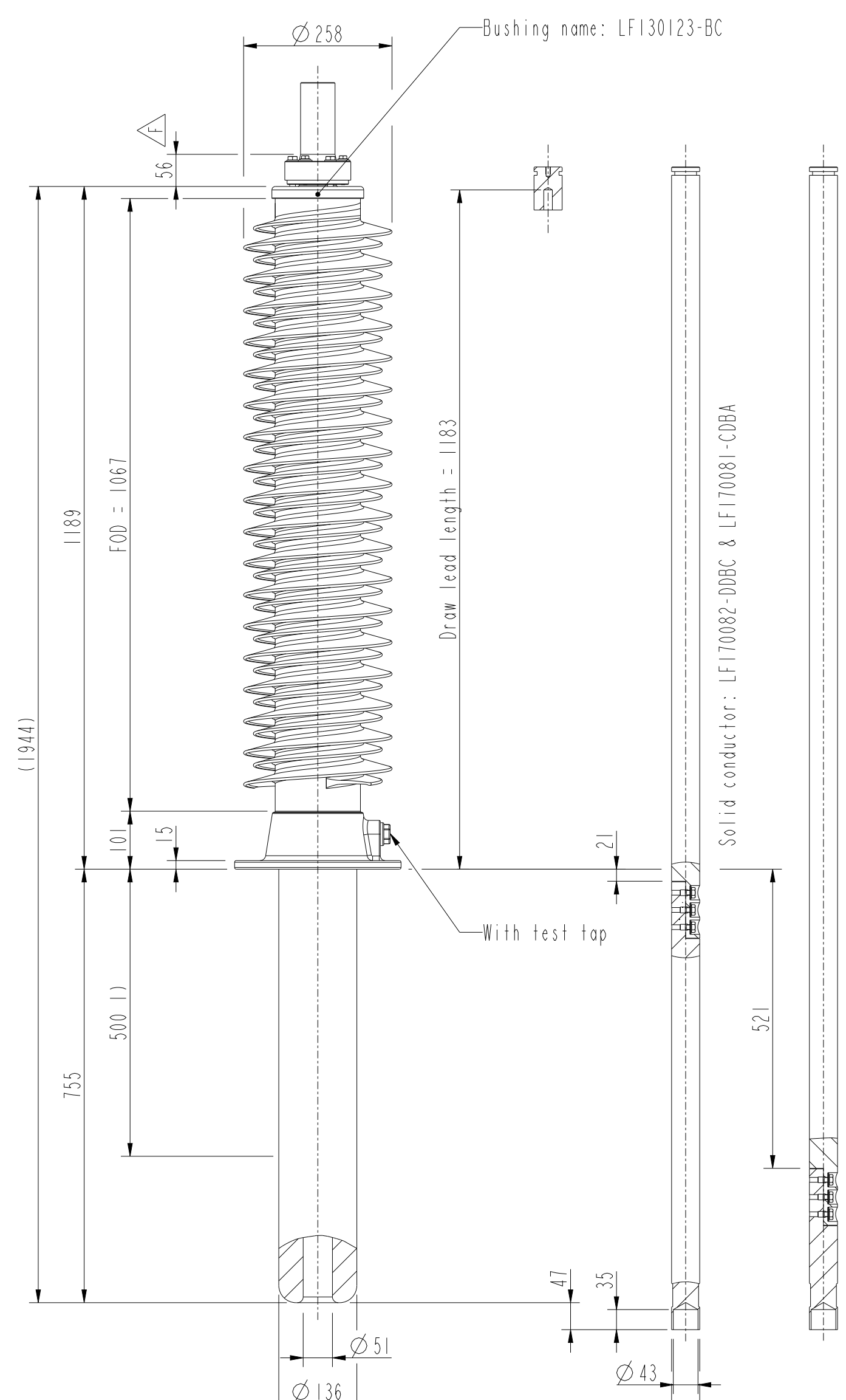


This document is issued by means of a computerized system. The digitally stored original is electronically approved. The approved document has a date entered in the "Approved"-field. A manual signature is not required.

We reserve all rights in this document and in the information contained therein. Reproduction, use or disclosure to third parties without express authority is strictly forbidden.

Revision: Revision text
F Capacitance, ambient temperature, mass, outer terminal & document kind updated

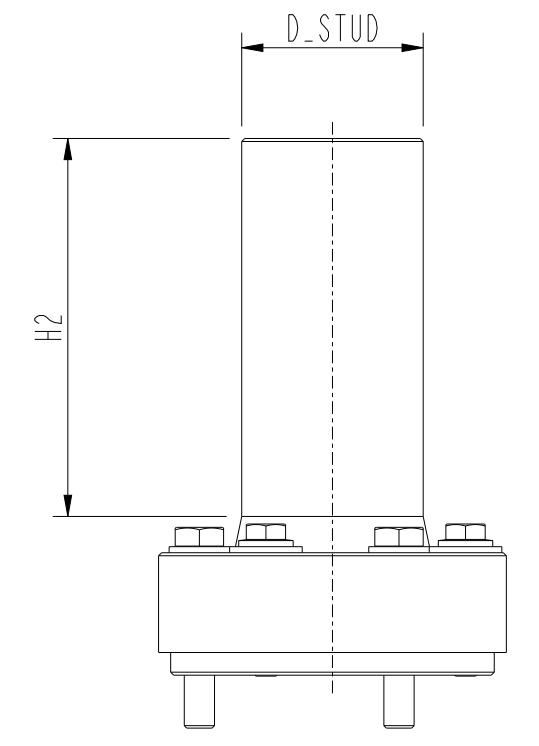


OUTER TERMINAL				
Catalogue No	MATERIAL	MASS	H2	D_STUD
LF170079-A	Al	2,3	125	60
LF170079-B	Al	1,5	125	30
LF170079-C	Cu	6,1	125	60
LF170079-D	Cu	3,6	125	30
LF170079-E	Cu/Sn	6,1	125	60
LF170079-F	Cu/Sn	3,6	125	30
LF170079-G	Cu/Ag	6,1	125	60
LF170079-H	Cu/Ag	3,6	125	30

INNER TERMINAL	
Catalogue No	D_CABLE
LF170080-A	5
LF170080-B	11
LF170080-C	13
LF170080-D	15
LF170080-E	18
LF170080-F	30
LF170080-G	42
LF170080-H	45

SOLID CONDUCTOR	
Catalogue No	MASS
LF170081-CDBA	21,5
LF170081-DBC	29,9

SOLID CONDUCTOR	
Catalogue No	MASS
LF170082-DDBA	3,2
LF170082-DDBC	11,6



ELECTRICAL DATA acc. to IEC 60137			
Ratings	Rated voltage	170	kV
	Rated phase-to-earth voltage	98	kV
	Max. phase to earth voltage, temporary	170	kV
	Max. current with Cu-conductor	1600	A
	Max. current with stranded cable 740 mm ²	1250	A
	Dry lightning impulse	550	kV
Routine test	Wet power frequency	230	kV
	Dry power frequency	260	kV
Capacitance	Nominal capacitance	385	pF

GENERAL DATA			
Silicone rubber insulator	Creepage distance	3913	mm
	Protected creepage distance	1700	mm
	Color	Light grey	ANSI 70
Mass	Bushing	45	kg
Cantilever load	Cantilever test load, according to IEC 60137	4000	N
	Max. cantilever operating load, bushing	2000	N
Ambient air temperature		-50 to +40	°C
Mounting and service instructions		2750515-115	

ELECTRICAL DATA acc. to ANSI C57.19.00			
Ratings	Insulation class	115	kV
	Rated max. line to ground voltage	88	kV
	Max. current with Cu-conductor	1600	A
	Max. current with stranded cable 740 mm ²	1250	A
Dim. requirements acc. to C57.19.1 not fulfilled			

Ludvika, Sweden

GSA 123-OA 1600/0.5 LF130123-BC
No.

Um 170 kV Ir1600 A 50/60 Hz

BIL 550 kV SIL - kV AC 260 kV

M 45 kg L 755 mm √ 0-90°

C1 pF Tan δ x

C2 pF Tan δ x

Approved 2022-05-23	Document Kind Dimension Drawing	Based on doc.id	Work order id	Project id
Company Hitachi Energy Sweden AB	Title, Supplementary title Dimension drawing GSA 123-OA 1600/0.5			
Responsible Department SEABB-9AAE300824	Måttskiss GSA 123-OA 1600/0.5			
ABB	Document id 2751362-DBC	Status Approved	Revision F	Iteration 4
				Sheet 1/1

1) Maximum space for wall and CT.