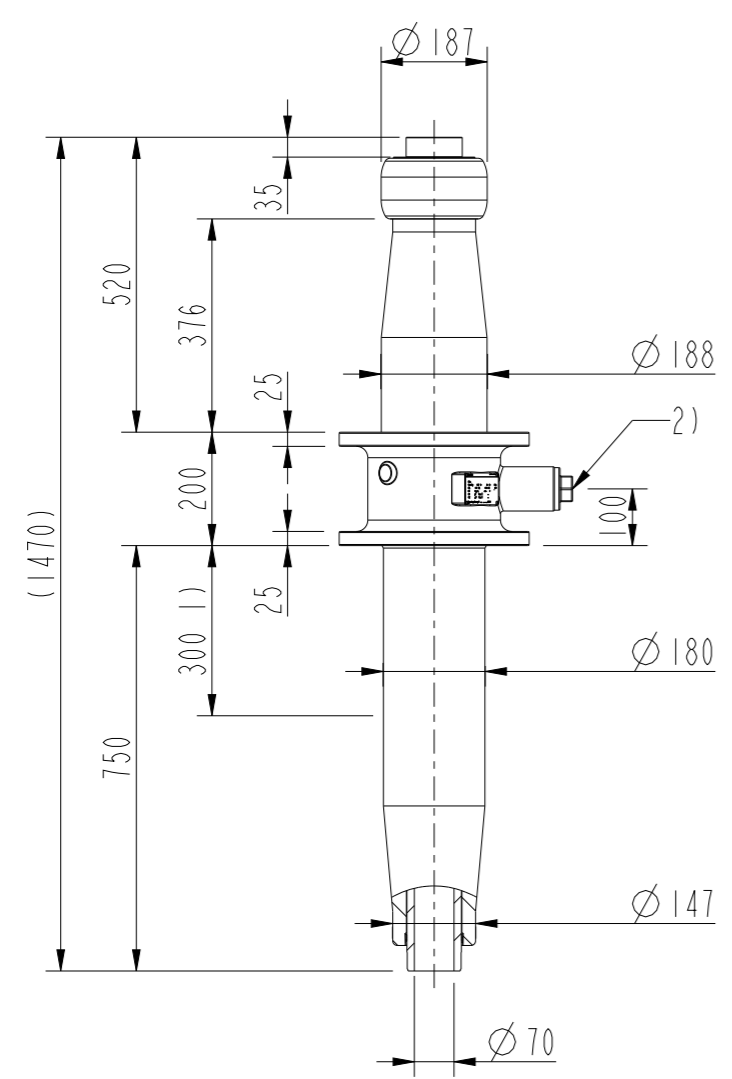


This document is issued by means of a computerized system. The digitally stored original is electronically approved. The approved document has a date entered in the "Approved"-field. A manual signature is not required.

We reserve all rights in this document and in the information contained therein. Reproduction, use or disclosure to third parties without express authority is strictly forbidden.

Revision	Revision text
E	Rated current updated

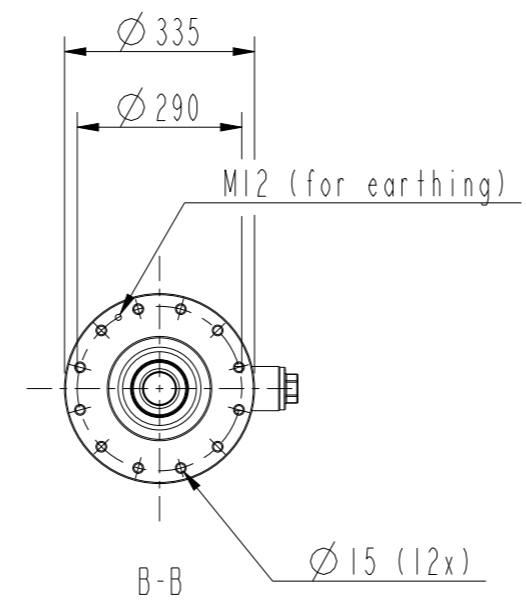
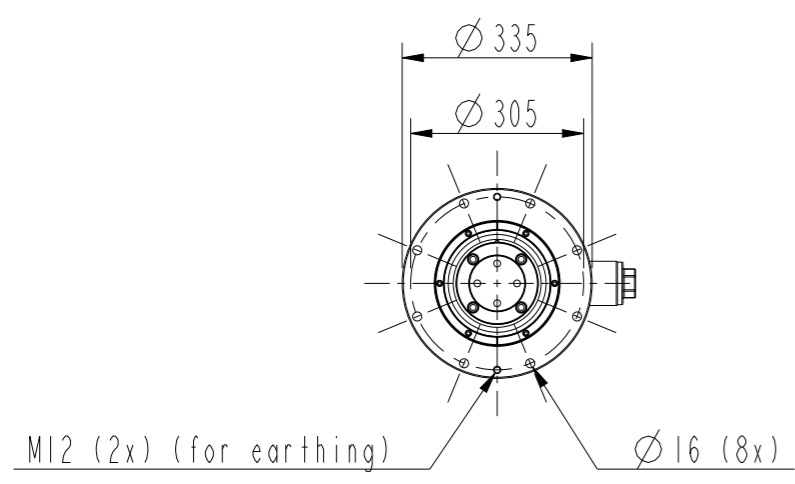
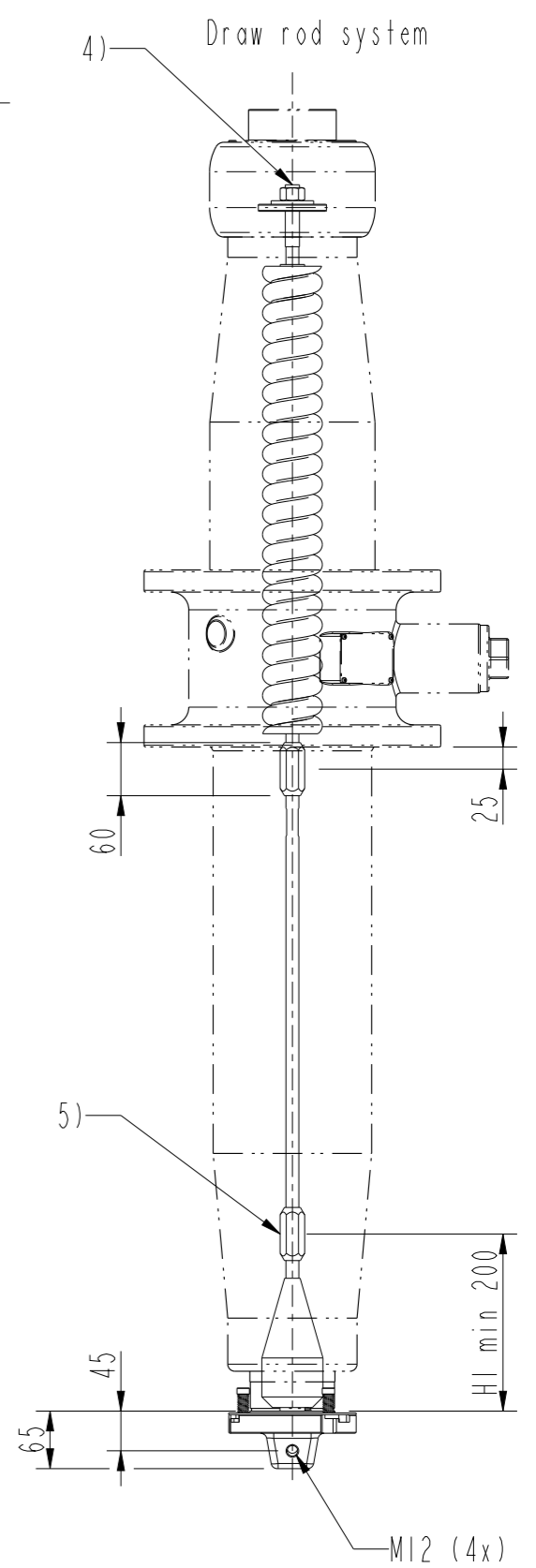
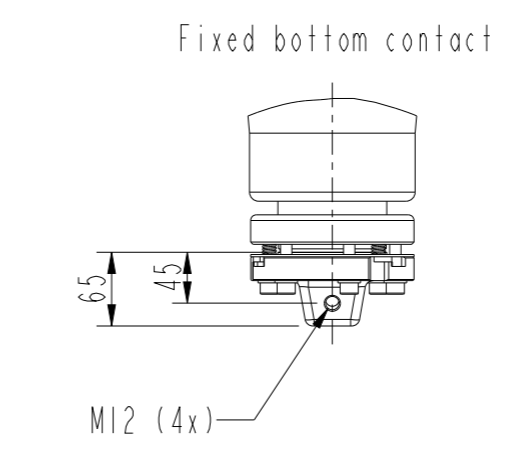
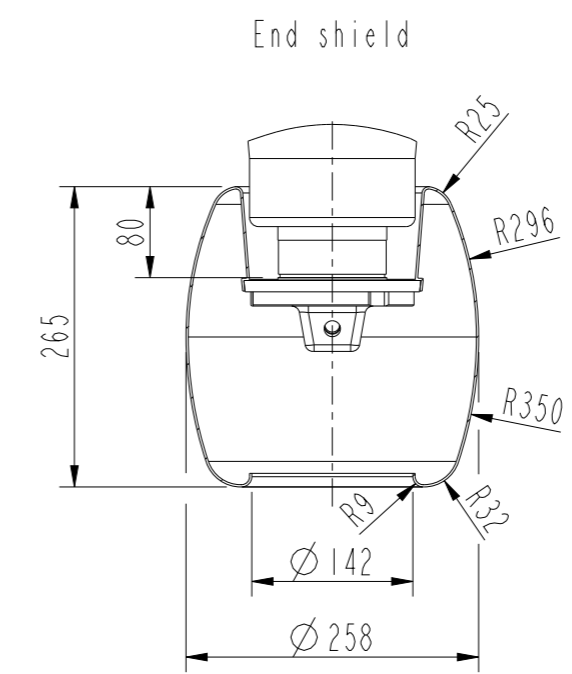
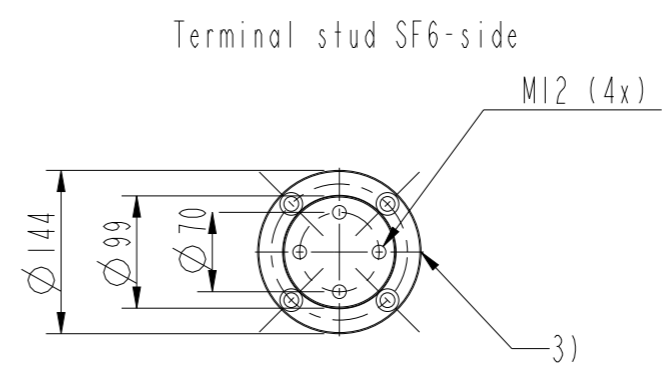


Bushing data:	
Rated voltage	170 kV
Phase-to-earth voltage	98 kV
Lightning impulse	750 kV
Switching impulse	N/A kV
Routine test, 1 min 50 Hz	365 kV
Rated current	2000/3150 A $\triangle E$
Mass	64/93 kg

Ordering data:			
Bushing		Conductor tube	Rated current
I ZSC900170-AAA	Test tap	Al	2000 A $\triangle E$
I ZSC900170-ABA	Voltage tap 6 kV	Al	2000 A $\triangle E$
I ZSC900170-ACA	Test tap	Cu	3150 A $\triangle E$
I ZSC900170-ADA	Voltage tap 6 kV	Cu	3150 A $\triangle E$

Draw rod system	
I ZSC999004	
Fixed bottom contact	
I ZSC999002-AAE	
End shield	
I ZSC999003-AEA	Epoxy insulated
I ZSC999003-AEB	Pressboard insulated

- 1) Maximum length of CT.
- 2) Test tap / Voltage tap
- 3) Test tap / Voltage tap position.
- 4) Threaded hole M8 for pulling wire.
- 5) Additional joints on request.



Approved 2020-11-06	Document Kind Dimension Drawing	Based on doc.id	Work order id	Project id
Company ABB Technology Ltd	Title, Supplementary title Dimension drawing GSBK 170/0.3			
Responsible Department SEABB-9AAE300824	Genomföring GSBK 170/0.3			
ABB	Document id 2753016-1	Status Approved	Revision E	Iteration 2
				Sheet 1/1