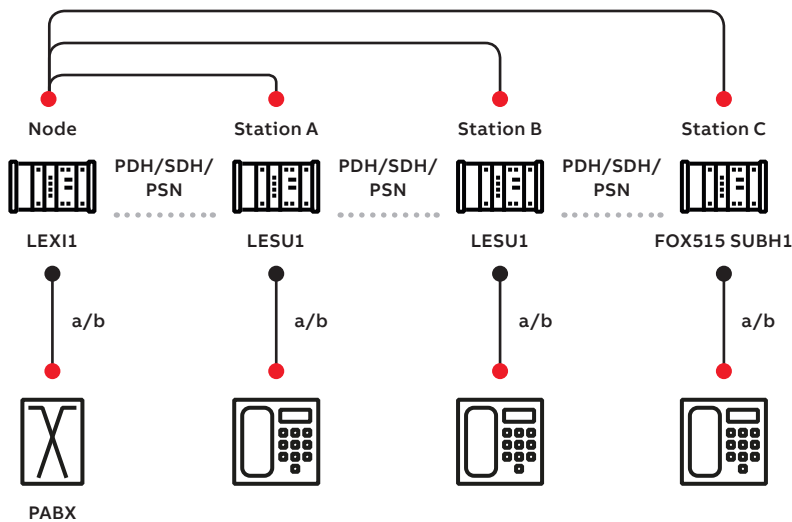


FOX615 LEXI1

POTS unit with 12 Foreign eXchange Office (FXO) ports



Voice communication is one of the most important applications for reliable operation of power grids. Especially during blackout conditions voice communication between control center and substations as well as between substations is required. Typically a limited amount of subscribers from a centralized exchange need to be connected to subscribers in substations.

01 Applications with LEXI1

The POTS FXO unit LEXI1 unit provides up to 12 FXO ports for the connection of remote applications. Its wide range of configurable parameters ensure easy and reliable inter operation with a large variety of exchanges.

With the multi-service capabilities of FOX615, LEXI1 signaling and voice data can be transmitted via PDH, SDH or packet switched networks.

- 12-port FXO 2-wire ports for the connection of remote subscribers
- DTMF and pulse dialing
- CLIP support
- Supports 1+1 path protection
- Configurable voice levels
- Configurable signalling bits
- Configurable line impedance
- All functions from one network management system
- Inter operable with FOX515 SUBHx and PHLCx interface cards

Voice function

LEXI1 converts voice and signaling from the exchange for the digital transmission in the access network and recreates voice and signaling from the digital access network for the analogue exchange interface.

Legacy voice services in a PTN infrastructure

In connection with the circuit emulation unit CEPI1 in FOX615, the LEXI1 supports the transport of legacy voice and signaling data via packet

networks, using one single platform.

Protection functions

LEXI1 supports different protection mechanisms, ensuring that the delivered service persists in case of a failure in subnetworks:

- 1+1 path protection (LTP)
- Subnetwork connection protection (SNCP/I)

Built-in transmission solution

LEXI1, in conjunction with FOX615, provides a complete solution for FXO voice services. With its wide range of available interfaces, the FOX615 can easily be deployed in any type of existing network infrastructure. Voice services provided via LEXI1 can be transmitted to the network using the TDM, SDH, and packet switched (with circuit emulation) transport technologies of the FOX615 platform.

Management system

All modules of FOX615, including a variety of services and applications, are managed centrally by the FOXMAN management system, the network management system for the complete communications portfolio. Easy and intuitive configuration with user dialogues and equipment views is ensured by FOXCAST, the graphical configuration tool. With FOXMAN and FOXCAST systems, utilities can enhance the overall performance of their operational networks, reducing costs and accelerating the circuit provisioning process with only one element manager for all service types.

Technical Data

FXO-Interface	
Number of FXO interfaces	12
Voice and Configuration Parameters	
CLIP	Supported
Input voice level	Configurable
Output voice level	Configurable
Line impedance	Configurable (8 commonly used impedances)
CAS pattern	Configurable for upstream and downstream signaling
Downstream Signaling	
Polarity reversal	Supported
Ringing	Supported
Metering pulse	12 kHz and 16 kHz
Upstream Signaling	
Dialing	DTMF and pulse
On/Off-hook	Supported
Hook flash	Supported
Earth key	Supported
Protection	
1+1 path protection (LTP)	Supported
SNCP/I	Supported
Management	
FOXCST	For local management
FOXMAN-UN	For central management
Power Supply	
Input voltage nominal (min/max)	-48/-60 V DC (-40.5 V DC ... -72 V DC)
Operation Environment	
Temperature range and humidity	According to FOX615 environmental specifications