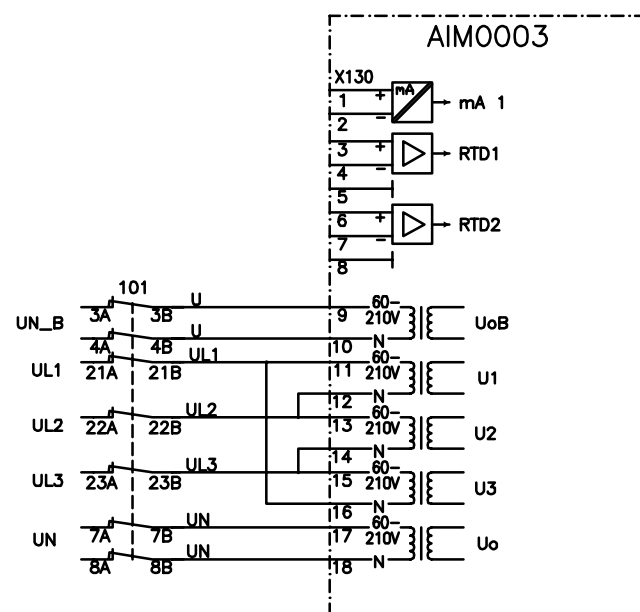
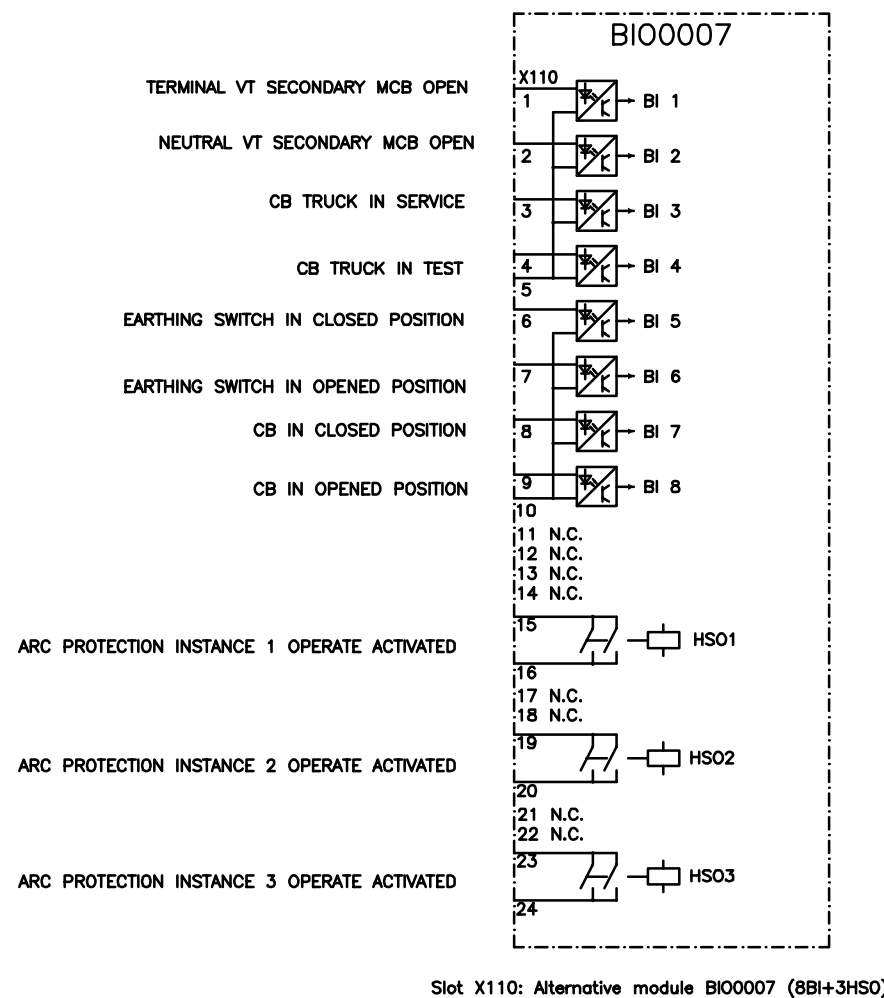


We reserve all rights in this document and in the information contained therein. Reproduction, use or disclosure to third parties without express authority is strictly forbidden. © ABB Oy.



Slot X130: Alternative module AIM0003 (5VT+2RTD+1mA)



Slot X110: Alternative module BIO0007 (8BI+3HSO)

101
TEST SWITCH
RTXP 24
RK 926 315-BB

MUUTOS
REVISION

C
B

TEKI PREPARED 11.02.2015 S.Björklund	LIITTY CONCLUDING		NIMITYS NAME TERMINAL DIAGRAM	
TARKASTI CHECKED Juhani Koivupuro	TOLERANSSIT TOLERANCES		REG615 GENERATOR PROTECTION CONFIGURATION GE03 (C)	
HYVÄKSY APPROVED Tuomo Rintamäki	SUHDE SCALE	PROJ	LEHTI SHEET 2 / 2	
	ABB Technology Ltd.	OSASTO DEPT. RSG	PIIRUSTUS NO DRAWING NO 2RCA035297	PAINOS REVISION A