

14

13

12

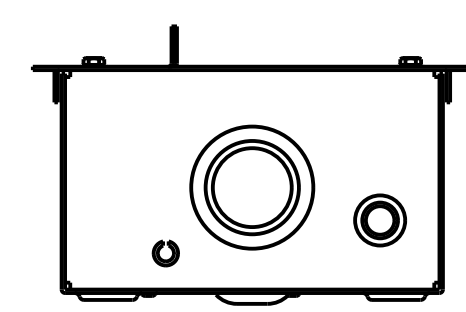
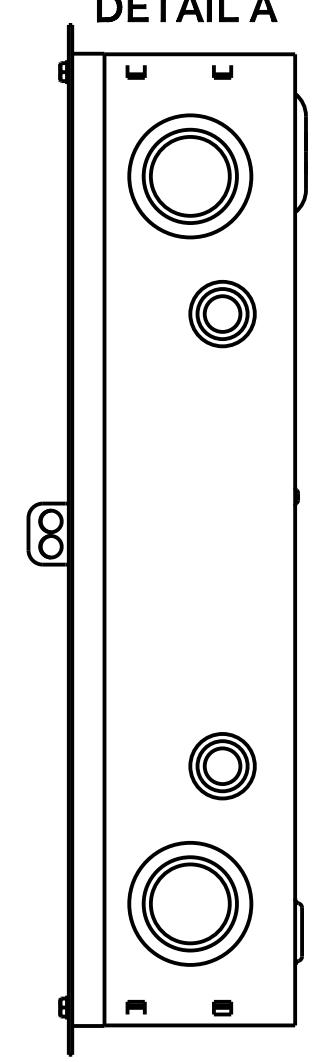
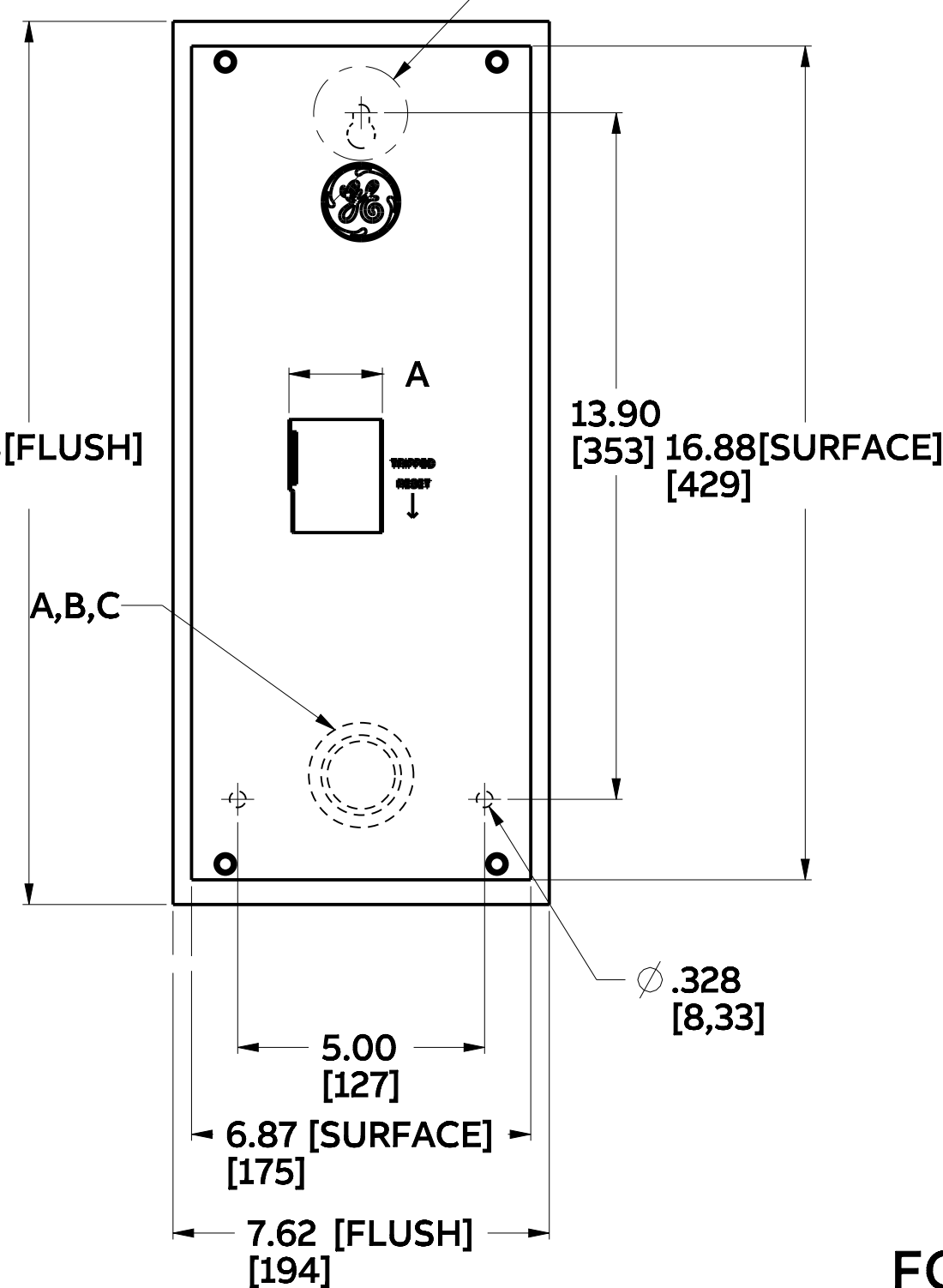
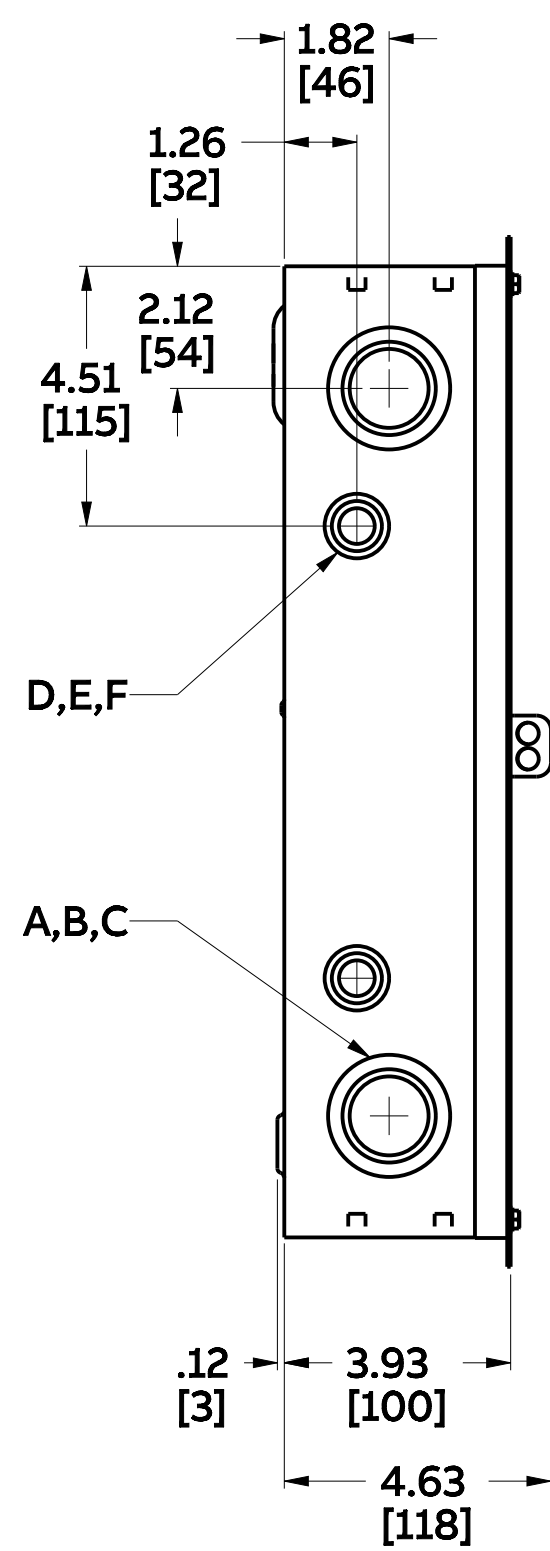
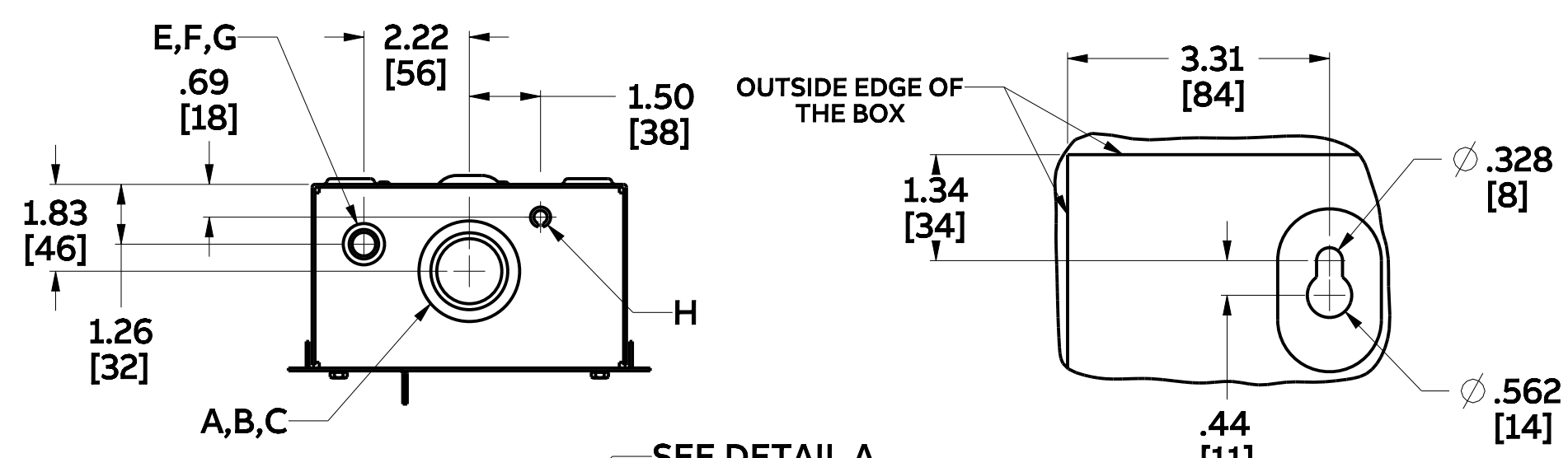
11

CIRCUIT BREAKER TERMINAL LUG DATA			
CIRCUIT BREAKER CAT NO. PREFIX	AMPERE RATING	LUG TYPE	WIRE SIZE (AWG/KCMIL)
THQL, THHQL, THQL THQL-GF, TQLY100	15-60A	INCLUDED	(1)#14-6 CU (1)#12-2 AL
	70-100A	INCLUDED	(1)#4-1/0 CU-AL
	110-125A	INCLUDED	(1)#2-2/0 CU-AL

FIELD INSTALLABLE NEUTRAL ASSEMBLY AND GROUND KIT			
CAT NO. PREFIX	TYPE	AMPERE RATING	WIRE SIZE (AWG/KCMIL)
TGL1	GND KIT	70-125A	(4) #14-8 CU (4) #12-8 AL (3) #14-4 CU (3) #6-4 AL
INCLUDED	NEUTRAL ASM	15-125A	(1) #14-2/0 CU (1) #12-2/0 AL

CAT NO.	A
TQL100F&S	2.93
TQL125F&S	1.86

SYMBOLS	KNOCKOUTS			
	CONDUIT SIZE		DIAMETER	
	IN	MM	IN	MM
A	2	51	2 1/2	64
B	1 1/2	38	2	51
C	1 1/4	32	1 3/4	45
D	1	25	1 3/8	35
E	3/4	19	1 1/8	29
F	1/2	13	7/8	22
G	3/8	9	3/8	9
H	9/32	7	9/32	7



FOR USE WITH 15-125A ABB TYPE
THQL, THHQL, THQL-GF
TXQL & TQLY100 DEVICES

DUAL DIMENSIONS INCHES
[MILLIMETERS]

- NOTES:
1. MATERIAL: LOW CARBON STEEL
 2. FINISH: ELECTROCOAT ENAMEL, GRAY
 3. AGENCY APPROVAL: cULus LISTED -FILE E11592
 4. SUITABLE FOR USE AS SERVICE EQUIPMENT WHEN NEUTRAL ASSEMBLY IS INSTALLED
 5. THE SHORT CIRCUIT RATING OF THIS ENCLOSED CIRCUIT BREAKER IS EQUAL TO THE INTERRUPTING RATING, AT THE SUPPLY VOLTAGE MARKED ON THE CIRCUIT BREAKER INSTALLED
 6. CONSULT BUYLOG FOR ALTERNATIVE LUGS

	Industrial Solutions	
	OUTLINE DRAWING - NEMA TYPE 1 ENCLOSURE TQL100F, TQL100S, TQL125F & TQL125S	
DWG NO. 139C5651SH2	DATE 04/20	REV 3

THIRD ANGLE	SHEET 1
	1 of 1

14

13

12

11