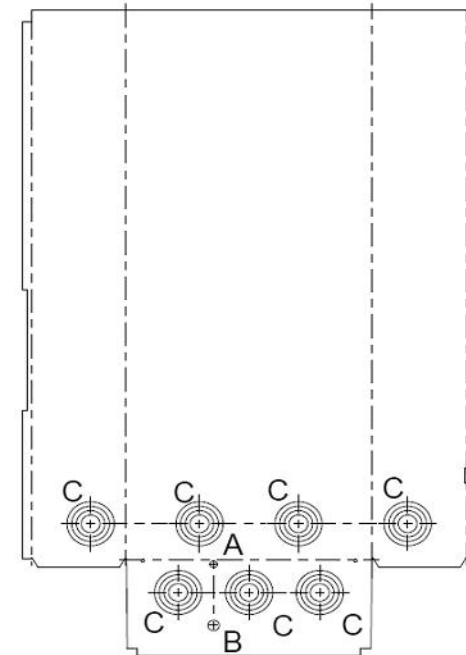
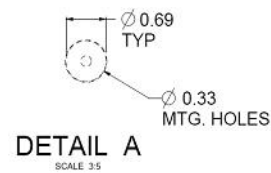
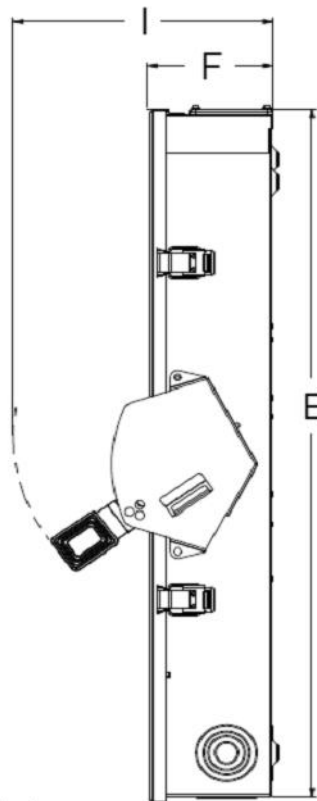


SEE DETAIL A



DIMENSION TABLE

GCAT NO.	A	B	C	D	E	F	G	H	I
TH3224R									
TH3364R									
TH4364RC									
THN3364R	31.73	13.43	14.32	13.31	31.44	5.35	27.18	11.27	9.50
TH4324R									
THN3364RA64D									
TH4364R									

KNOCKOUT TABLE

SYM	SIZE	QTY
A	9/32 KO	1
B	1/2 KO	1
C	1 X 1-1/2 X 2 X 2-1/2 KO	7

NOTE:
 1. ALL DIMENSIONS ARE IN INCHES.
 2. ALL DIMENSIONS HAVE ± 0.125 TOLERANCE.



Industrial Solutions

—
by ABB

OUTLINE DRAWING-HEAVY DUTY SAFETY SWITCH
 200A, NEMA TYPE - 3R

THIRD ANGLE	SHEET#
	1 of 1

DWG NO.	10103091SH182
---------	---------------

DATE	08/19
------	-------

REV	03
-----	----