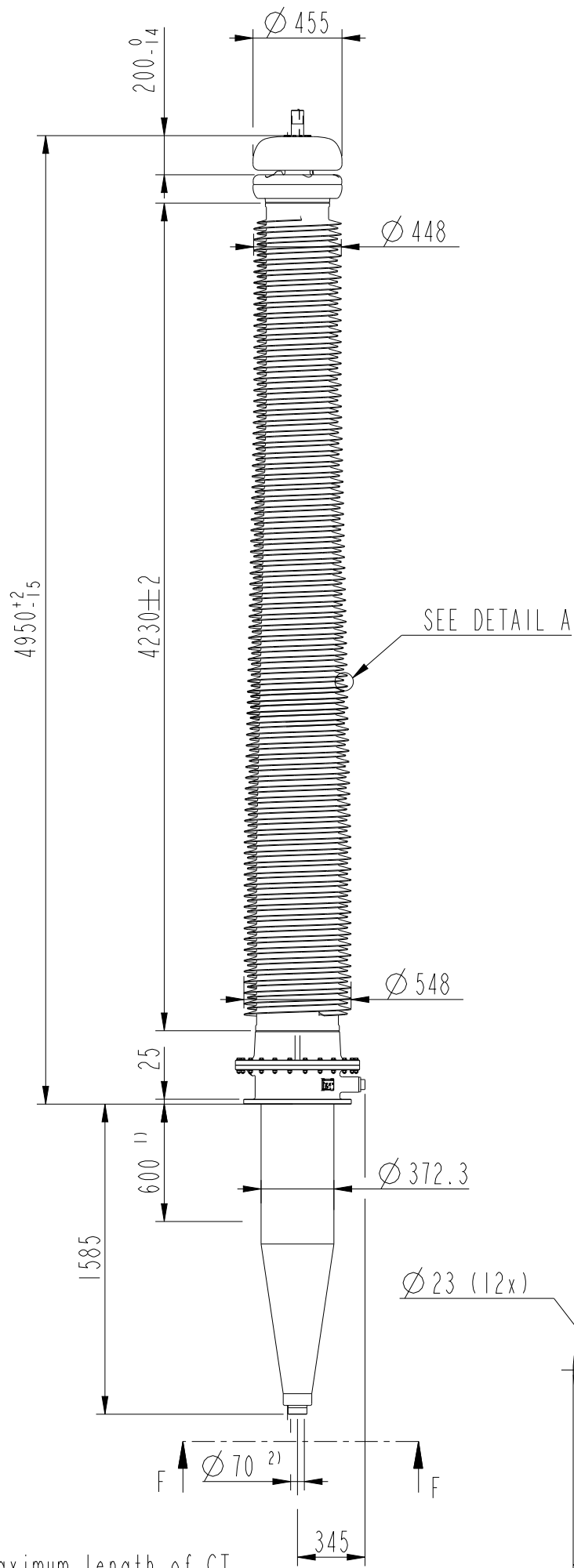


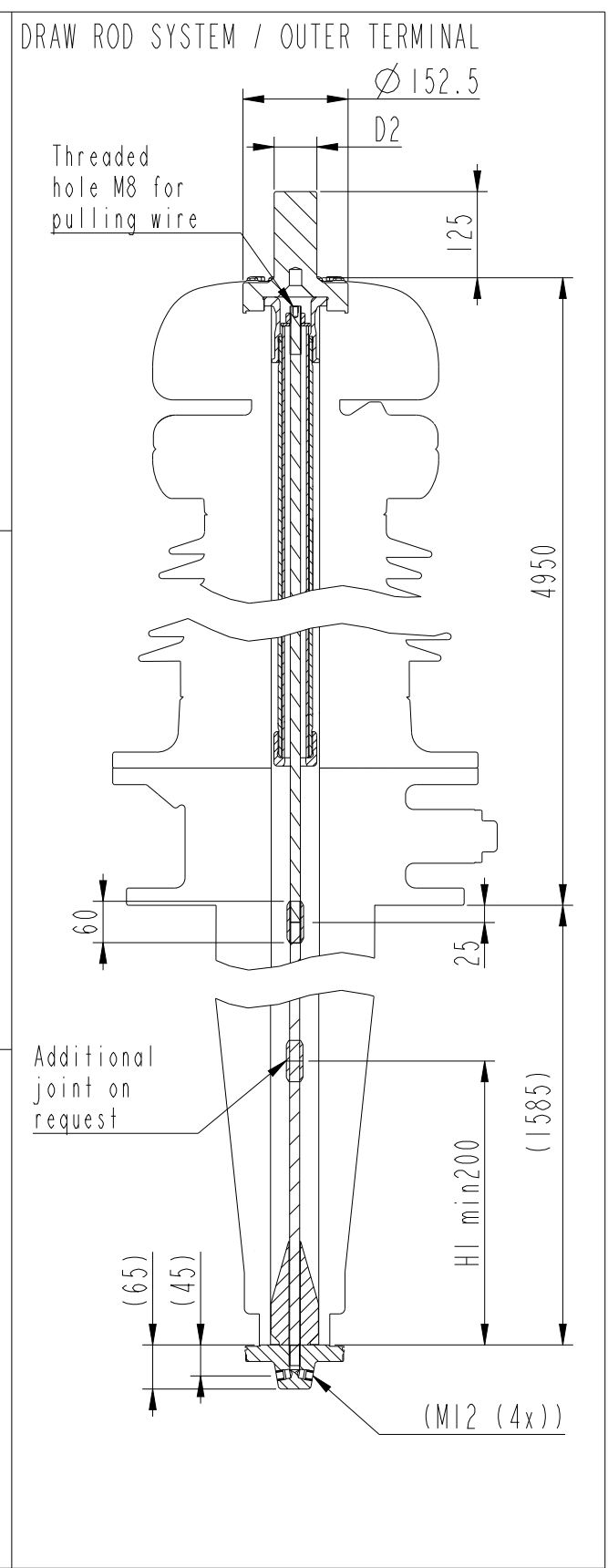
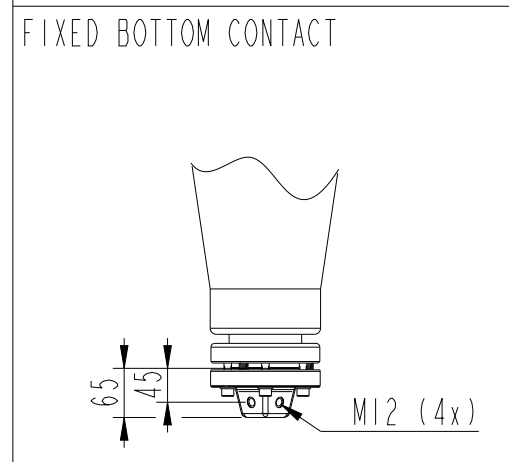
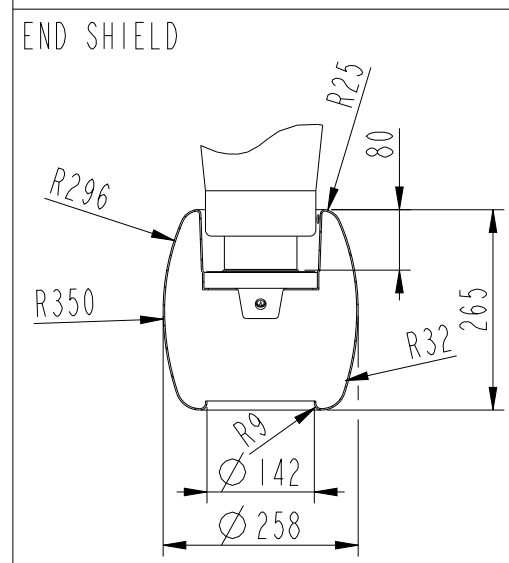
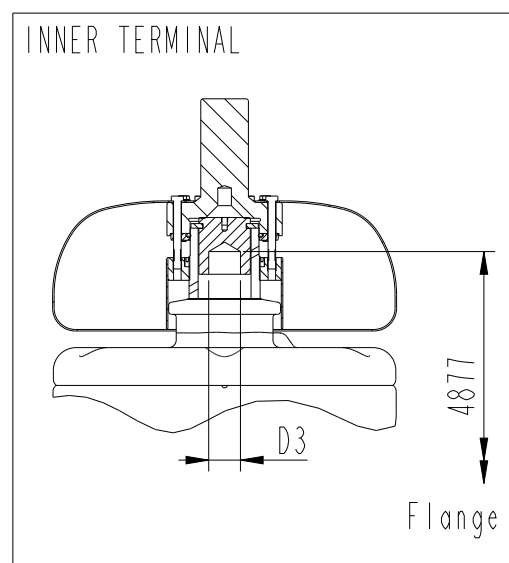
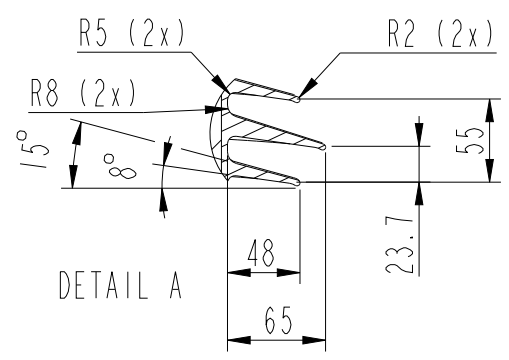
This document is issued by means of a computerized system. The digitally stored original is electronically approved. The approved document has a date entered in the "Approved"-field. A manual signature is not required.

The information contained in this document has to be kept strictly confidential. Any unauthorized use, reproduction, distribution or disclosure to third parties are strictly forbidden. ABB reserves all rights regarding Intellectual Property Rights. © Copyright 2013 ABB. All rights reserved.



Bushing Data:		
Rated Voltage	550	kV
Phase-to-earth Voltage	318	kV
Dry Lightning Impulse 1,2/50µs	1675/1800	kV
Wet Switching Impulse	1300	kV
Wet Power frequency AC	n.a.	kV
Routine test Imin dry 50Hz	750	kV
Rated Current	2500	A
Creepage Distance, nominal	19242	mm
Creepage Distance, minimum	18755	mm
Mass	1015	kg

Ordering Data:			
BUSHING	BIL:1675kV	BIL:1800kV	AIR INSULATOR TYPE
IZSC901550	-CCB	-FCB	Test tap Composite
IZSC901550	-CDB	-FDB	Voltage tap 6kV Composite
OUTER TERMINAL	MATERIAL		D2 (mm)
IZSC999001-AAA	Al		30
IZSC999001-AAB	Al		60
IZSC999001-AAC	Cu		30
IZSC999001-AAD	Cu		40
DRAW ROD SYSTEM			
IZSC999006	Lower draw rod		
IZSC999007	Upper draw rod		
INNER TERMINAL			D3 (mm)
IZSC999005-AAA			15
IZSC999005-AAB			30
IZSC999005-AAC			40
IZSC999005-AAD			42
FIXED BOTTOM CONTACT			
IZSC999002-AAE			
END SHIELD			
IZSC999003-AEA	Epoxy insulated		
IZSC999003-AEB	Pressboard insulated		



1) Maximum length of CT
2) Center hole

Prepared	Björn Edberg	2015-06-11	Responsible department	PPCO/BK	Title GSB 550/2500/0.6 Cu	Language 82
Modified by	Björn Edberg	2015-06-15	Take over department			
Approved by	Johan X Eriksson	2015-06-15	Used in product			
Revision	E	Mass	Order		Sheet no.	1
Document no.					2751377-20	No. Shits. (1)

