

14

13

12

11

D

D

C

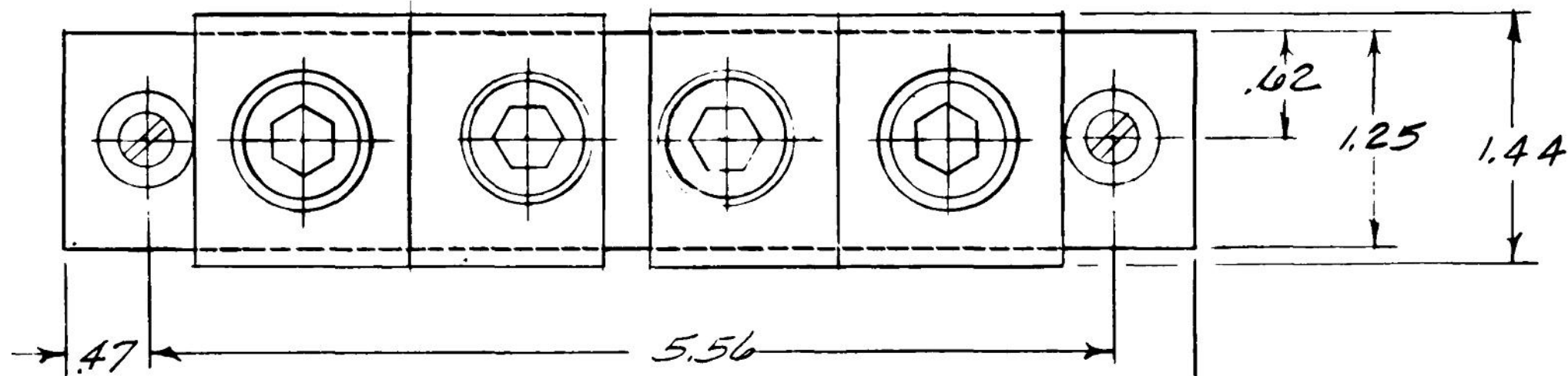
C

B

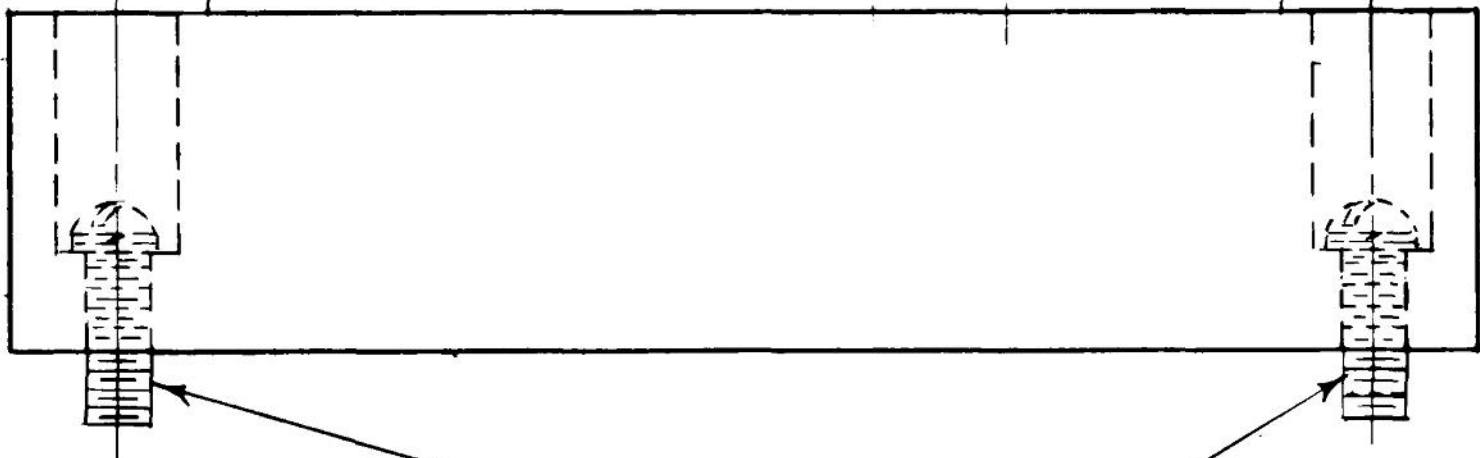
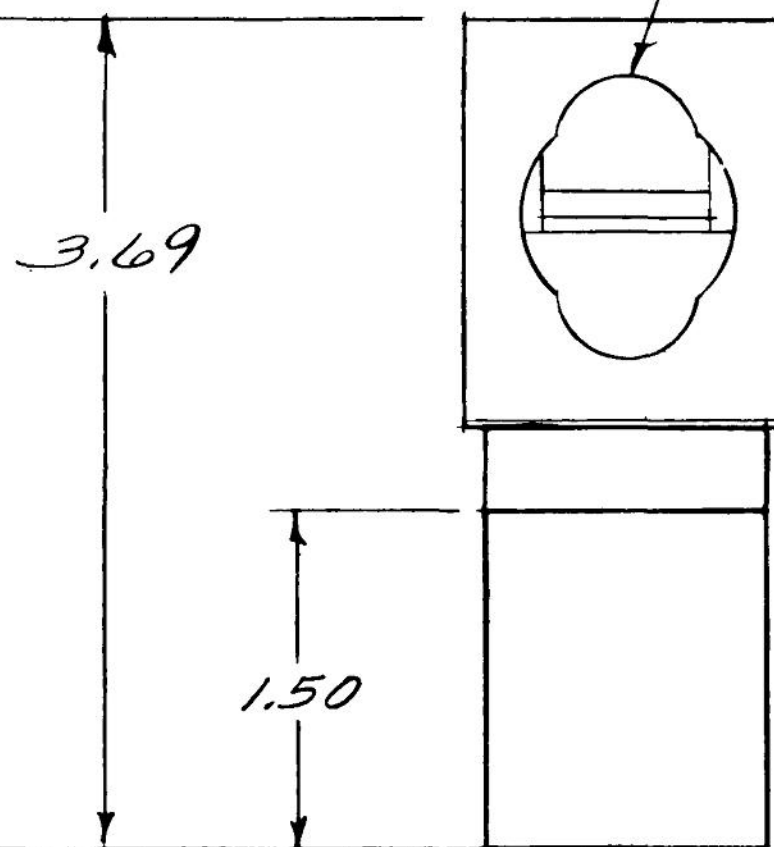
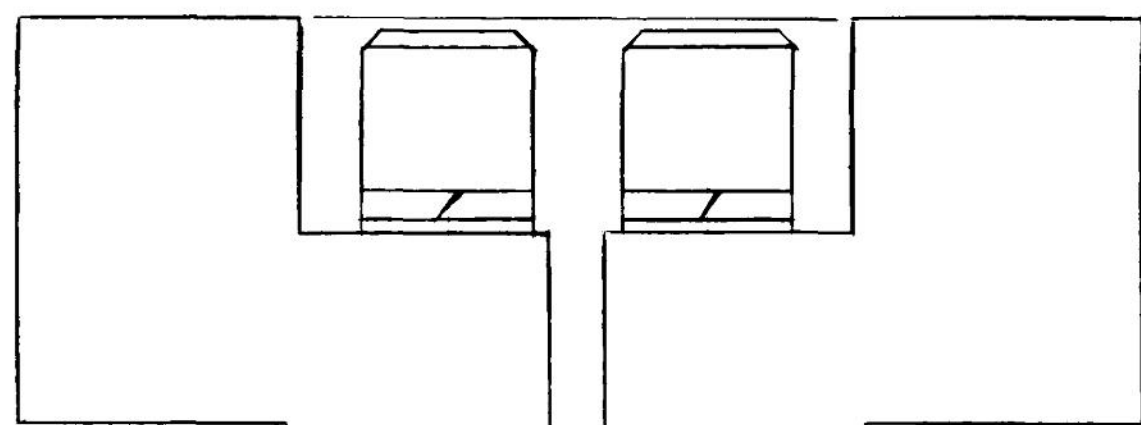
B

A

A



WIRE SIZE: (2) 1/0-250MCM CU-AL  
(1) 4-600MCM CU-AL



MOUNTING HARDWARE  
(2) #12-24 X .75 LG SCREWS  
(2) BLOCK WASHERS  
(2) #12 FLAT WASHERS

<b>ABB</b>				
OUTLINE NEUTRAL FIRST MADE FOR TNIA1200 MOD 8				
THIRD ANGLE	SHEET#	DWG NO.	DATE	REV
	1 of 1	139C5484SH1	05-Feb-23	E

14

13

12

11