

18

17

16

15

14

13

12

11

D

D

C

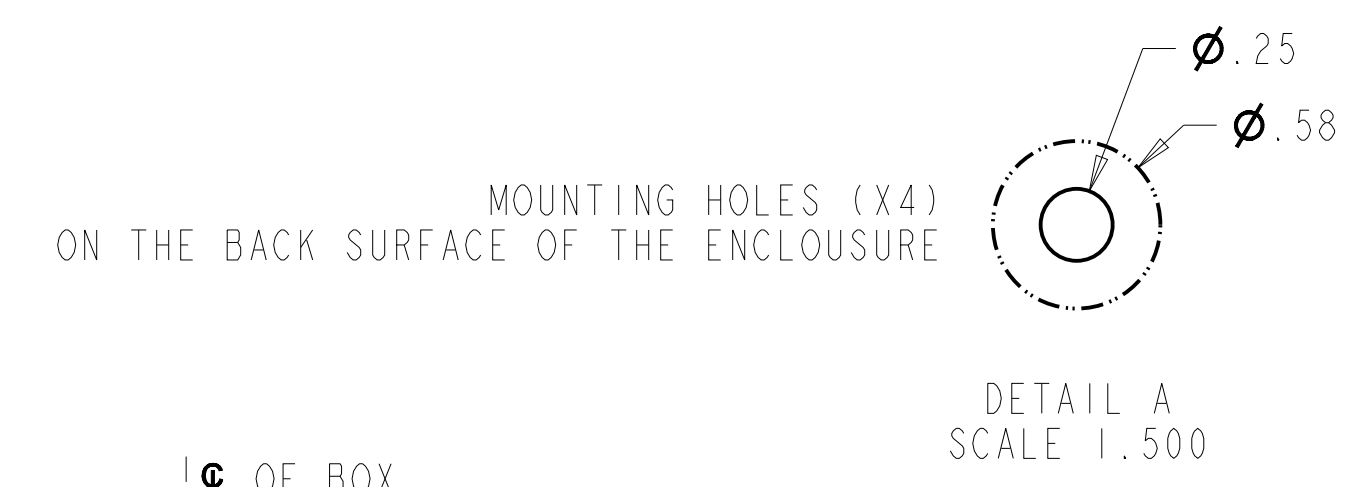
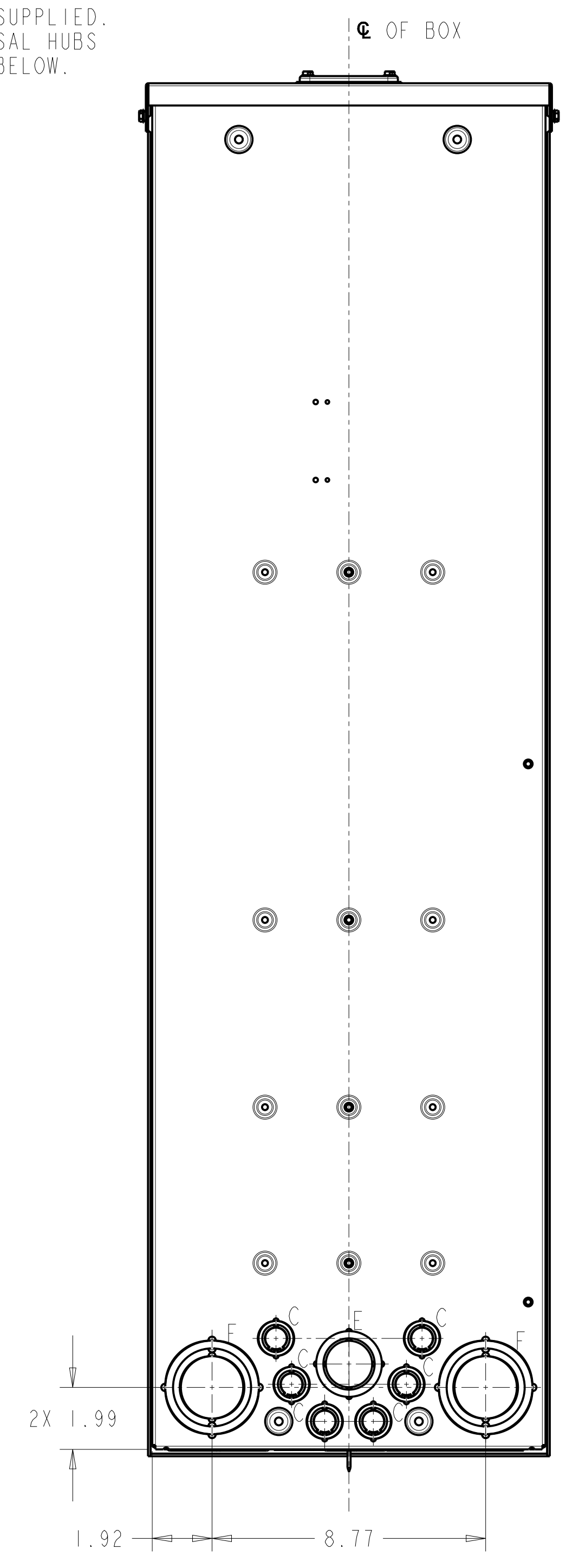
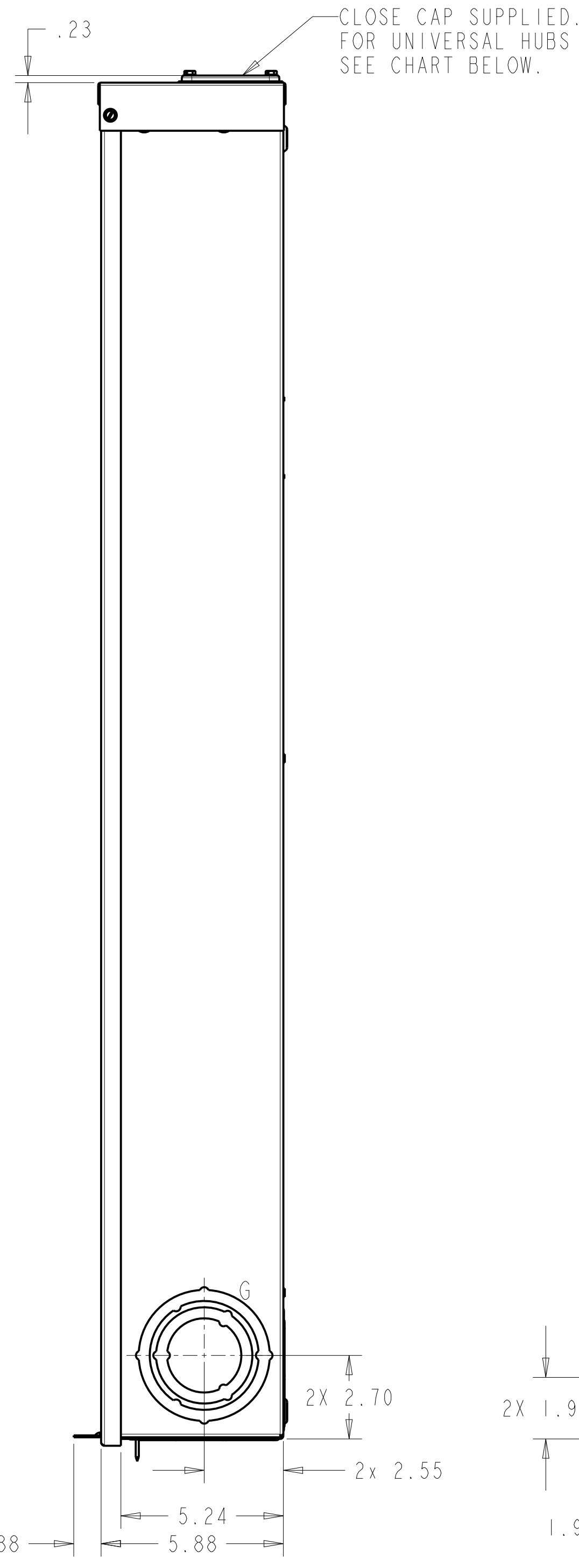
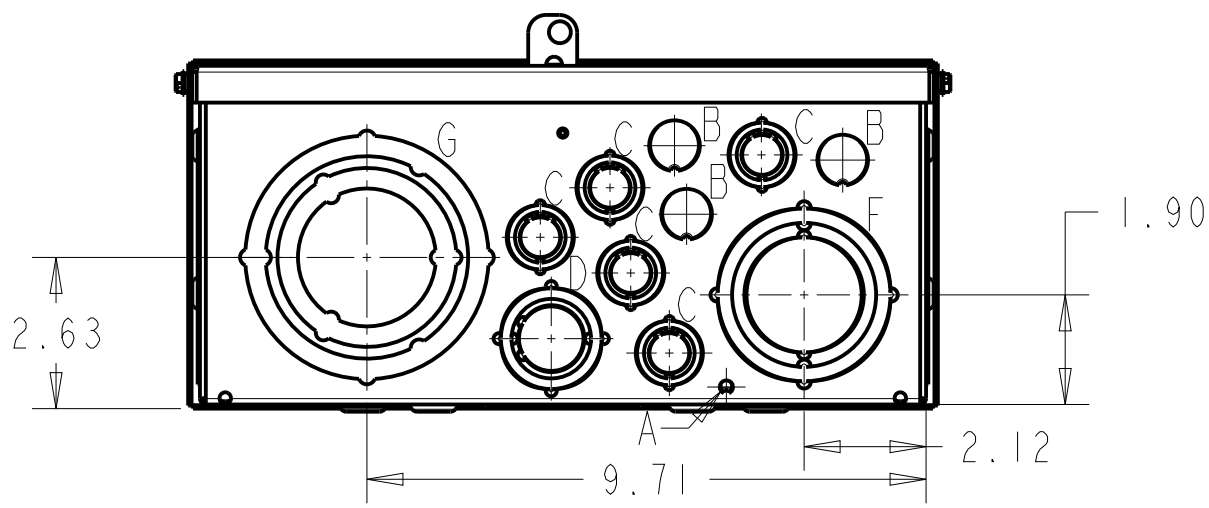
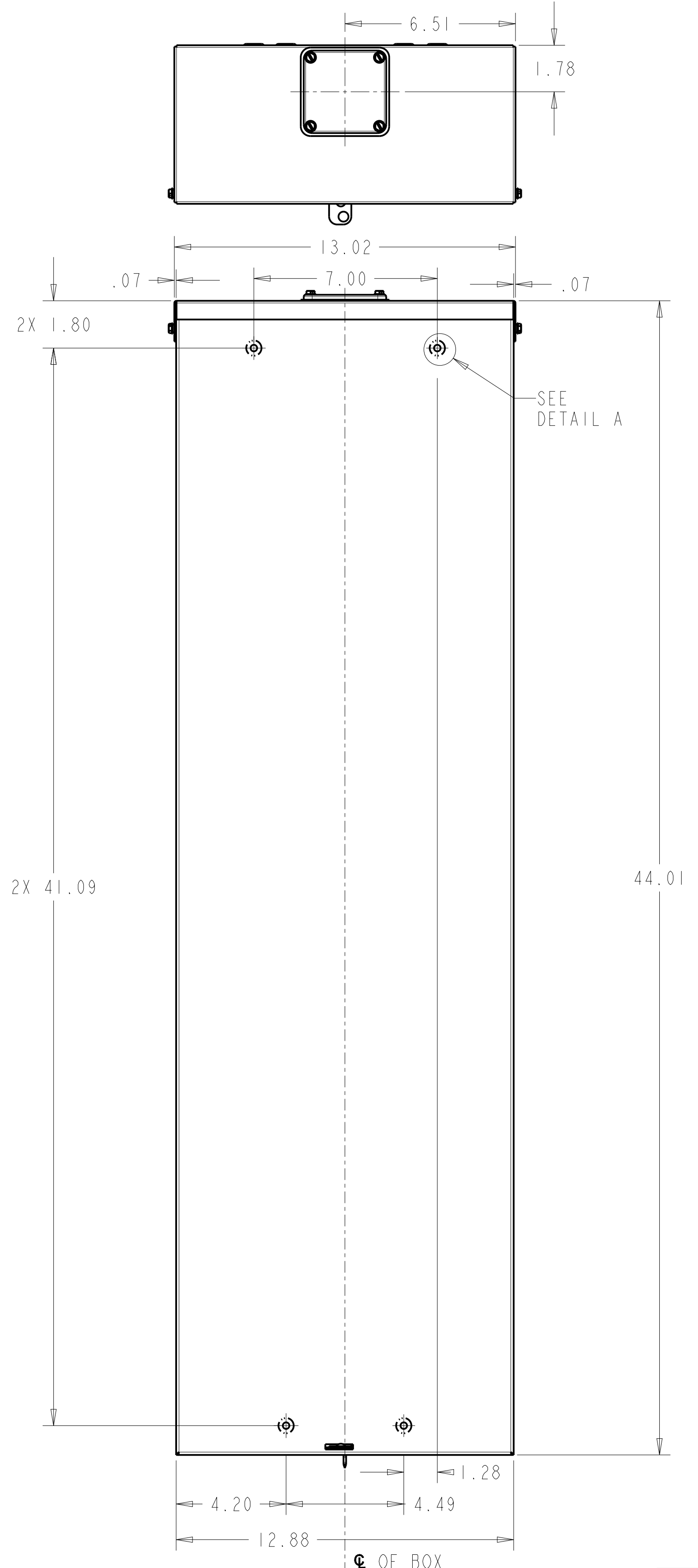
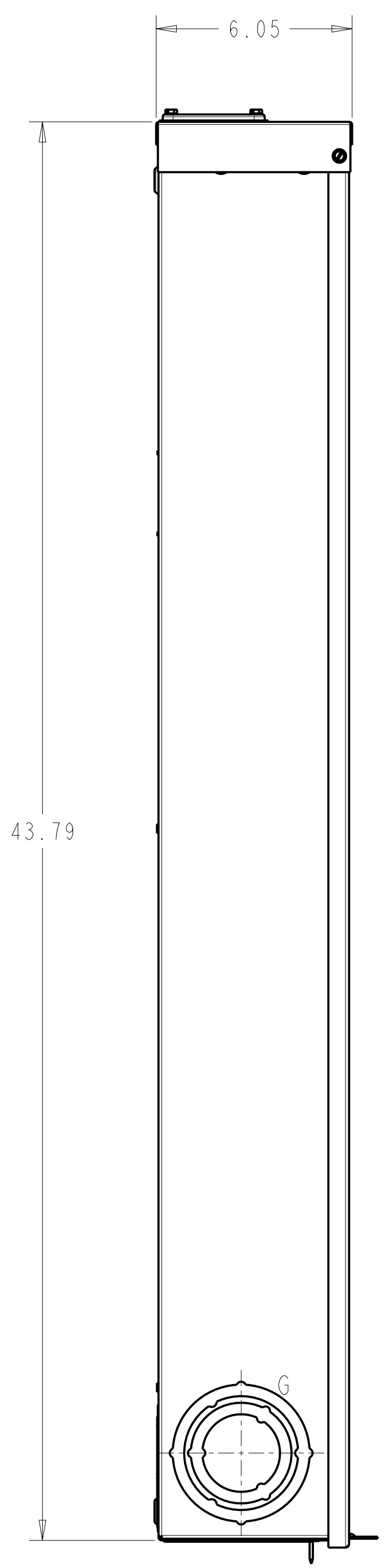
C

B

B

A

A



UNIVERSAL HUB	
CONDUIT SIZE	CATALOG NO.
3/4	TC75
1	TC100
1 1/4	TC125
1 1/2	TC150
2	TC200
2 1/2	TC250
CLOSING CAP	TCCP

CAT. NO.	MODEL
TMC42420R	2
TM42420R	4

SYMBOL	SIZE	QTY.
A	9/32 KO	1
B	1/2 KO	3
C	1/2 X 3/4 KO	11
D	1/2 X 3/4 X 1 X 1 1/4 KO	1
E	1 X 1 1/4 X 1 1/2 KO	1
F	1 X 1 1/2 X 2 X 2 1/2 KO	3
G	2 X 2 1/2 X 3 X 3 1/2 KO	3

THIRD ANGLE	SHEET#
	1 of 1

ALL DIMENSIONS HAVE +/- .125 TOLERANCE

ABB

RAINPROOF LCTR 3PH 4W 200A
RAINPROOF ASM ENCLOSURE (43.69)

DWG NO.	DATE	REV
10103091SH283	Apr-25-22	1

18

17

16

15

14

13

12

11