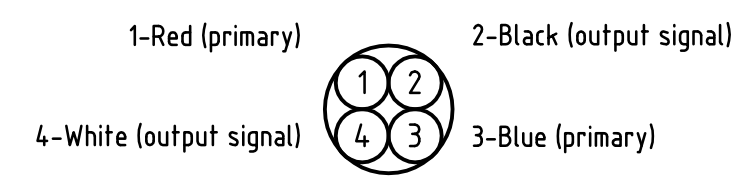


We reserve all rights in this document and in the information contained therein. Reproduction, use or disclosure to third parties without express authority is strictly forbidden.
© ABB AB

IMPORTANT!

Core order along no. 4



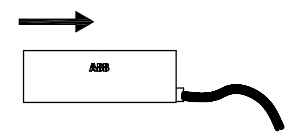
If cable no. 4 is lengthened it is important to keep core order.

IP20:
Power Supply 24 (18-36) VDC
Signal earth (0V) connected to Tension Electronics metal plate
Cable Shields should be connected to earth close to the Tension Electronics

IP65:
Power Supply 100 (-15%) to 240 (+10%) VAC or 24 VDC
Signal earth (0V) connected to earth bar inside the unit
Cable Shields should be connected to earth bar inside the unit

Increased Force in the direction of the arrow results in a positive output signal change.

PFTL101AER
PFTL101BER

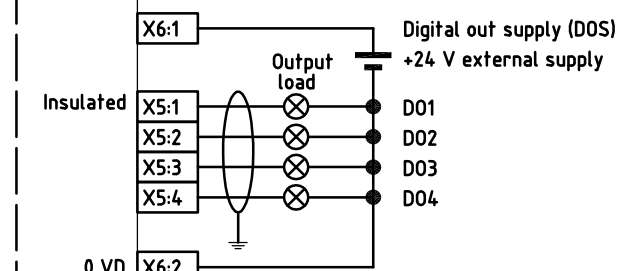
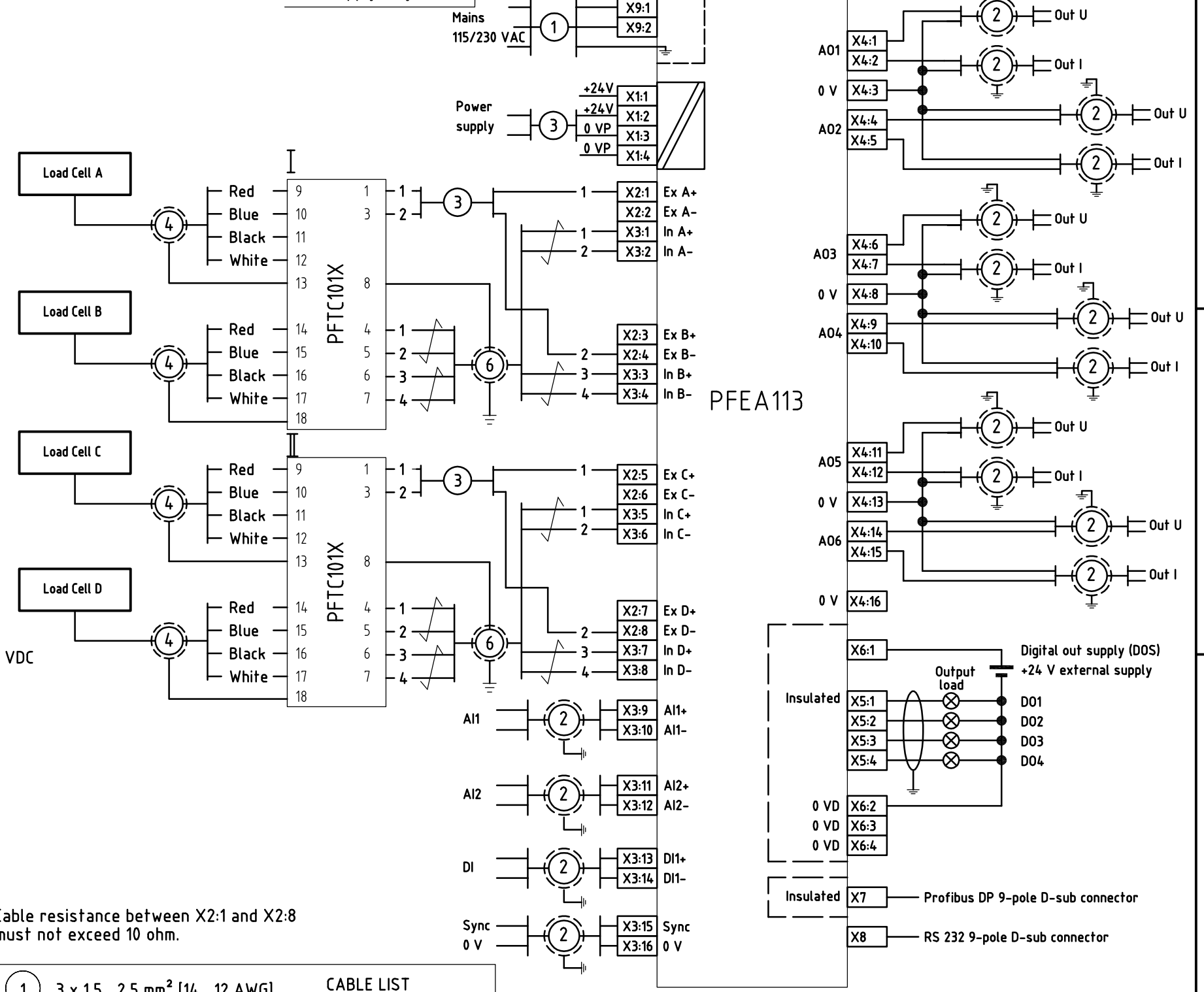


For inversely applied Force swap X3:1&2 and X3:3&4 and X3:5&6 and X3:7&8 respectively, to get a positive output signal change.

Cable resistance between X2:1 and X2:8 must not exceed 10 ohm.

CABLE LIST	
1	3 x 1,5...2,5 mm ² [14...12 AWG]
2	2 x 0,4...1 mm ² [22...18 AWG] —Shielded
3	2 x 1,5...2,5mm ² [14...12AWG]
4	4 x 1,0 mm ² [18 AWG] —Shielded, fixed with Load Cell
6	2 x 2 x 0,5 mm ² [20 AWG] —Shielded twisted pair

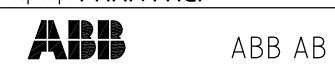
Mains supply only IP65



Removed Load Cell (s)	Connect shorting wire in PFTC101 at
A	I 9 & 10
B	I 14 & 15
C	II 9 & 10
D	II 14 & 15

REV	DESCRIPTION	DATE	DEPT./INIT.
D	Sh.7 added.	2013-06-04	PAFM/GS/MS
C	Instruction for single load cell application adjusted.	2007-04-18	PA/FM/GF/ZR
B	X1:2 +24V was 0 VP; X1:3 and X1:4 added.	2002-12-16	ATCF/FM/GB/MSS
A	New document	2002-11-28	ATCF/FM/GB/MSS

Prep.	PAMP/FMFA	Birgitta Johansson	2013-06-04
Appr.	PAMP/FMGS	Fredrik Norlund	2013-06-20
Resp.dept	PAMP/FMGF		



Cable diagram		Cont.sh./No of sh.
Tension Electronics PFEA113		
Tension Electronics PFEA113		5/7
Document number	Lang.	Rev.
3BSE028144D0065	en	D
Sheet		4

Product family : 661230 Bansk. mätare PRT100
Product type designation : PFEA100
Product information :

Project or order number :
Customer reference :
Modify date : 2013-06-04 12:52:20

Document status : Approved