
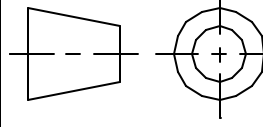
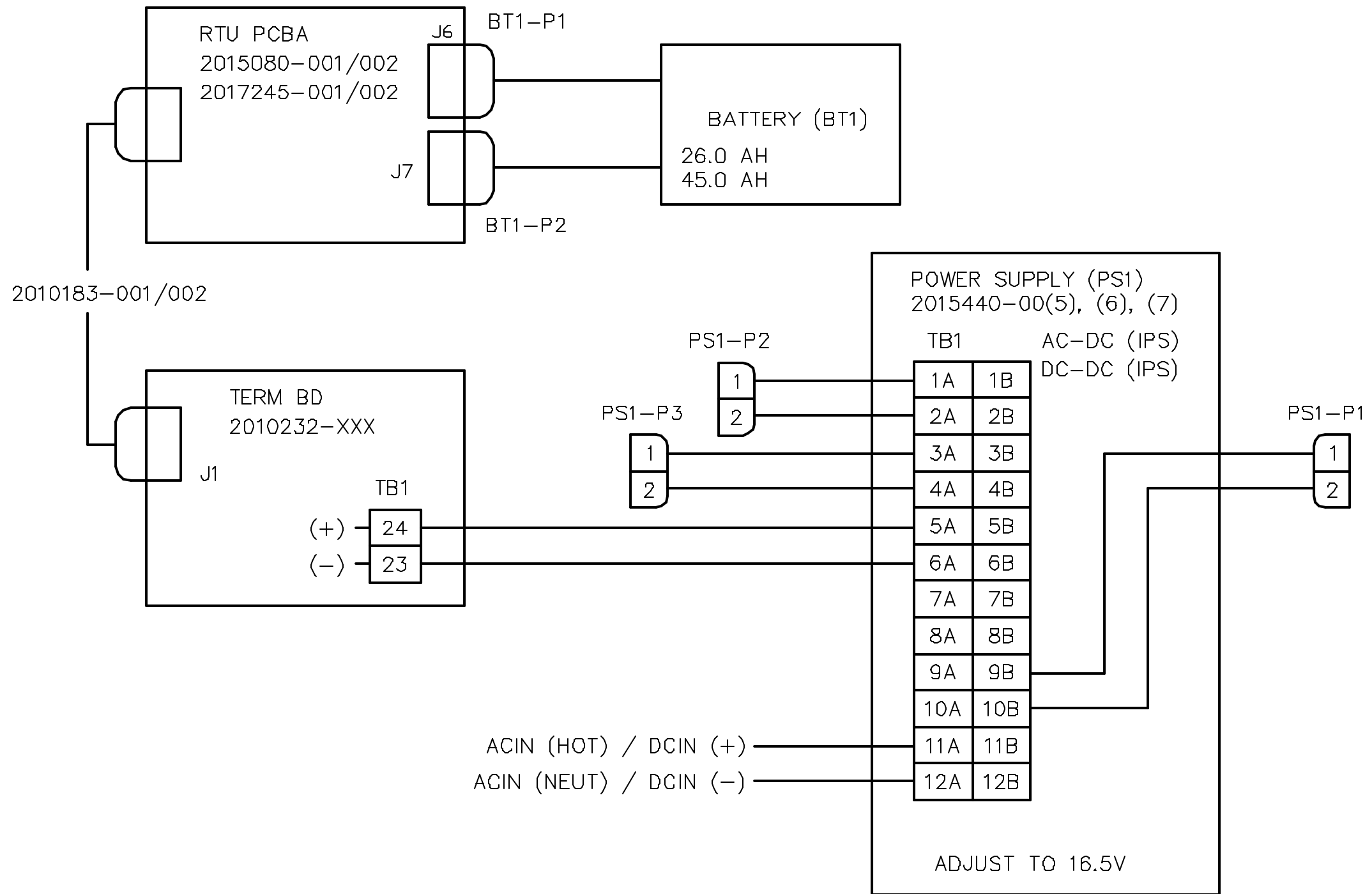
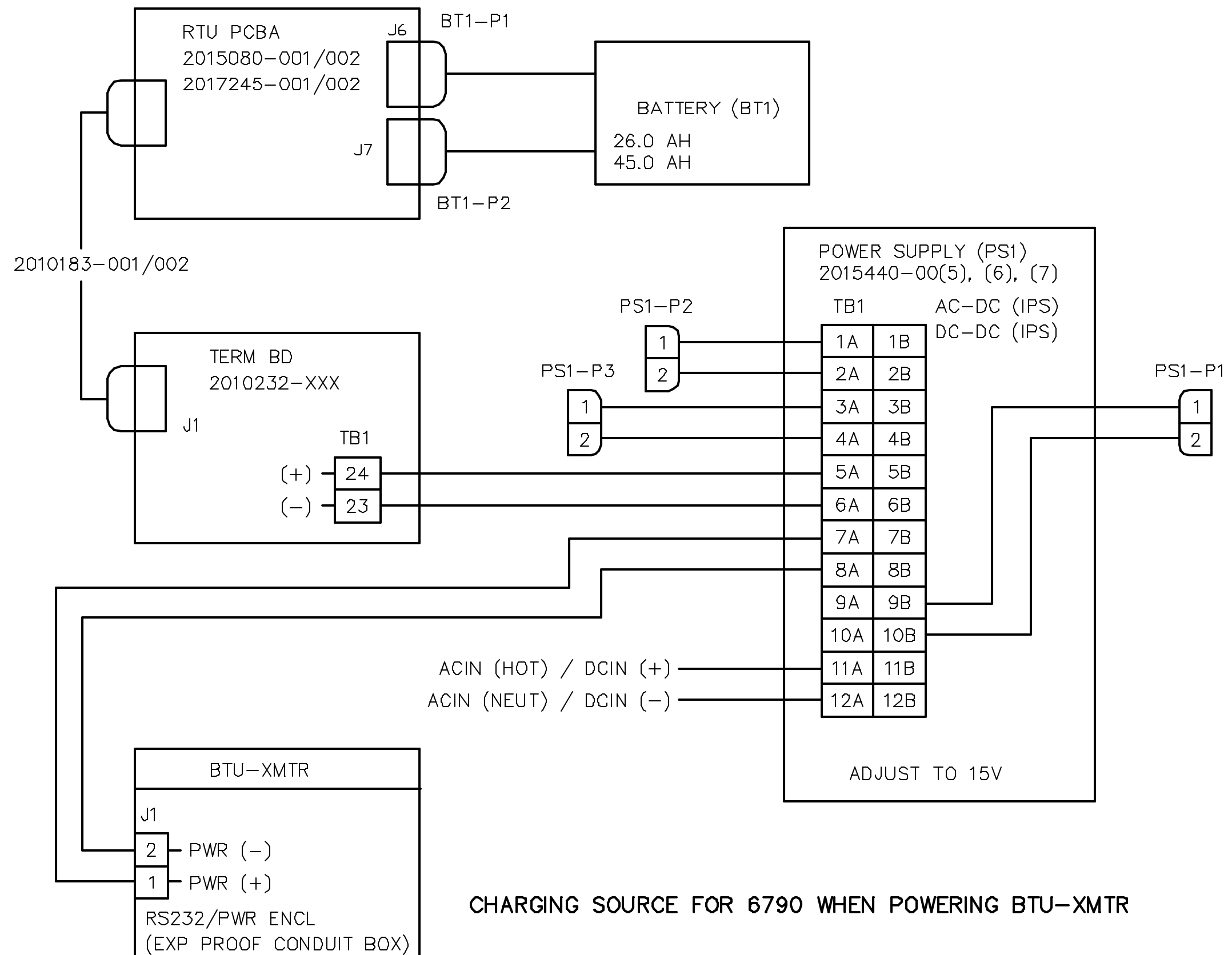


REVISIONS					
REV	ACTION	DRAWN	CHECKED	APPROVED	DATE
AA	L12005	KASTNER	KASTNER	HOLLAND	01/10/11
AB	D13038	KASTNER	KASTNER	HOLLAND	02/03/04

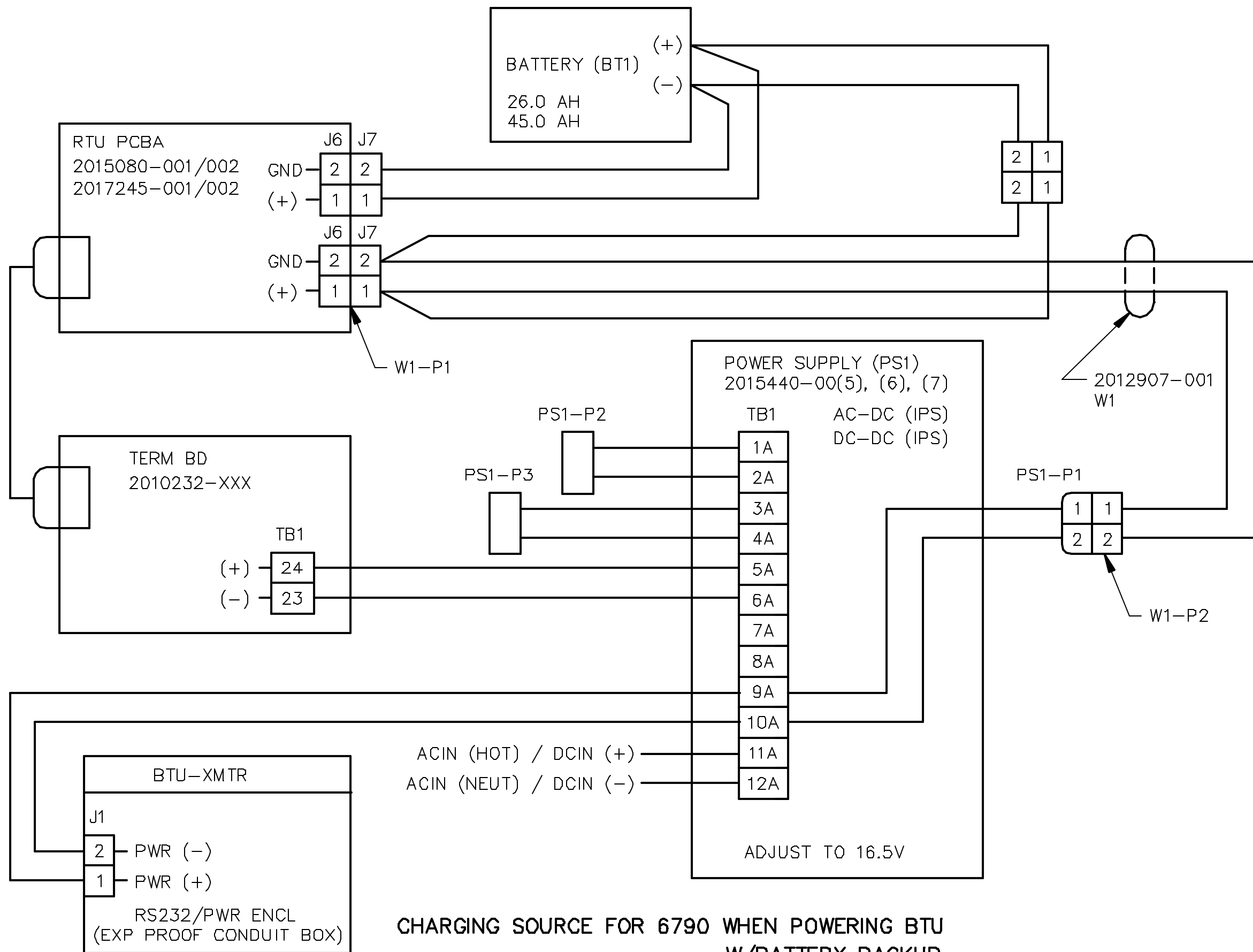
ASSEMBLY/QUANTITY	ITEM NO.	PART NUMBER	DESCRIPTION	REF/ZONE	DESIG MATERIAL	UNIT MEAS
	001					
DO NOT SCALE DRAWING	UNLESS OTHERWISE SPECIFIED DIMENSIONS ARE IN INCHES		PRODUCT LINE TOTALFLOW®	LEVEL 3	 <b>TOTALFLOW Products</b>	
THIRD ANGLE PROJECTION 	TOLERANCES ARE: DECIMAL                      ANGULAR .XX ±                              ±                              - .XXX ±                             -		DESIGN G. HOLLAND	DATE 01/10	TITLE <b>WIRING &amp; INTERCONNECT POWER SUPPLY, (PS) WI</b>	
	BREAK ALL SHARP CORNERS AND EDGES DIMENSIONS APPLY BEFORE FINISH		DRAWN A. KASTNER	01/10/11		
			CHECKED A. KASTNER	01/10/11		
			APPROVED G. HOLLAND	01/10/11	SCALE <b>NONE</b>	SIZE <b>B</b>
					DOC TYPE <b>WI</b>	DRAWING NO. <b>2100003</b>
					REV <b>AB</b>	SHEET <b>1 OF 7</b>



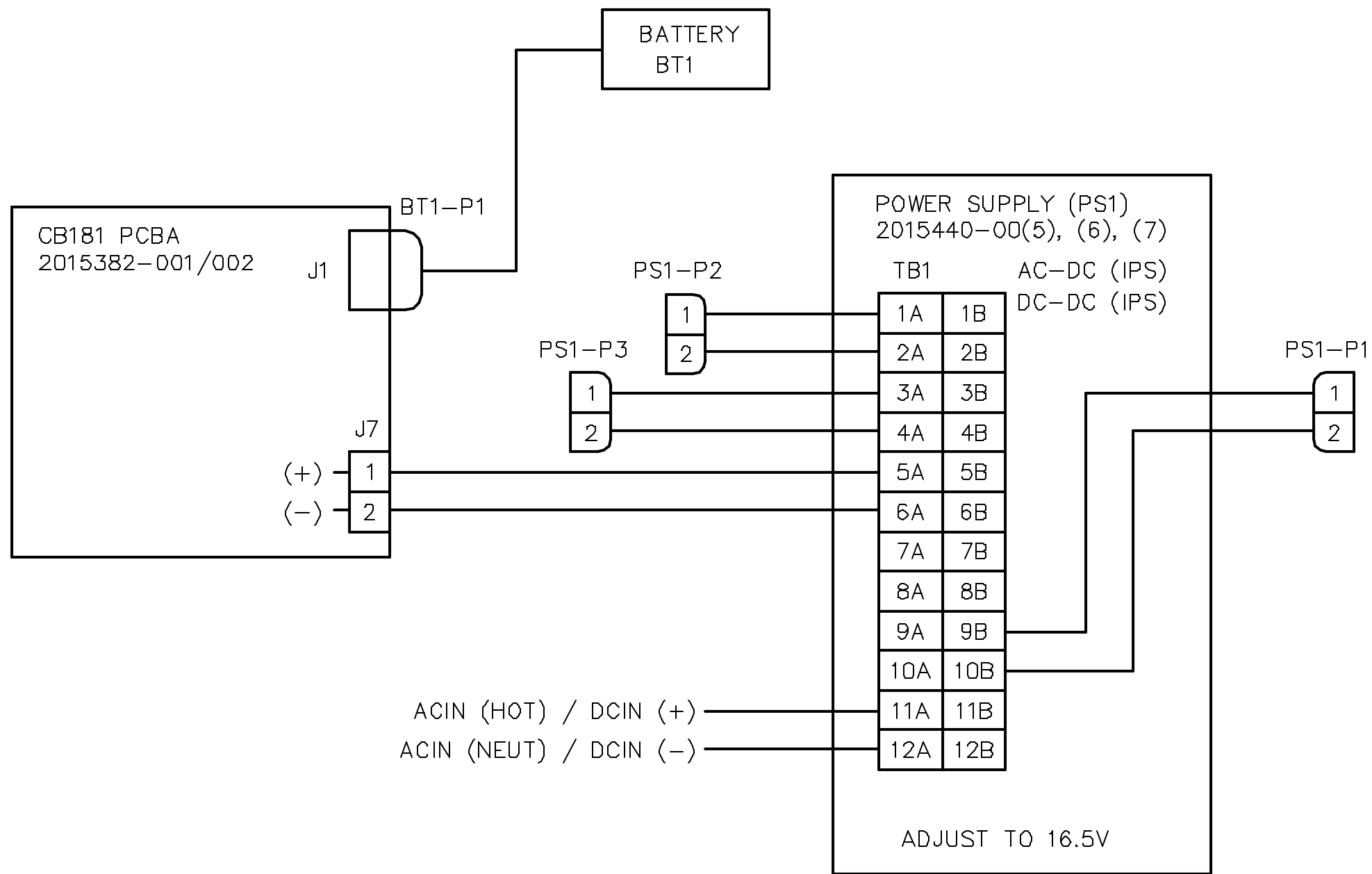
CHARGING SOURCE FOR 6790



CHARGING SOURCE FOR 6790 WHEN POWERING BTU-XMTR

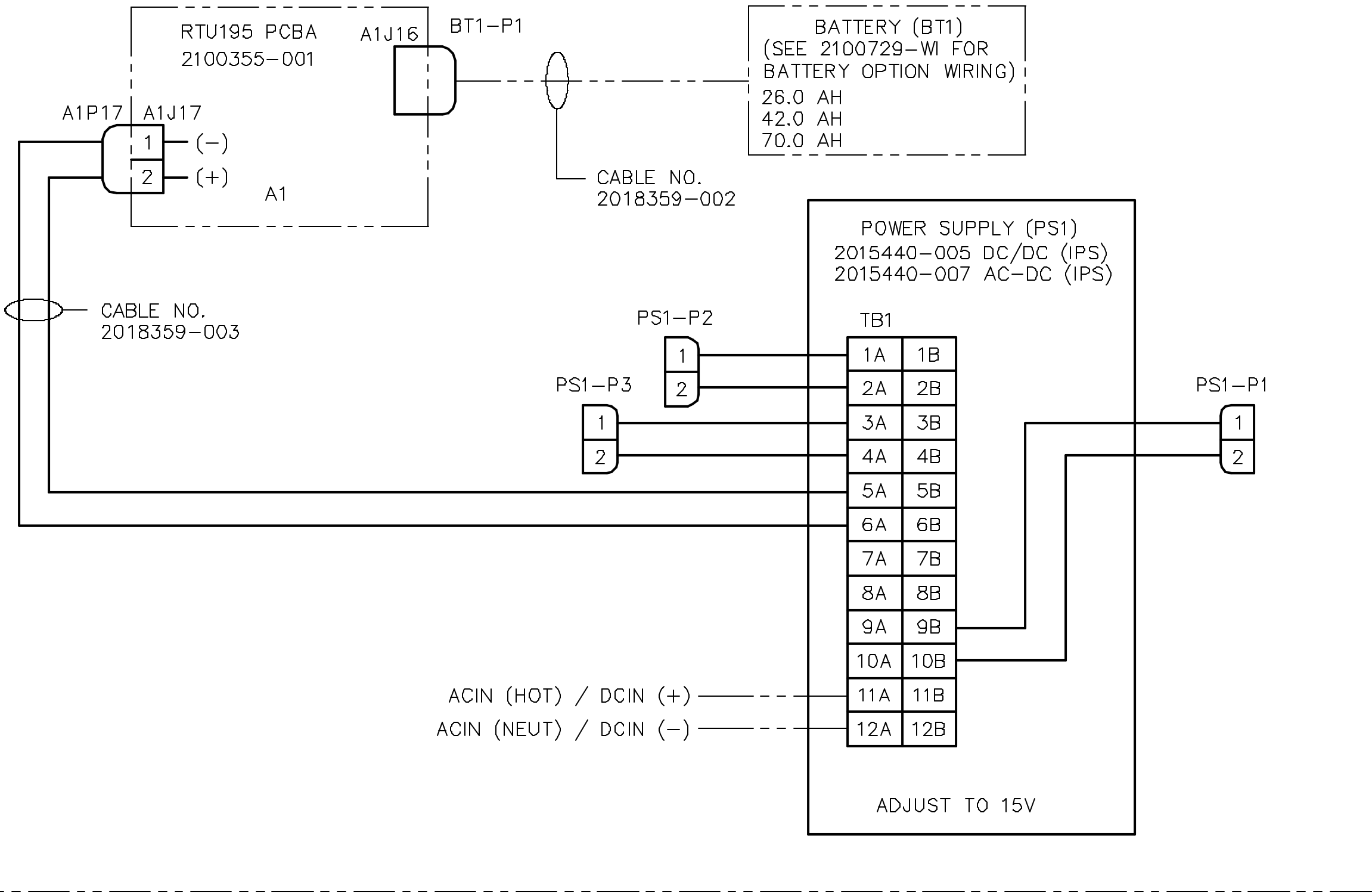


**CHARGING SOURCE FOR 6790 WHEN POWERING BTU  
W/BATTERY BACKUP**



CHARGING SOURCE FOR 6713/6714

**XRC6890 ENCLOSURE**



RTU195 PCBA  
2100355-001

BATTERY (BT1)  
(SEE 2100729-WI FOR  
BATTERY OPTION WIRING)  
26.0 AH  
42.0 AH  
70.0 AH

POWER SUPPLY (PS1)  
2015440-005 DC/DC (IPS)  
2015440-007 AC-DC (IPS)

A1P17 A1J17  
1 (-)  
2 (+)  
A1

CABLE NO.  
2018359-002

CABLE NO.  
2018359-003

PS1-P2  
1  
2  
PS1-P3  
1  
2

TB1	
1A	1B
2A	2B
3A	3B
4A	4B
5A	5B
6A	6B
7A	7B
8A	8B
9A	9B
10A	10B
11A	11B
12A	12B

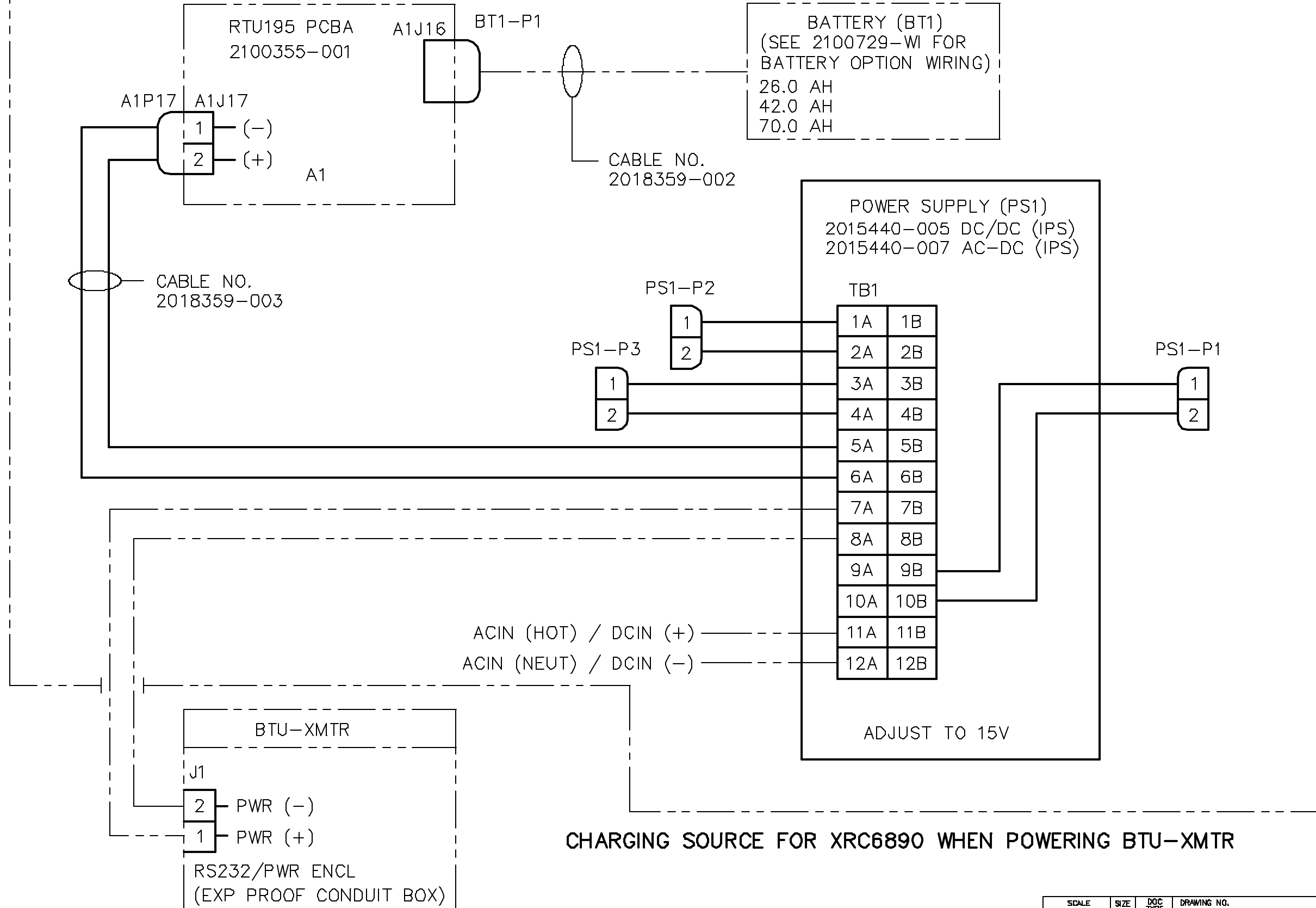
PS1-P1  
1  
2

ACIN (HOT) / DCIN (+)  
ACIN (NEUT) / DCIN (-)

ADJUST TO 15V

**CHARGING SOURCE FOR XRC6890**

**XRC6890 ENCLOSURE**



**CHARGING SOURCE FOR XRC6890 WHEN POWERING BTU-XMTR**