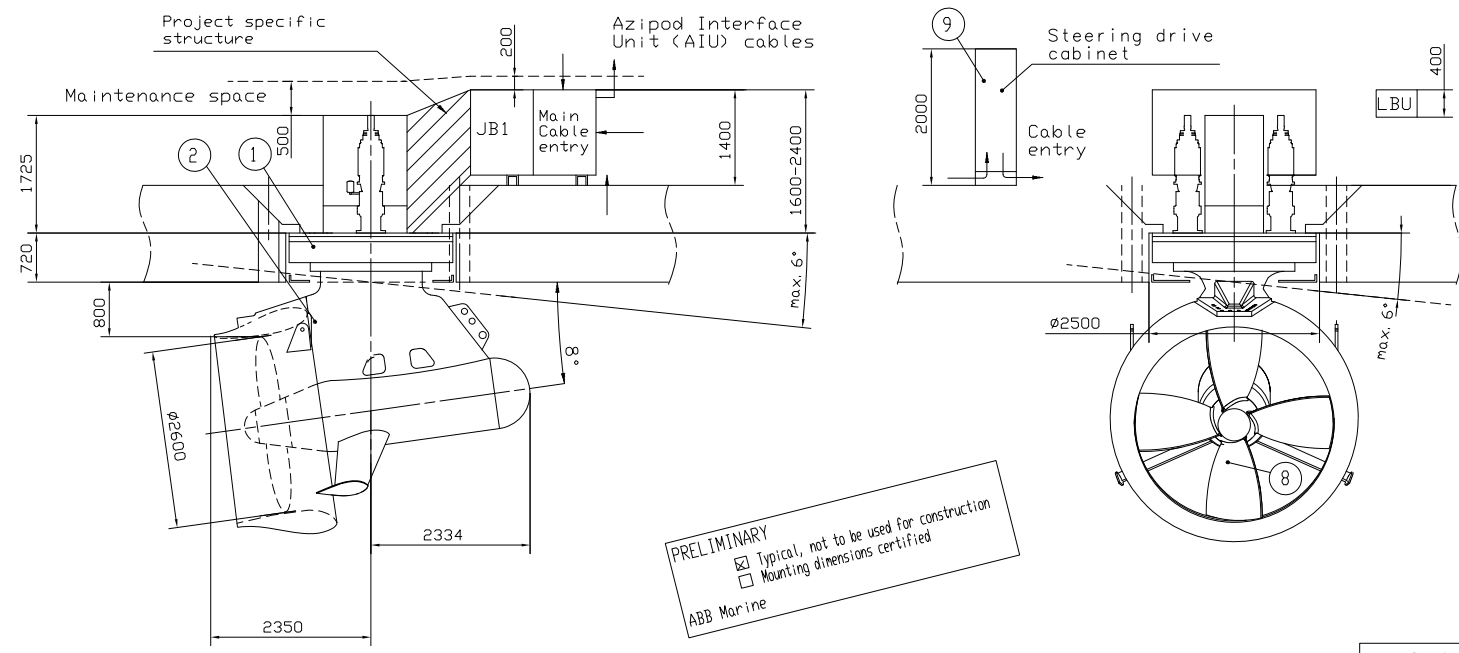


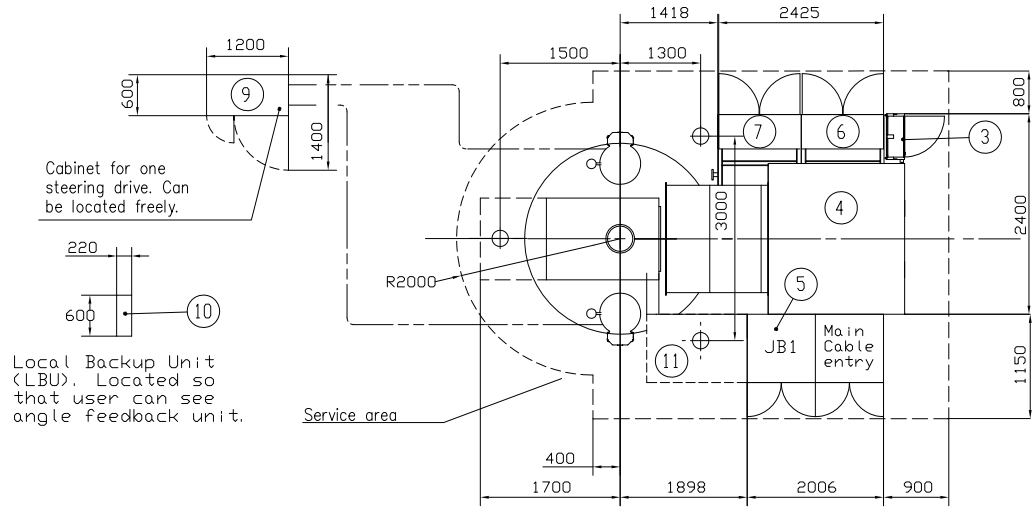
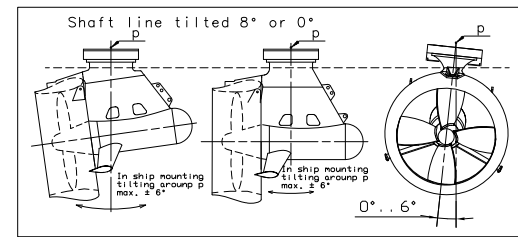
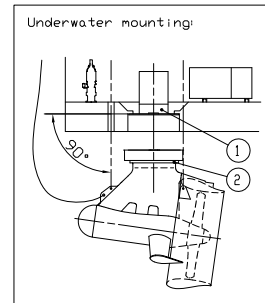
We reserve all rights in this document and in the information contained herein. This document and the information contained herein may be used for other purposes without the written consent of ABB. The use of this document for other purposes is strictly forbidden.

Synthesis for roughness according to ISO 1302 - MAHA 421

General tolerance for linear and angular dimensions and general tolerances for surface texture according to ISO 1302 - DIN 15201-1, DIN 15201-2



PRELIMINARY
 Typical, not to be used for construction
 Mounting dimensions certified
 ABB Marine



Cabinet for one steering drive. Can be located freely.

Local Backup Unit (LBU). Located so that user can see angle feedback unit.

Service area

Number	Part	Weight [kg]
1	Steering module	3300
2	Propulsion Module including propeller	32000/20000
3	JB3 -cabinet(s)	100 / unit
4	Cooling Air Unit	3500
5	JB1 and Main Cable Entry	1020
6	Azipod Interface Unit (AIU)	380
7	Auxiliary Device Cabinet (ADC)	280
8	Propeller	TBD
9	Steering drive	500 / unit
10	Local Backup Unit (LBU)	30
11	Circuit Breaker (only in case of permanent magnet motor)	TBD

*) Weight in water

Note! Design not to be mirrored to PS/STB.
 Location of Azipod Interface Unit and Auxiliary Device Cabinet can be located freely inside the Azipod room.
 Cabling between cabinets is part of shipyard's scope
 Presented layout is a suggestion.

Prepared 2016-06-07 Partanen, Mitro	Separate part list with separate No. <input type="checkbox"/>	Title MAIN DIMENSIONS	Scale 1:50
Reviewed	Responsible department VAX		Language
Approved	Original dep.		
Distribution	Functional code	Order No.	Weight
Type AZIPDD D20980-R2000		Mounting	Size A2
Revision Sheet		Document No. 3AFV6084780	Revision Sheet A 1/1



BAU Marine & Turbocharging, Helsinki

I-DEAS