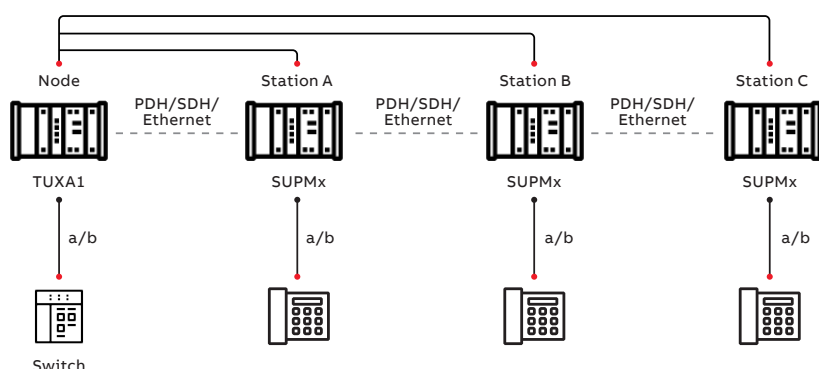


XMC20 TUXA1

POTS unit with 12 Foreign eXchange Office (FXO) ports



The POTS FXO unit TUXA1 provides up to 12 FXO ports for the connection of remote applications. Its wide range of configurable parameters ensure easy and reliable interoperation with a large variety of exchanges.

—
01 Applications with
TUXA1

With the multi-service capabilities of XMC20, TUXA1 signalling and voice data can be transmitted via PDH, SDH or Ethernet.

- 12-port FXO 2-wire ports for the connection of remote subscribers
- DTMF and pulse dialling
- CLIP support
- Supports 1+1 path protection
- Configurable voice levels
- Configurable signalling bits
- Configurable line impedance
- All functions from one network management system

Voice function

TUXA1 converts voice and signalling from the exchange for the digital transmission in the access network and recreates voice and signalling from the digital access network for the analogue exchange interface.

Legacy voice services in a PTN infrastructure

In connection with the circuit emulation unit SATP8 in XMC20, the TUXA1 supports the transport of legacy voice and signalling data via packet networks, using one single platform.

Protection functions

TUEM1 supports different protection mechanisms, ensuring that the delivered service persists in case of a failure in subnetworks:

- 1+1 path protection (LTP)
- Subnetwork connection protection (SNCP/I)

Built-in transmission solution

TUXA1, in conjunction with XMC20, provides a complete solution for FXO voice services. With its wide range of available interfaces, the XMC20 can easily be deployed in any type of existing network infrastructure. Voice services provided via TUXA1 can be transmitted to the network using the TDM, SDH, and Ethernet (with circuit emulation) transport technologies of the XMC20 platform.

Management

The management of the TUXA1 is integrated in the ECST/UNEM management system. By having one element manager for all types of services, operators will accelerate the provisioning process. This powerful and easy-to-use element manager ensures more efficient OAM&P (Operation, Administration, Maintenance and Provisioning) and lower operational costs.

Technical Data

FXO-Interface

Number of FXO interfaces	12
--------------------------	----

Voice and Configuration Parameters

CLIP	Supported
Input voice level	Configurable
Output voice level	Configurable
Line impedance	Configurable (8 commonly used impedances)
CAS pattern	Configurable for upstream and downstream signalling

Downstream Signalling

Polarity reversal	supported
Ringing	supported
Metering pulse	12 kHz and 16 kHz

Upstream Signalling

Dialling	DTMF and pulse
On/Off-hook	Supported
Hook flash	Supported
Earth key	Supported

Protection

1+1 path protection (LTP)	Supported
SNCP/I	Supported

Management

ECST	For local management
UNEM	For central management

Power Supply

Input voltage nominal (min/max)	-48/-60 V DC (-40.5 V DC ... -72 V DC)
---------------------------------	--

Operation Environment

Temperature range and humidity	According to XMC20 environmental specifications
--------------------------------	---