

18

17

16

15

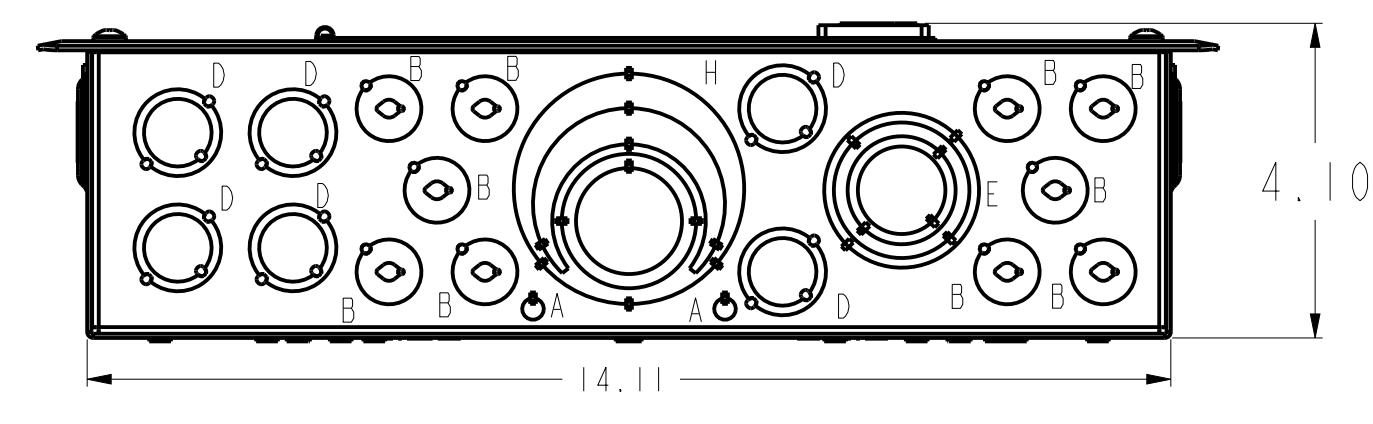
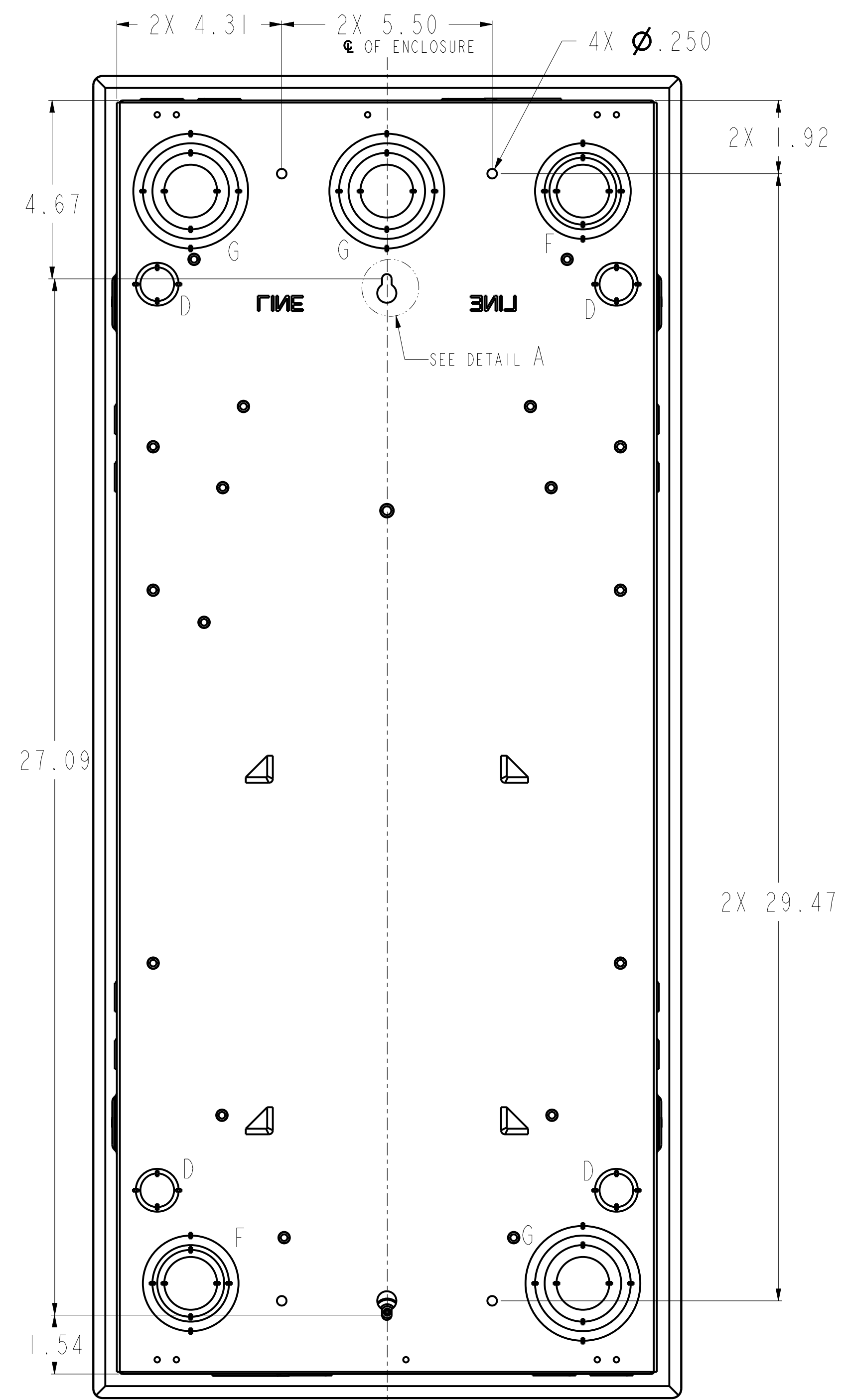
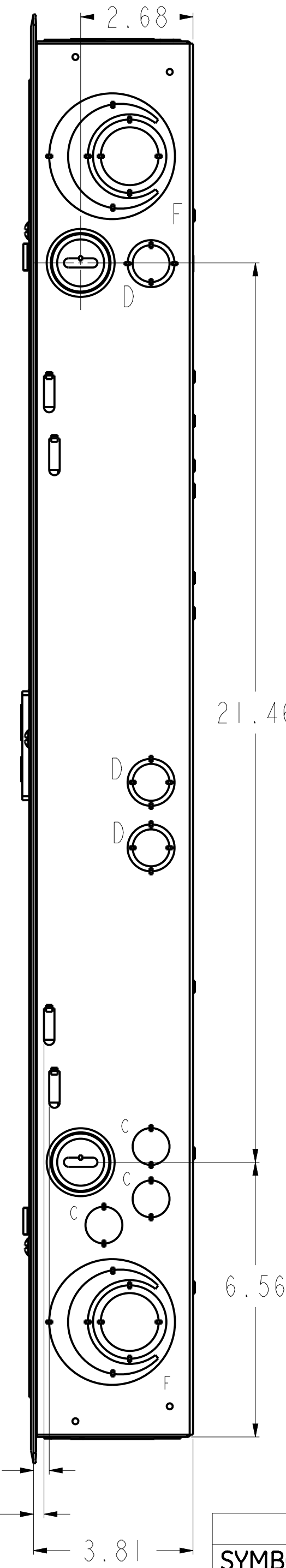
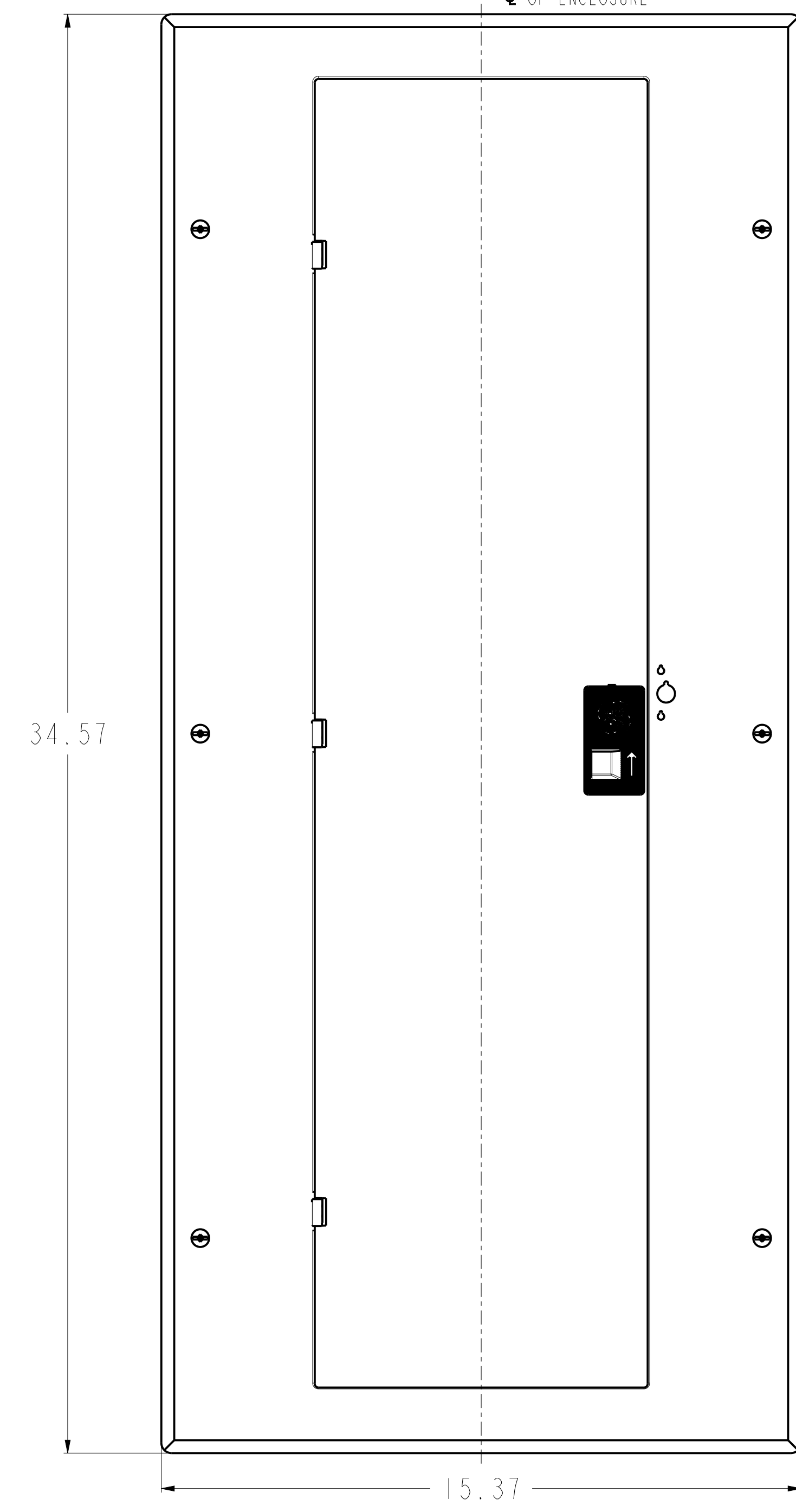
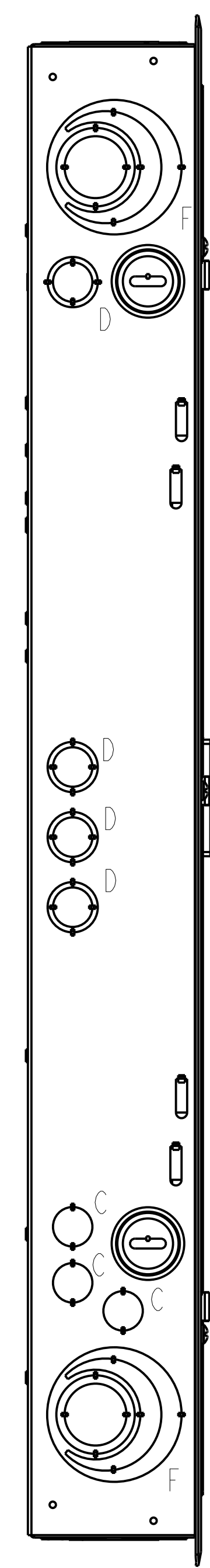
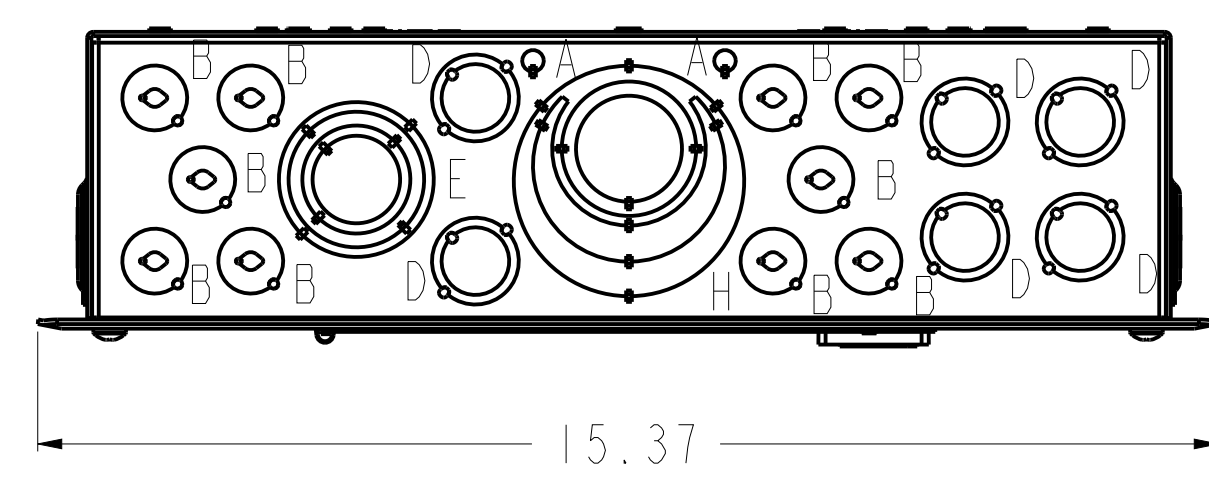
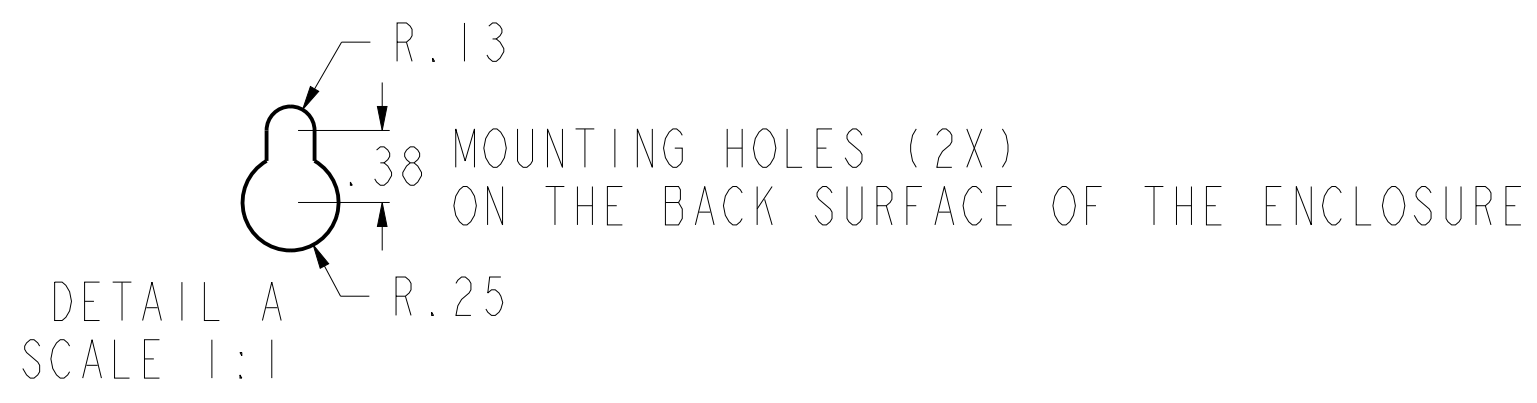
14

13

12

11

CAT NO.	MODEL
PLM3212C	I
PLM3212W	I
PLM3220C	I
PLM3220W	I
PM3210C	I
PM3210W	I
PM3212C	I
PM3212W	I
PM3215C	I
PM3215W	I
PM3220C	I
PM3220W	I



KNOCKOUT TABLE		
SYMBOL	SIZE	QTY
A	9/32 KO	4
B	1/2 KO DIAMOND	20
C	1/2 KO	6
D	1/2 3/4 KO	23
E	3/4 - 1 - 1 1/4 - 1 1/2 KO	7
F	1 - 1 1/4 - 1 1/2 - 2 KO	2
G	1 - 1 1/4 - 1 1/2 - 2 - 2 1/2 KO	3
H	1 x 1 1/4 - 1 1/2 - 2 - 2 1/2 KO	6

ALL DIMENSION HAVE +/- .125 TOLERANCE



OUTLINE DRAWING 32 CKT, 100-200 A
INDOOR LOAD CENTER ASM ENCLOSURE 24.69"

THIRD ANGLE	SHEET#	DWG NO.	DATE	REV
	1 of 1	10103091SH255	31-Jan-22	1

18

17

16

15

14

13

12

11