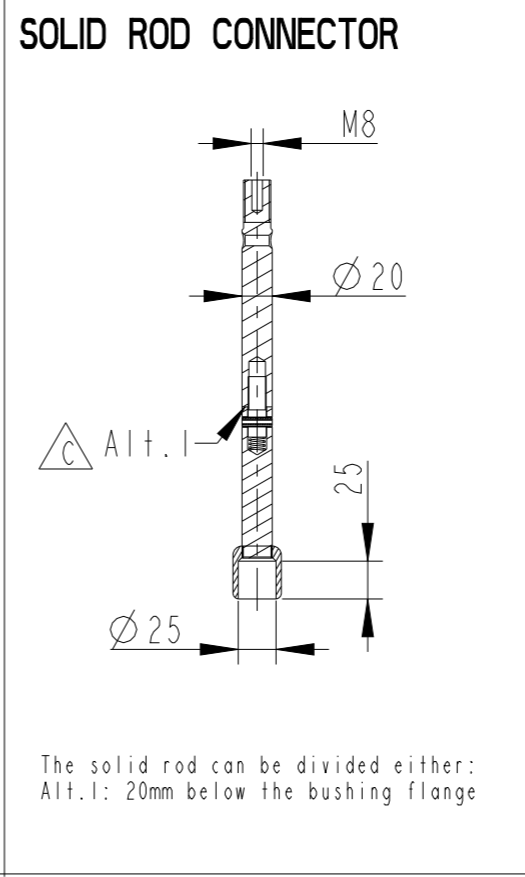
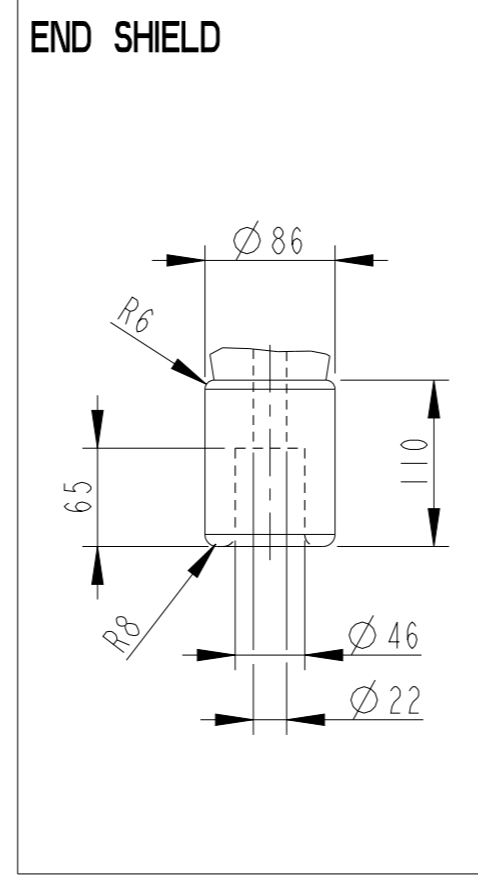
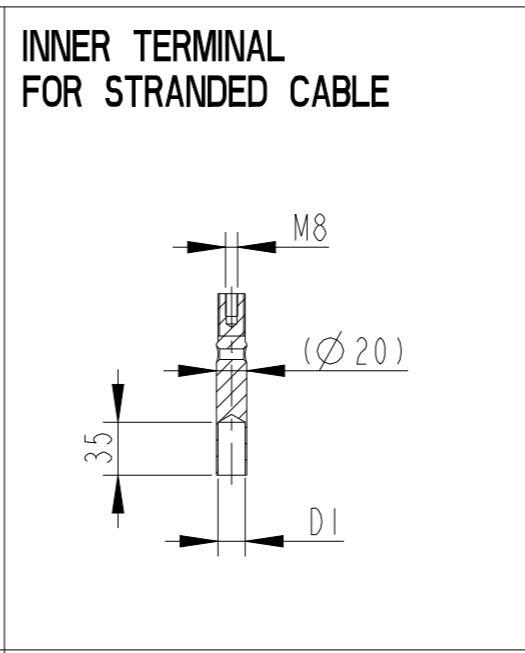
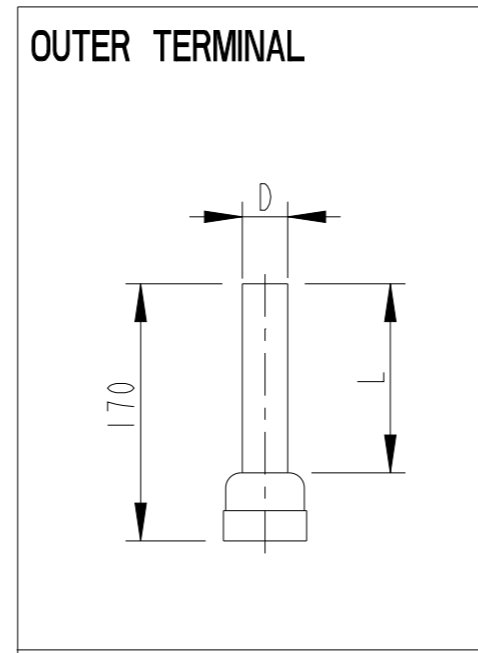
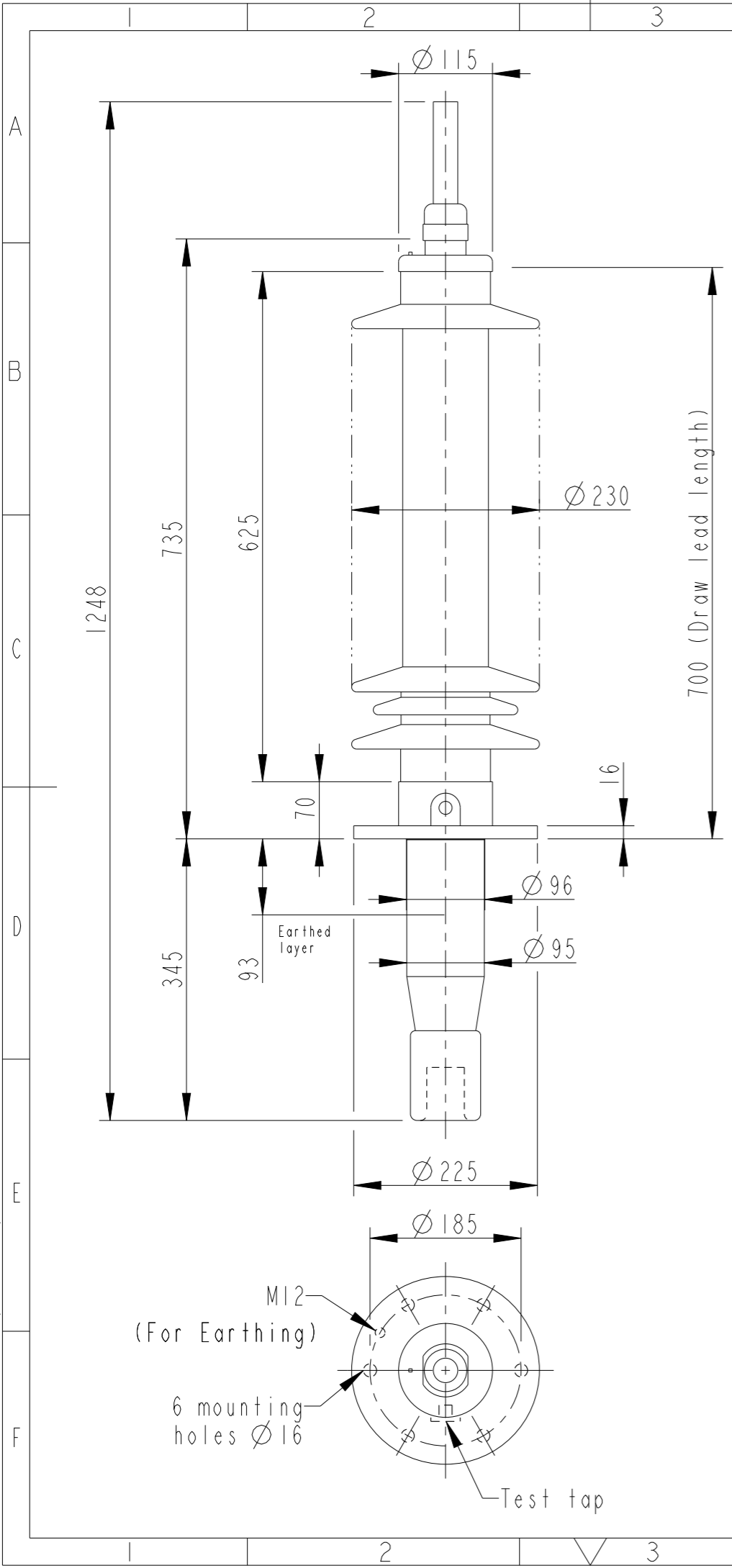


This document is issued by means of a computerized system. The digitally stored original is electronically approved. The approved document has a date entered in the "Approved"-field. A manual signature is not required.

We reserve all rights in this document and in the information contained therein. Reproduction, use or disclosure to third parties without express authority is strictly forbidden.



Revision	Revision text
C	Removed Alt.2, Changed the Phase to ground voltage from 72.5 to 42kV

Bushing Data:

Rated Voltage	72.5	kV
Phase to Ground Voltage	$\triangle C$ 42	kV
Dry Lightning Impulse 1,2/50 μ s	350	kV
Wet power frequency AC	140	kV
Routine test Imin dry 50Hz	160	kV
Rated Current	800	A
Creepage Distance	2240 \pm 50	mm
Creepage Distance Protected	875	mm
Mass	27	kg

Ordering Data:

BUSHING	COLOUR AIR INSULATOR
LF123025-M	BROWN
-N	LIGHT GREY
OUTER TERMINAL	Material D L
LF 170 002-A	Cu alloy, $\varnothing 30$, 125
LF 170 001-A	Al, $\varnothing 30$, 125
OTHER TYPES ON REQUEST	
INNER TERMINAL FOR STRANDED CABLE	
For brazing	Conductor area D1
LF 170 011-S	up to 150mm ² $\varnothing 18$
LF 170 011-U	Undrilled with pilot hole $\varnothing 5$
For crimping or brazing	Conductor area D1
LF 170 010-M	50mm ² $\varnothing 11$
LF 170 010-N	70mm ² $\varnothing 13$
LF 170 010-L	95mm ² $\varnothing 15$
SOLID ROD CONNECTOR	Material
LF 170 019 -F for Alt.1	Cu

Note:
Mounting inclination 0-45°.
For inclined and horizontal mounting, see Installation and Maintenance Guide.

ABB		Ludvika, Sweden	
No.	Um	kV Ir	A 50/60 Hz
○	BIL	kV SIL	kV AC kV
	M	kg L	mm \checkmark
	C1	pF Tan δ	x
	C2	pF Tan δ	x

Created by Balaji.G.R	Reviewed by Joakim Persson	Approved by Natalia Gutman
Approved 2020-01-08	Document Kind Outline Drawing	Based on doc.id Work order id Project id
Company ABB Technology Ltd	Title, Supplementary title GOB 325-800-0 WITHOUT OIL LEVEL GAUGE LONG END SHIELD	
Responsible Department SEABB-9AAE300824	Document id 2751369-122	Status Released
ABB	Revision C	Iteration 1/1
	Sheet 1/1	