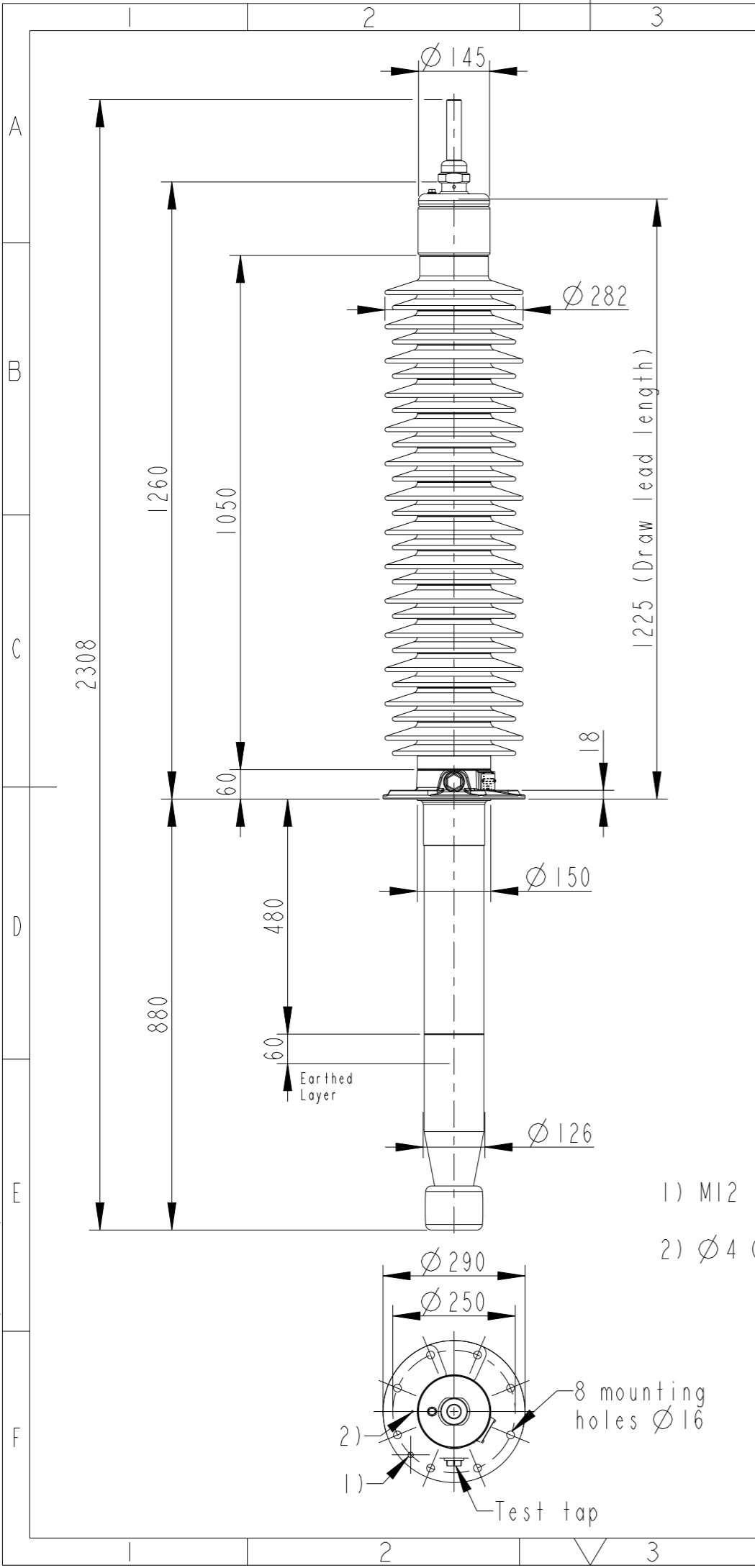
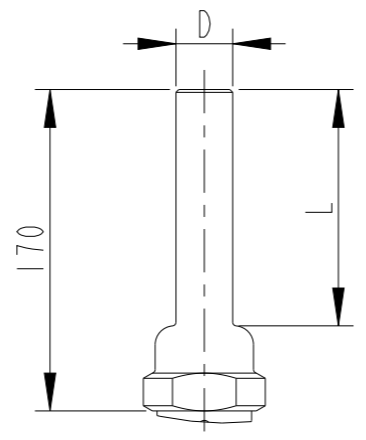


This document is issued by means of a computerized system. The digitally stored original is electronically approved. The approved document has a date entered in the "Approved"-field. A manual signature is not required.

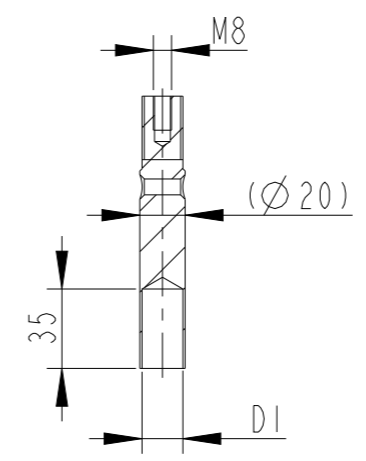
We reserve all rights in this document and in the information contained therein. Reproduction, use or disclosure to third parties without express authority is strictly forbidden.



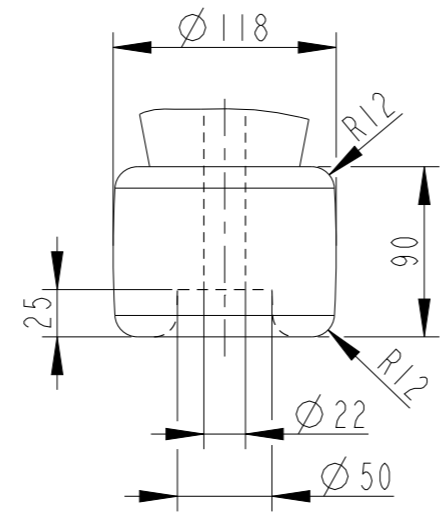
OUTER TERMINAL



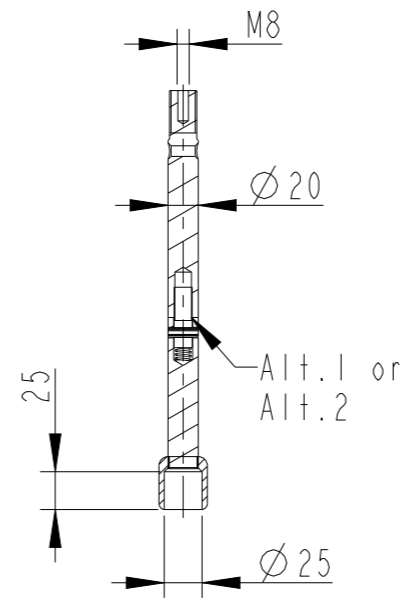
INNER TERMINAL FOR STRANDED CABLE



END SHIELD



SOLID ROD CONNECTOR



The solid rod can be divided either:
 Alt.1: 20mm below the bushing flange or
 Alt.2: 20mm below the upper end of the bottom porcelain

- 1) M12 (For Earthing)
- 2) Ø4 Oil connection hole (only valid for horizontal mounting)

Revision	Revision text
D	Phase to Ground Voltage changed from 123 to 98kV

Bushing Data:

Rated Voltage	170	kV
Phase to Ground Voltage	$\triangle D$ 98	kV
Dry Lightning Impulse 1,2/50µs	550	kV
Wet power frequency AC	230	kV
Routine test Imin dry 50Hz	260	kV
Rated Current	800	A
Creepage Distance	3890±100	mm
Creepage Distance Protected	1530	mm
Mass	92	kg

Ordering Data:

BUSHING	COLOUR AIR INSULATOR
LF123107-K	BROWN
LF123107-L	LIGHT GREY
LF123107-HK	BROWN Horizontal 45°-90°
LF123107-HL	LIGHT GREY Horizontal 45°-90°
OUTER TERMINAL	Material D L
LF 170 002-A	Cu alloy, Ø30, 125
LF 170 001-A	Al, Ø30, 125
OTHER TYPES ON REQUEST	
INNER TERMINAL FOR STRANDED CABLE	
For brazing	Conductor area D1
LF 170 011-S	up to 150mm ² Ø18
LF 170 011-U	Undrilled with pilot hole Ø5
For crimping or brazing	Conductor area D1
LF 170 010-M	50mm ² Ø11
LF 170 010-N	70mm ² Ø13
LF 170 010-L	95mm ² Ø15
SOLID ROD CONNECTOR	Material
LF 170 019 -Y for Alt.1	Cu
LF 170 019 -V for Alt.2	Cu

ABB		Ludvika, Sweden	
No.	Um	kV Ir	A 50/60 Hz
BL		kV SIL	kV AC
M		kg L	mm V
C1		pF Tan δ	x
C2		pF Tan δ	x

Created by Jacob Stefansson	Reviewed by Joakim Persson	Approved by Natalia Gutman
Approved 2019-11-06	Document Kind Outline Drawing	Based on doc.id Work order id Project id
Company ABB Technology Ltd	Title, Supplementary title GOB 550-800-0.5 WITHOUT OIL LEVEL GAUGE STD END SHIELD	
Responsible Department SEABB-9AAE300824	Document id 2751369-149	Status Released
Revision D		Iteration 1/1