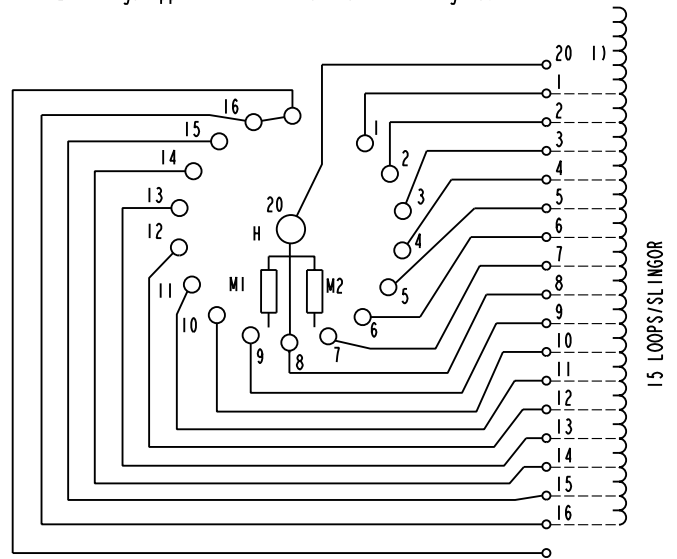


We reserve all rights in this document and in the information contained therein. Reproduction, use or disclosure to third parties without express authority is strictly forbidden. © ABB 19

Pos. Läge	H connects H förbinder
1	1 - 20
2	2 - 20
3	3 - 20
4	4 - 20
5	5 - 20
6	6 - 20
7	7 - 20
8	8 - 20
9	9 - 20
10	10 - 20
11	11 - 20
12	12 - 20
13	13 - 20
14	14 - 20
15	15 - 20
16	16 - 20

On-load tap-changer type UZEL., UZFL., 16 tap positions, linear switching.  
Min. effective No. of turns in pos. 1.  
The tap-changer is delivered set in pos. 8.

Lindningskopplare typ UZEL., UZFL., 16 lägen, linjär koppling.  
Min. antal effektiva varv i läge 1.  
Lindningskopplaren levereras inställd i läge 8.



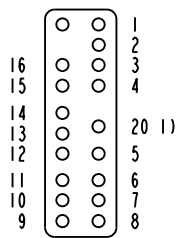
The tap-changer is shown in pos. 8  
Lindningskopplaren visad i läge 8

H Main contact                      M1, M2 Transition contacts  
Huvudkontakt                      Motståndskontakter

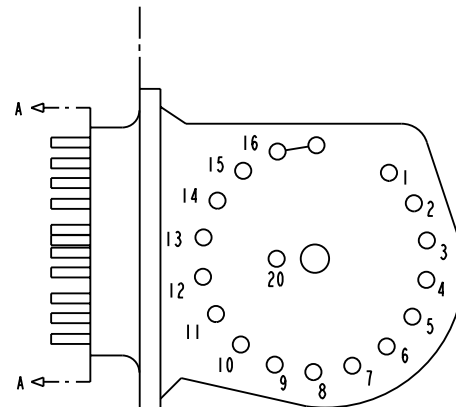
1) Connections between the terminals 20 of the three phases are included in the star-point type.

Förbindningar mellan uttag 20 i de tre faserna ingår i nollpunktsutförandet.

Terminal board  
Plint



Section A-A  
Sektion A-A



Transformer tank  
Transformatorlåda

Tap-changer tank  
Lindningskopplarlåda

Sheet	Cont
Year	Week
Dept	
Rev Ind	Revision
Design checked by	Accepted for prod by
Design checked by	Drawn by
Design checked by	Issued by Dept Year Week

- - - - -  
Appd Year Week

Accepted by qual control R. Yngvesson      Accepted for prod by      Description (English) CONNECTION DIAGRAM      DATA ORIGINAL

Design checked by B-O. Stenestam      Drawn by L. Bergman      Description (own language) KOPPLINGSSHEMA      File name 0396-12

Drawing checked by M. Hedlund      Issued by Dept Year Week COM/TKO 97 33      Lang Sheet 1

Rev Ind Cont -

**ABB** Asea Brown Boveri

5492 0396-12