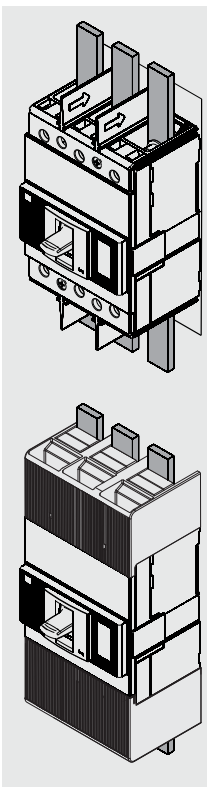
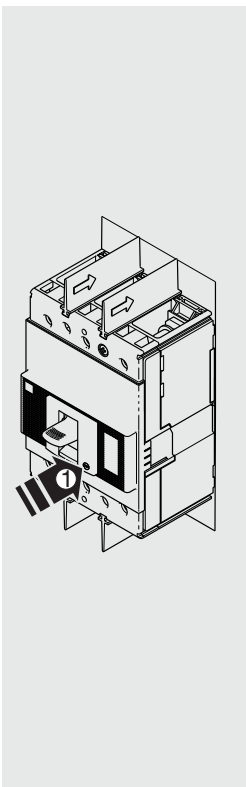


SACE Tmax XT UL

Istruzioni di installazione XT3 UL
Installation instructions XT3 UL
Installationsanleitung XT3 UL
Instructions pour l'installation XT3 UL
Instrucciones de instalación XT3 UL

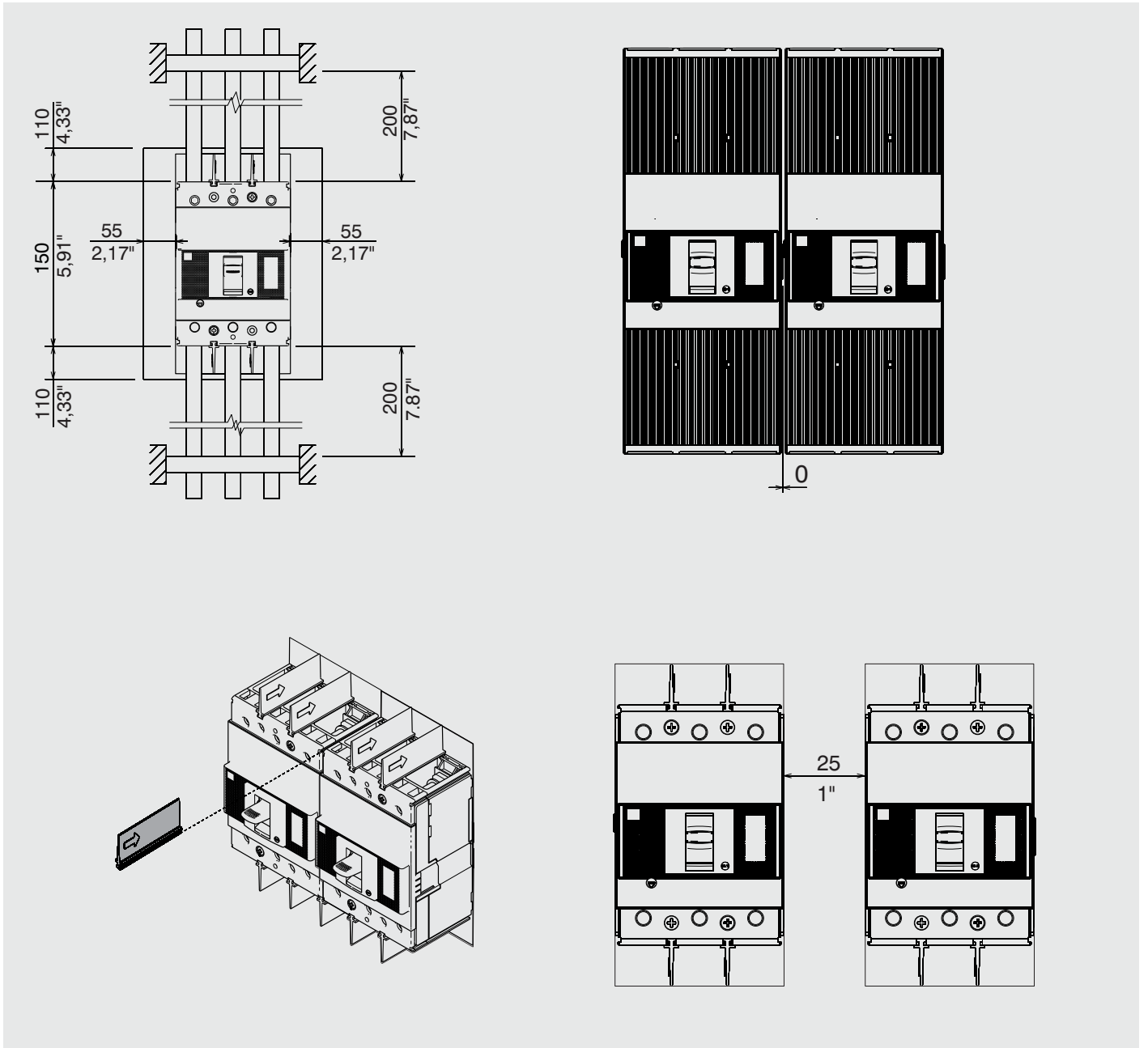
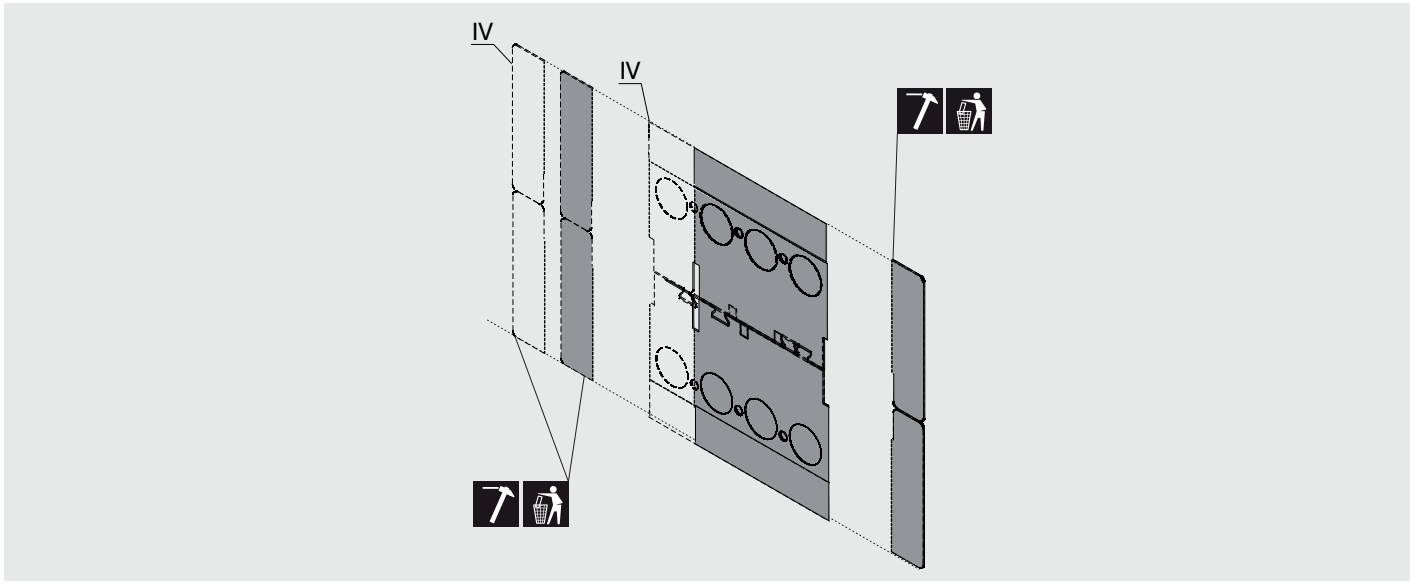
XT3 UL 3P-4P

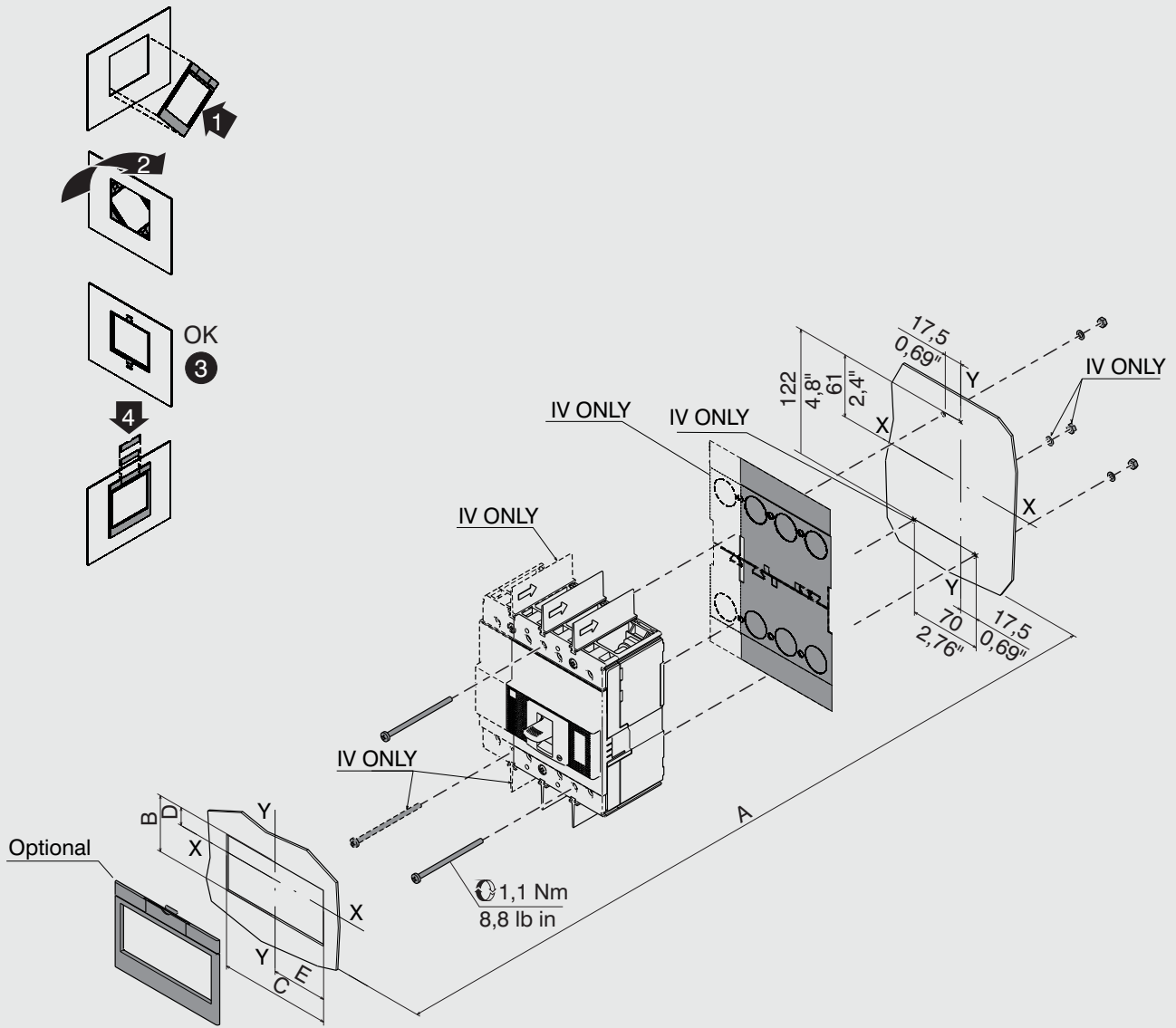


- Usare cavi o barre isolate/ o eseguire prove di tipo specifiche sull' installazione.
- Use cable or insulated busbars/ or performspecific type test on the installation.
- Kabel oder isolierte Sammelschienen verwenden / oderdie spezifische Typprüfung auf derInstallation durchführen.
- Utiliser un câble ou des barres isolées/ ou réaliserun test de type spécifique sur installation.
- Utilizar un cable o barras aisladas / o efectuaruna prueba de tipo específico sobre instalación.

- L'utilizzo di barre non isolate con $U_e \leq 480V$ prevede il montaggio obbligatorio di copritherminali HTC.
- The use of not insulated busbars with $U_e \leq 480V$ involves the mandatory assembly of terminal-covers HTC.
- Die Benutzung vor Schienen nicht isolierten mit $U_e \leq 480V$ sieht Die obligatorisch Montage von Klemmenabdeckung HTC.
- L'utilisation de barres non isolées avec $U_e \leq 480V$ prévoit le montage obligatoire du cache-bornes HTC.
- La utilización de barras no aisladas con $U_e \leq 480V$ prevé el montaje obligatorio de cubre-bornes HTC.

		LENGHT M 73mm (2.87") M4	LENGHT M 18mm (0.7") M8	LENGHT M 16mm (0.63") M4	LENGHT M 16mm (0.63") M4	LENGHT M 16mm (0.63") M4	LENGHT M 16mm (0.63") M4	LENGHT M 16mm (0.63") M4	LENGHT M 16mm (0.63") M4	LENGHT M 16mm (0.63") M4
F	3P	2	4	6	2	-	-	-	2	2
	4P	3	6	8	-	2	-	-	3	3
P	3P	2	-	-	-	-	4	4	8	4
	4P	3	-	-	-	-	4	4	8	4

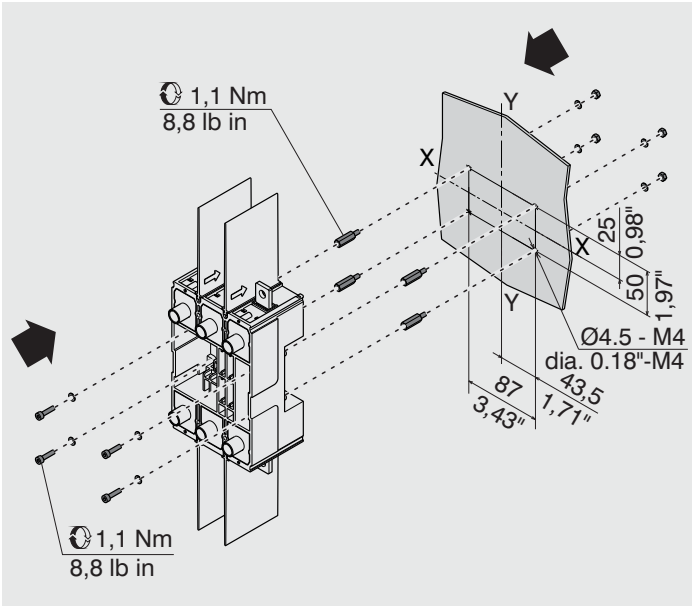




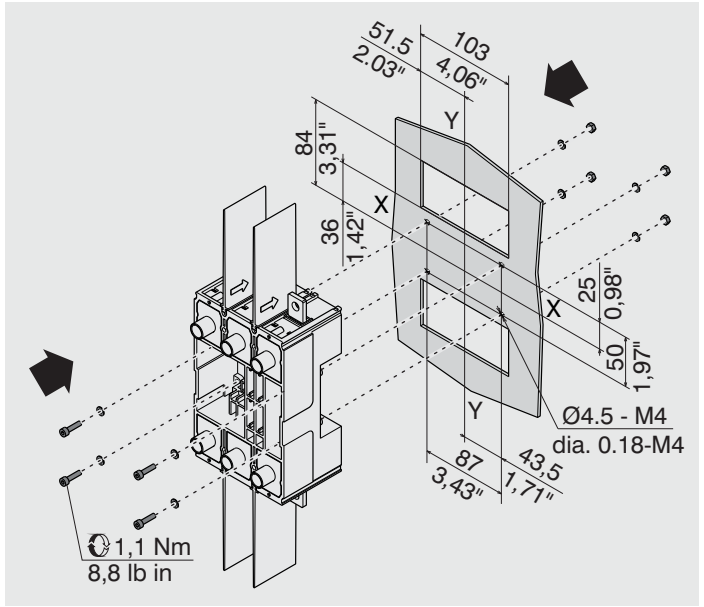
XT3 WITHOUT FLANGE SENZA MOSTRINA		A	B	C	D	E
	3P	72 2,83"	47 1,85"	102 4,02"	13,5 0,53"	51 2"
	4P	72 2,83"	47 1,85"	137 5,39"	13,5 0,53"	51 2"
	3P-4P	80 3,15"	43 1,69"	47 1,85"	11,5 0,45"	23,5 0,93"

XT3 WITH FLANGE CON MOSTRINA		A	B	C	D	E
	3P	75 2,95"	55 2,16"	110 4,33"	17,5 0,69"	55 2,16"
	4P	75 2,95"	55 2,16"	145 5,71"	17,5 0,69"	55 2,16"

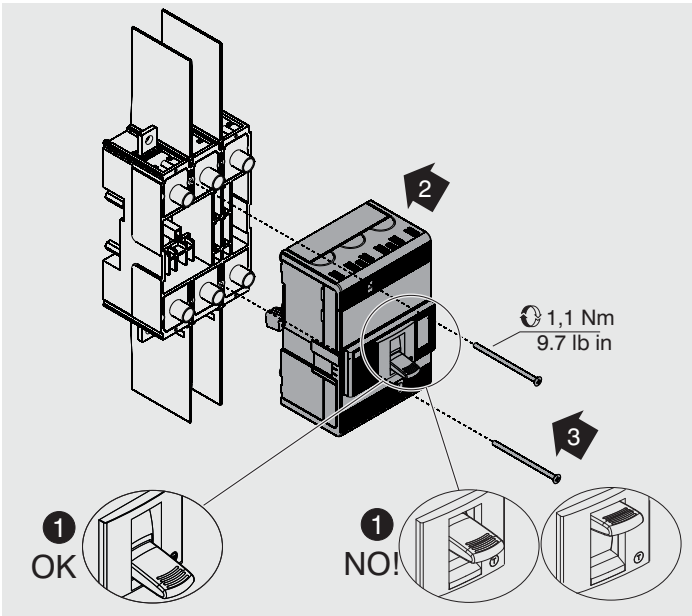
4 P Fixing at 70mm/2,76"



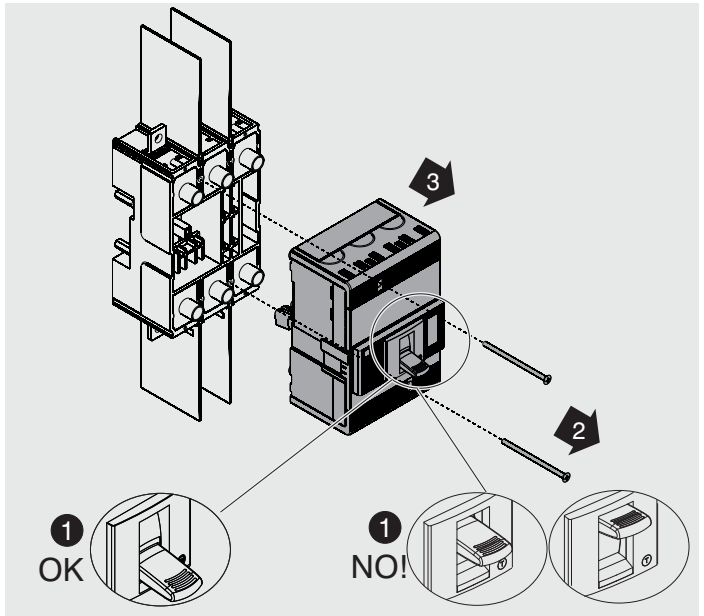
5 P Fixing at 50mm/1,97"



6 P



7 P



8 P

Diagram 8 shows the P fixing with a terminal block. It illustrates the installation of a terminal block into a panel. The terminal block is secured with screws, and the panel is fixed to the terminal block. The diagram includes the following dimensions and specifications:

- Torque: $\odot 1,1 \text{ Nm}$ (9,7 lb in)
- Panel dimensions: 87 mm (3,43"), 43,5 mm (1,71"), 50 mm (0,98"), 25 mm (0,98"), 1,97"
- Terminal block dimensions: 84 mm (3,31"), 36 mm (1,42")
- Terminal block specifications: $\odot 4.5 - M4$, dia. 0.18"-M4

XT3 WITH FLANGE CON MOSTRINA		A		B	C	D	E
		50/1.97"	70/2.76"				
3P		124	144	55	110	17,5	55
		4,88"	5,67"	2,16"	4,33"	0,69"	2,16"
4P		124	144	55	145	17,5	55
		4,88"	5,67"	2,16"	5,71"	0,69"	2,16"

XT3 WITHOUT FLANGE SENZA MOSTRINA		A		B	C	D	E
		50/1.97"	70/2.76"				
3P-4P		129	149	43	47	11,5	23,5
		5,08"	5,87"	1,69"	1,85"	0,45"	0,93"
3P		121	141	47	102	13,5	51
		4,76"	5,55"	1,85"	4,02"	0,53"	2,01"
4P		121	141	47	137	13,5	51
		4,76"	5,55"	1,85"	5,4"	0,53"	2,01"

Optional

Terminali Terminals Anschlusse Prises Terminales 端子类型	Codici Codes Codes Codes Códigos 物料编号	Istruzioni d'installazione Installation instructions Installationsanleitung Instructions pour l'installation Instrucciones de instalación 安装说明	Dimensioni di ingombro Overall dimensions Abmessungen Dimensions d'encombrement Dimensiones generales 全部尺寸
--	--	---	---

F	1SDA066857R1	1/2 Kit - 3p	1SDH000719R0811	1SDH000720R0100
	1SDA066858R1	1/2 Kit - 4p		

EF	1SDA066873R1	1/2 Kit - 3p	1SDH000719R0804	1SDH000720R0123
	1SDA066874R1	1/2 Kit - 4p		

ES	1SDA066897R1	1/2 Kit - 3p	1SDH000719R0805	1SDH000720R0101
	1SDA066898R1	1/2 Kit - 4p		

FC CuAl 14...1/0 AWG	1SDA075849R1	1/2 Kit - 3p	1SDH000719R0806		
	1SDA075850R1	1/2 Kit - 4p			
	1SDA081990R1	1/2 Kit - 3p			AuxV
	1SDA081991R1	1/2 Kit - 4p			Auxv

FC Cu Al 4 AWG... 300 Kcmil	1SDA075853R1	1/2 Kit - 3p	1SDH000719R0806	1SDH000720R0121	
	1SDA075854R1	1/2 Kit - 4p			
	1SDA081988R1	1/2 Kit - 3p			AuxV
	1SDA081989R1	1/2 Kit - 4p			AuxV

FC Cu 10...250 AWG	1SDA114853R1	1/2 Kit - 2p	1SDH000720R0807	1SDH000720R0103
	1SDA075885R1	1/2 Kit - 3p		
	1SDA075886R1	1/2 Kit - 4p		

MC Cu 6x12...2 AWG	1SDA075905R1	1/2 Kit - 3p	1SDH000719R0808	1SDH000720R0103
	1SDA075906R1	1/2 Kit - 4p		

R	1SDA066945R1	1/2 Kit - 3p	1SDH000719R0809	1SDH000720R0104
	1SDA066946R1	1/2 Kit - 4p		

R-RC	1SDA066954R1	1/2 Kit - 4p	1SDH000719R0810	1SDH000720R0131
-------------	--------------	--------------	-----------------	-----------------

FB	1SDA066965R1	1/2 Kit - 3p	1SDH000719R0814	
	1SDA066966R1	1/2 Kit - 4p		

Terminali Terminals Anschlusse Prises Terminales 端子类型	Codici Codes Codes Codes Códigos 物料编号	Istruzioni d'installazione Installation instructions Installationsanleitung Instructions pour l'installation Instrucciones de instalación 安装说明	Dimensioni di ingombro Overall dimensions Abmessungen Dimensions d'encombrement Dimensiones generales 全部尺寸
--	--	---	---

EF	1SDA066264R1	1/2 Kit - 3p	1SDH000719R0804	1SDH000720R0108
	1SDA066265R1	1/2 Kit - 4p		

ES	1SDA066897R1	1/2 Kit - 3p	1SDH000719R0805	1SDH000720R0105
	1SDA066898R1	1/2 Kit - 4p		

FC CuAl 14...1/0 AWG	1SDA075849R1	1/2 Kit - 3p	1SDH000719R0806		
	1SDA075850R1	1/2 Kit - 4p			
	1SDA081990R1	1/2 Kit - 3p			AuxV
	1SDA081991R1	1/2 Kit - 4p			Auxv

FC Cu Al 4 AWG... 300 Kcmil	1SDA075853R1	1/2 Kit - 3p	1SDH000719R0806	1SDH000720R0122	
	1SDA075854R1	1/2 Kit - 4p			
	1SDA081988R1	1/2 Kit - 3p			AuxV
	1SDA081989R1	1/2 Kit - 4p			AuxV

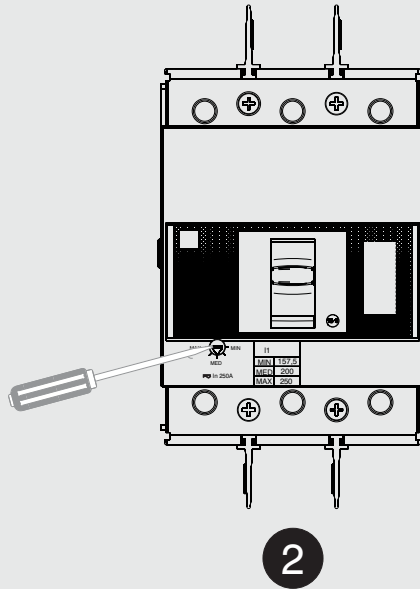
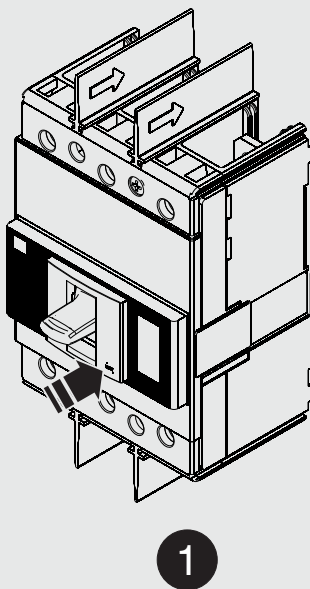
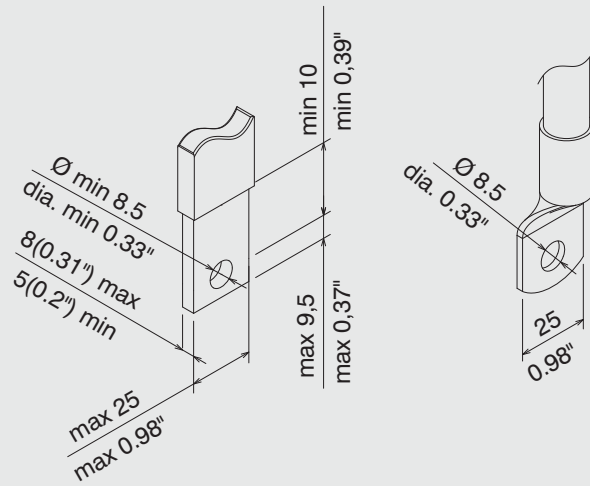
FC Cu 10...250 AWG	1SDA114853R1	1/2 Kit - 2p	1SDH000720R0807	1SDH000720R0107
	1SDA075885R1	1/2 Kit - 3p		
	1SDA075886R1	1/2 Kit - 4p		

MC Cu 6x12...2 AWG	1SDA075905R1	1/2 Kit - 3p	1SDH000719R0808	1SDH000720R0107
	1SDA075906R1	1/2 Kit - 4p		

HR/VR	1SDA066272R1	1/2 Kit - 3p	1SDH000719R0809	1SDH000720R0109
	1SDA066273R1	1/2 Kit - 4p		

R-RC	1SDA066954R1	1/2 Kit - 4p	1SDH000719R0810	
-------------	--------------	--------------	-----------------	--

FB	1SDA066965R1	1/2 Kit - 3p	1SDH000719R0814	
	1SDA066966R1	1/2 Kit - 4p		



MCP			
MCP reg 6-12			
In	min	med	max
100	600	900	1200
110	660	990	1320
125	750	1125	1500
150	900	1350	1800
200	1200	1800	2400

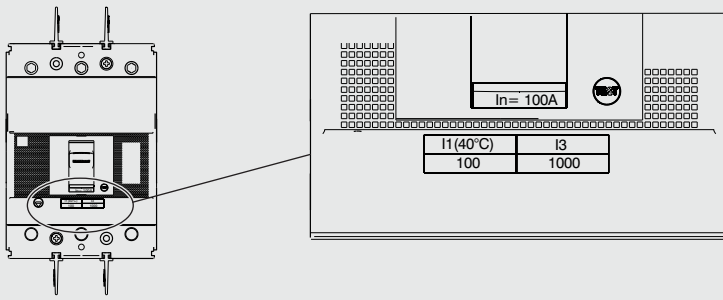
E'obbligatorio mettere l'interruttore in posizione Trip test prima di regolare il termomagnetico.

It is compulsory to turn the circuit breaker to Trip test mode before adjusting the thermomagnetic release.

Der Leistungsschalter muss vor Einstellung des thermomagnetischen Auslösers zwingend in die Prüfstellung geschaltet werden.

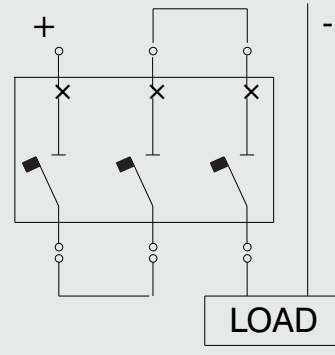
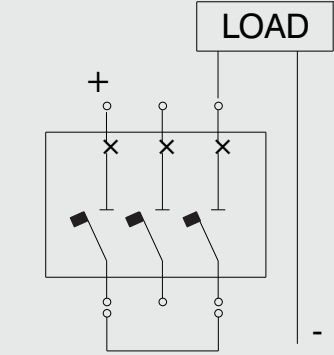
Il est obligatoire de mettre le disjoncteur en position de Test de Déclenchement avant de régler le déclencheur magnétothermique.

Es obligatorio situar el interruptor en posición "Test de Disparo" antes de realizar el ajuste del relé termomagnético.



UP TO 250 Vdc

UP TO 500 Vdc



GROUND - UNGROUND

GROUND - UNGROUND

	Type	In	I1	I3
AC	Fixed	60	60	600
		70	70	700
		80	80	800
		90	90	900
		100	100	1000
		110	110	1100
		125	125	1250
		150	150	1500
		175	175	1750
		200	200	2000
		225	225	2250
DC*	Fixed	225	225	3375

* = In < In max, please ask ABB SACE