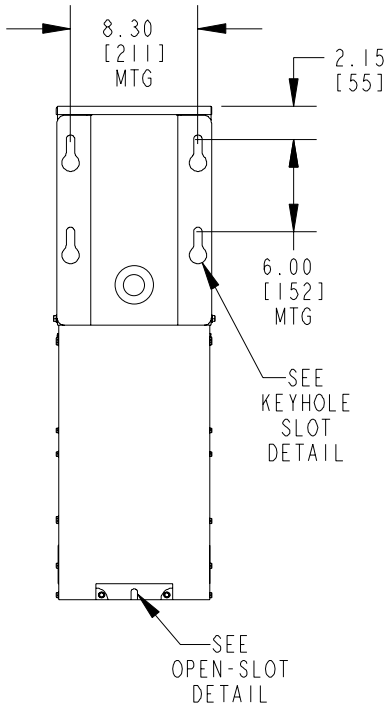
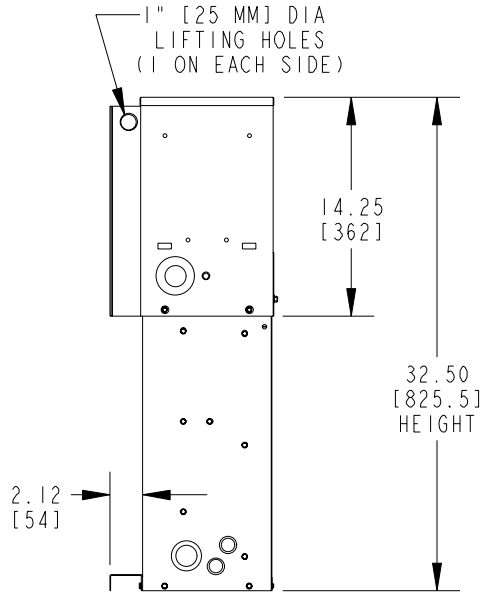


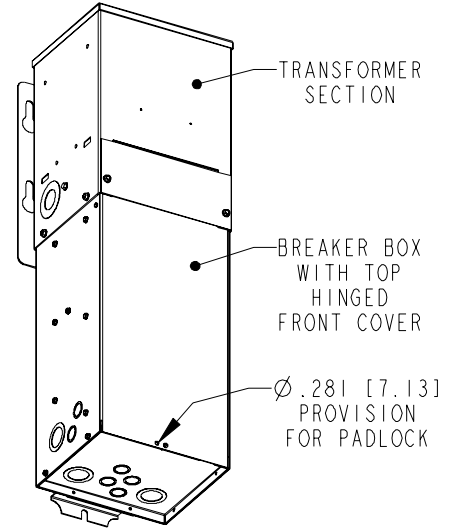
REAR VIEW



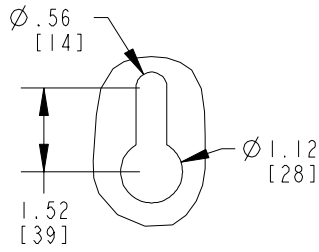
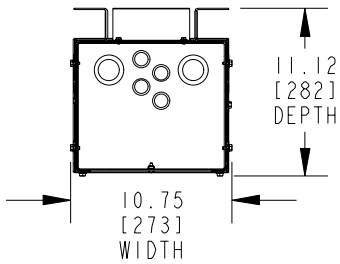
SIDE VIEW



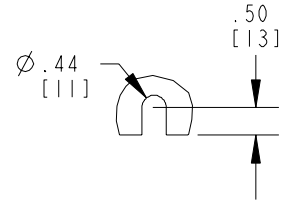
ISOMETRIC VIEW



BOTTOM VIEW



KEYHOLE SLOT DETAIL



OPEN-SLOT DETAIL

APPROX TOTAL WEIGHT LBS [KG]
PAINTED: 130 [59]

kVA RATING:
K-FACTOR:
PRI VOLTAGE:
SEC VOLTAGE:
FREQ (Hz):
TEMP RISE:
WINDING MATL:
ES SHIELD:
SOUND LVL (dB):

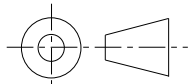
KNOCKOUTS	CONDUIT SIZE	QUANTITY	
		EACH SIDE	REAR/BOTTOM
TRANSFORMER	1" OR 2" [27 OR 53]	1	1
BREAKER BOX	1/2" OR 3/4" [16 OR 21]	2	4
	1" OR 1-1/2" [27 OR 41]	1	2

JOB NAME:

UNLESS OTHERWISE SPECIFIED
 ALL DIMENSIONS ARE INCH [MM]



THIRD ANGLE PROJECTION



DRY TYPE TRANSFORMER OUTLINE DRAWING
TYPE QMS/SERVICENTER, 1-PHASE
(INDOOR/OUTDOOR MINI-UNIT SUBSTATION)

electrification.us.abb.com

CAD DRAWING: 303B915AAP005

SHEET 1 OF 1

CATALOG #

REV **7**