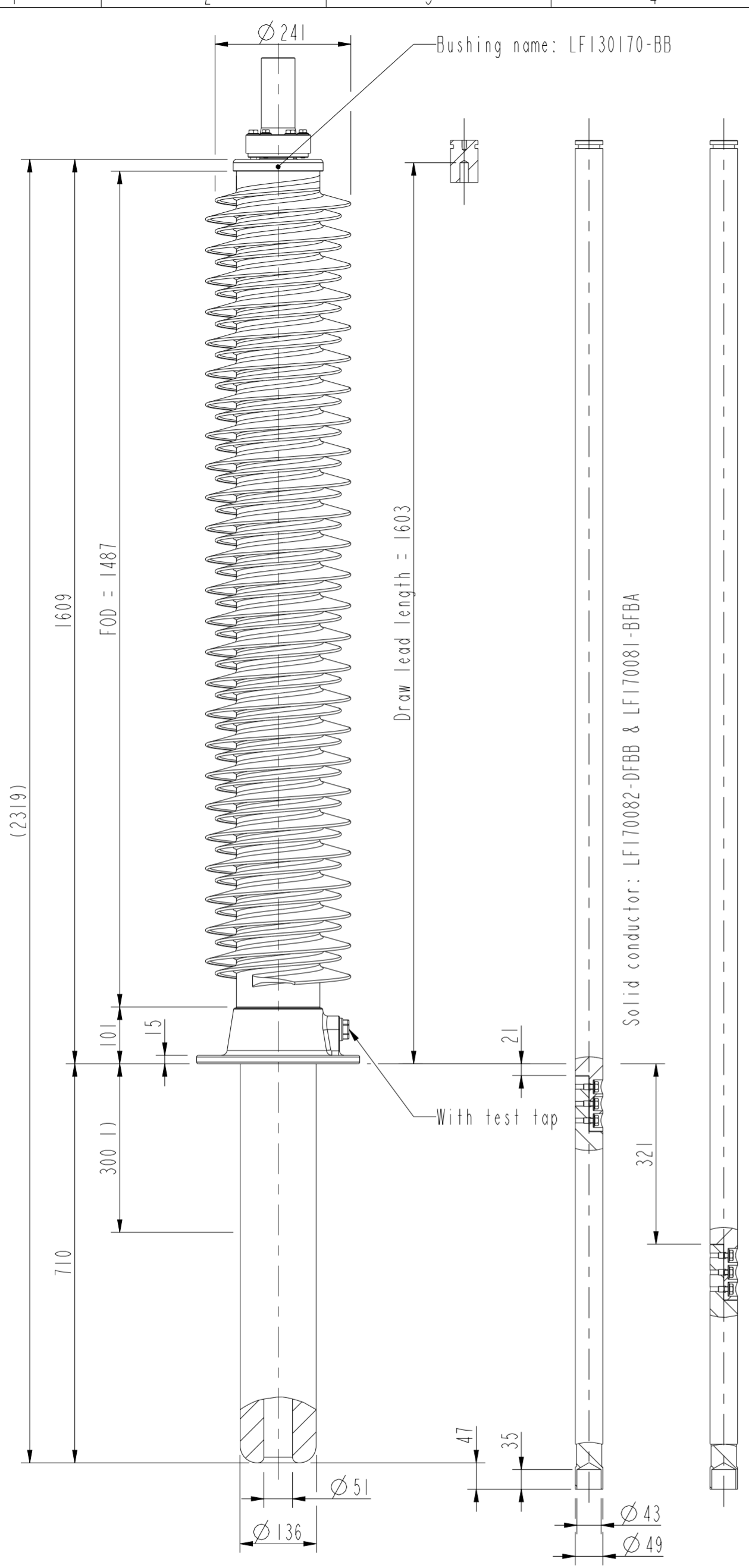
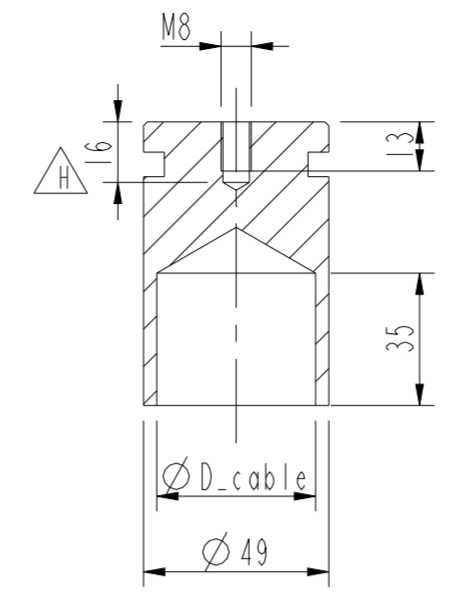


This document is issued by means of a computerized system. The digitally stored original is electronically approved. The approved document has a date entered in the "Approved"-field. A manual signature is not required.

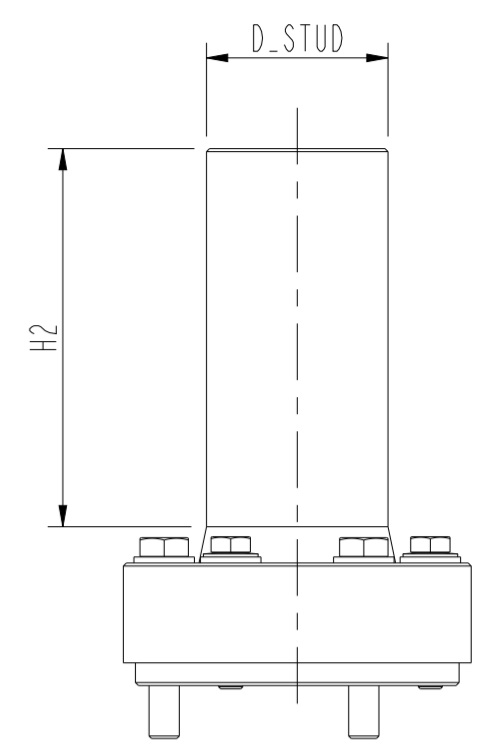
Revision: Revision text
H Nominal capacitance updated



INNER TERMINAL	
Catalogue No	D_CABLE
LFI70080-A	5
LFI70080-B	11
LFI70080-C	13
LFI70080-D	15
LFI70080-E	18
LFI70080-F	30
LFI70080-G	42
LFI70080-H	45

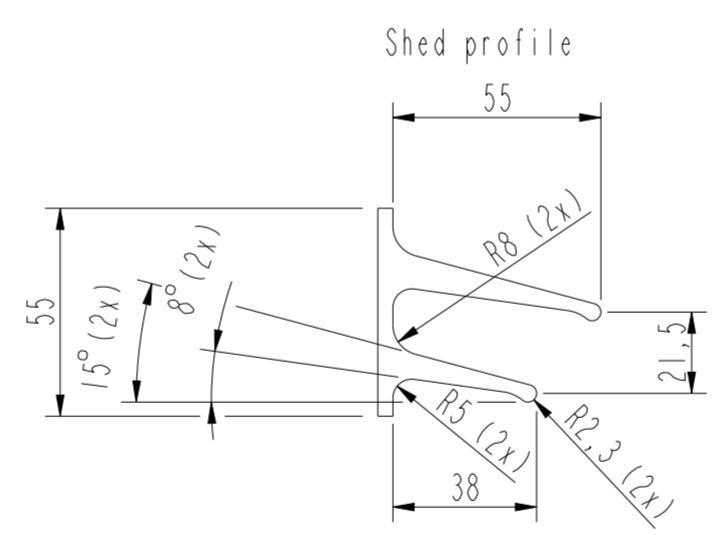


OUTER TERMINAL				
Catalogue No	MATERIAL	MASS	H2	D_STUD
LFI70079-A	Al	2,3	125	60
LFI70079-B	Al	1,5	125	30
LFI70079-C	Cu	6,1	125	60
LFI70079-D	Cu	3,5	125	30
LFI70079-E	Cu/Sn	6,1	125	60
LFI70079-F	Cu/Sn	3,5	125	30
LFI70079-G	Cu/Ag	6,1	125	60
LFI70079-H	Cu/Ag	3,5	125	30
LFI70079-AD	Cu/Ag	3,4	80	40
LFI70079-AE	Cu	3,4	80	40
LFI70079-AF	Cu/Ag	5,0	125	2"-12 UNF



SOLID CONDUCTOR, UPPER	
Catalogue No	MASS
LFI70081-BFBA	28,8
LFI70081-FBB	33,9

SOLID CONDUCTOR, LOWER	
Catalogue No	MASS
LFI70082-DBFBA	5,8
LFI70082-DFBB	10,9



ELECTRICAL DATA acc. to IEC 60137			
Ratings	Rated voltage	170	kV
	Rated phase-to-earth voltage	98	kV
	Max. phase to earth voltage, temporary	170	kV
	Max. current with Cu-conductor	1600	A
	Max. current with stranded cable 740 mm ²	1250	A
	Dry lightning impulse	750	kV
Routine test	Wet power frequency	325	kV
	Dry power frequency	365	kV
Capacitance	Nominal capacitance	404	pF

GENERAL DATA			
Silicone rubber insulator	Creepage distance	5504	mm
	Protected creepage distance	2400	mm
Mass	Color	Light gray	ANSI 70
	Bushing	59	kg
Cantilever load	Cantilever test load, according to IEC 60137	4000	N
	Max. cantilever operating load, bushing	2000	N
Temp. class	According to IEC 60137	Class	3
Mounting and service instructions	2750515-115		

ELECTRICAL DATA acc. to ANSI C57.19.00			
Ratings	Insulation class	161	kV
	Rated max. line to ground voltage	102	kV
	Max. current with Cu-conductor	1600	A
	Max. current with stranded cable 740 mm ²	1250	A

Dim. requirements acc. to C57.19.1 not fulfilled			
Approved 2018-02-20	Document Kind Outline Drawing	Based on doc. id	Work order id
Company ABB Technology Ltd	Title, Supplementary title Dimension drawing GSA 170-OA 1600/0.3		
Responsible Department SEABB-9AAE300824	Måttskiss GSA 170-OA 1600/0.3		
Document id 2751362-FBB	Status Released	Revision H	Iteration 1/1

ABB Ludvika, Sweden

GSA 170-OA1600/0.3 LFI30170-BB
No.

Um 170 kV Ir1600 A 50/60 Hz
BIL 750 kV SIL - kV AC 365 kV
M 59 kg L 710 mm \sphericalangle 0-90°

C1 pF Tan δ x
C2 pF Tan δ x

1) Maximum space for wall and CT