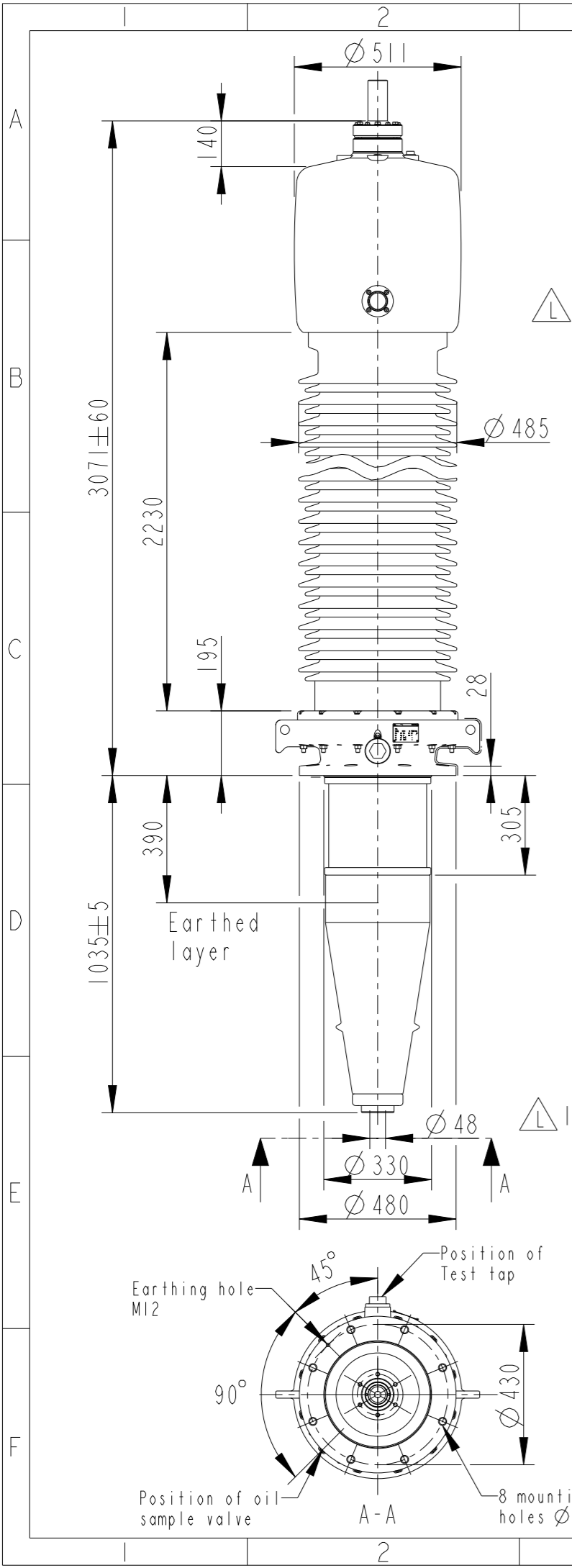


This document is issued by means of a computerized system. The digitally stored original is electronically approved. The approved document has a date entered in the "Approved"-field. A manual signature is not required.

We reserve all rights in this document and in the information contained therein. Reproduction, use or disclosure to third parties without express authority is strictly forbidden. © 2022 Hitachi Energy.



**Bushing Data:**

Rated Voltage	362 kV
Phase to-earth Voltage	209 kV
Dry Lightning Impulse 1,2/50µs	1050 kV
Wet Switching Impulse	750 kV
Wet Power frequency AC	480 kV
Routine test Imin dry 50Hz	505 kV
Rated Current	3150 A
Creepage Distance	8190 mm
Mass	765 kg

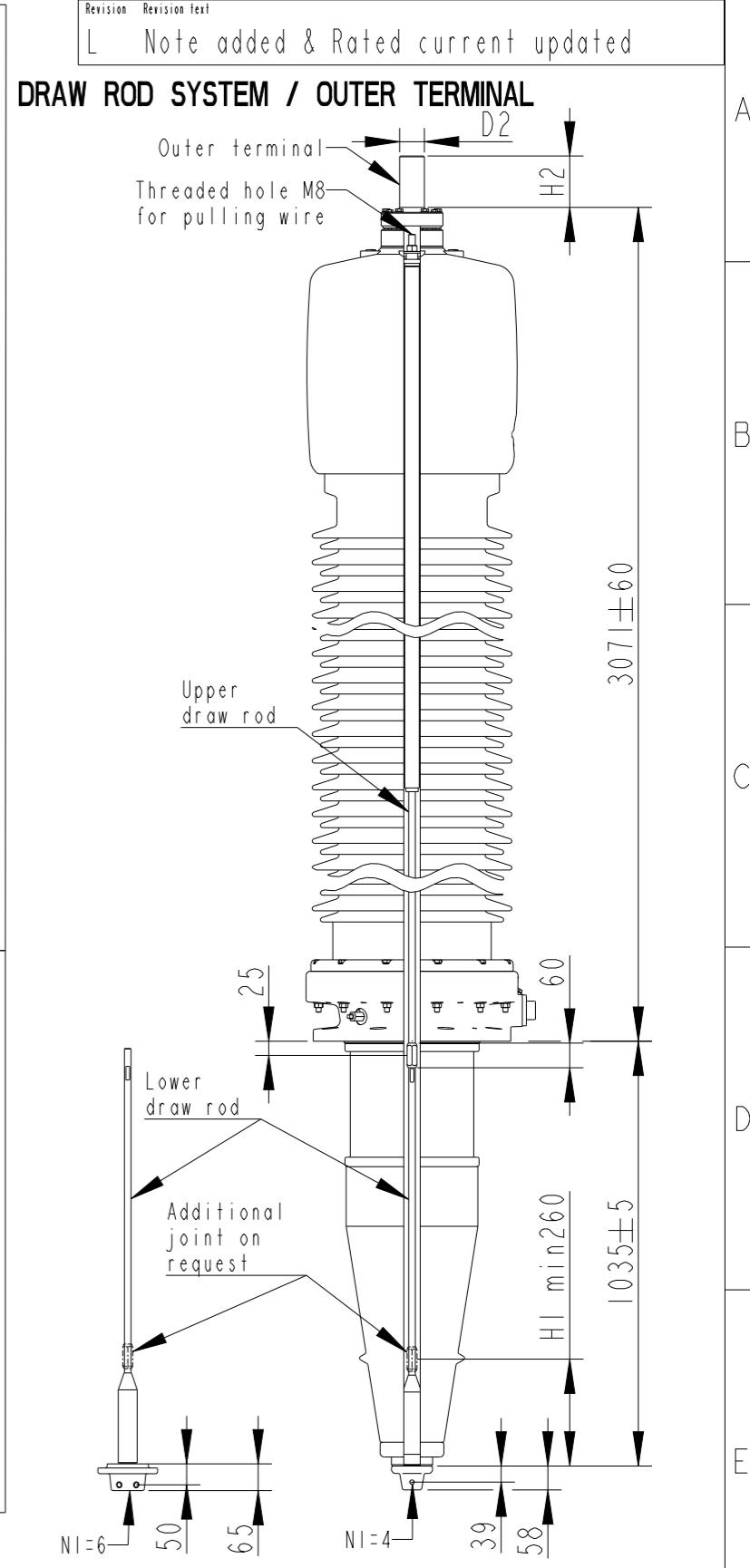
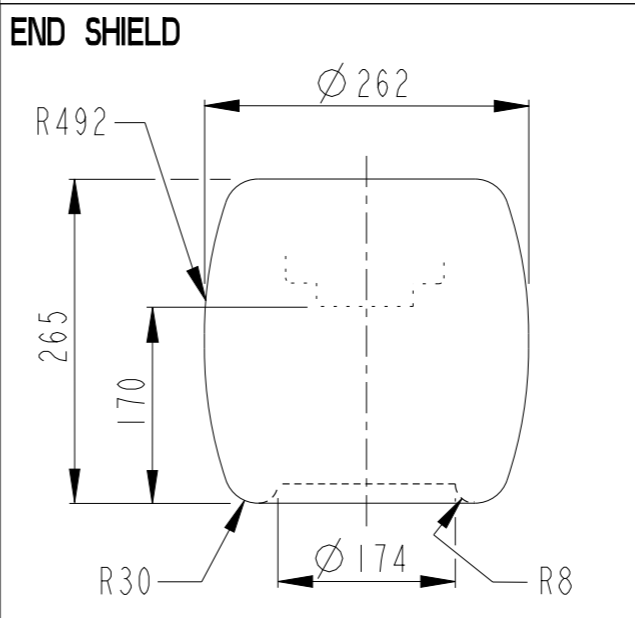
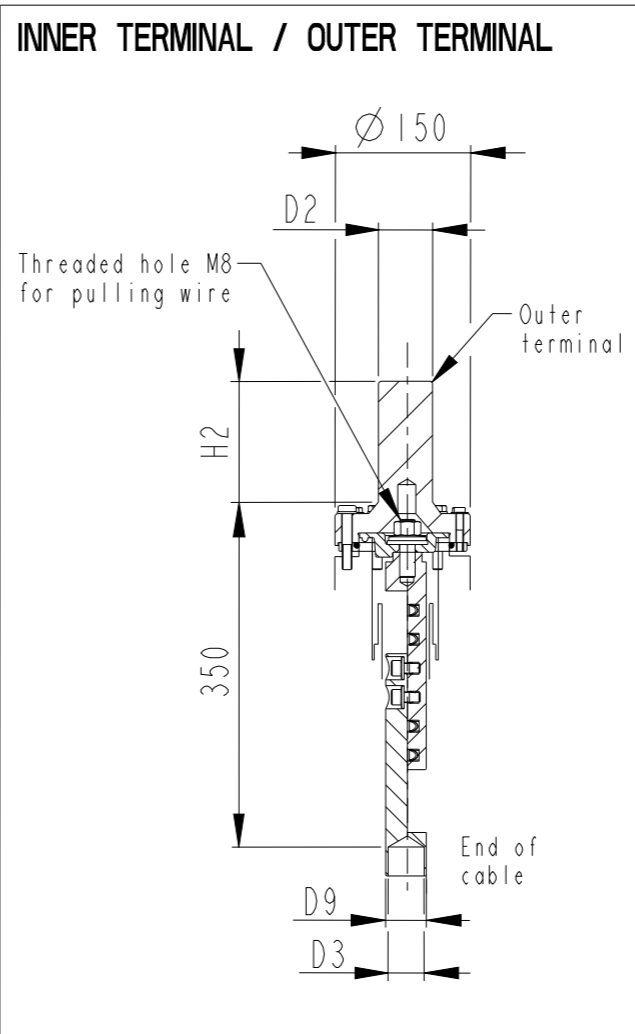
**Ordering Data:**

<b>BUSHING</b>		COLOUR AIR INSULATOR			
IZSC902245-AAA		BROWN			
IZSC902245-BAA		GREY			
<b>OUTER TERMINAL</b>					
		Max. Rated H2	D2		
		Current (A)(mm)	(mm)		
LF170 073-A	Al	2500	125 60		
LF170 073-B	Cu	4000	125 60		
LF170 073-G	Cu/Ag	4000	125 60		
LF170 073-L	Cu/Sn	4000	125 60		
LF170 073-BA	Cu/Ag	3000	125 2"-12UN		
LF170 073-AA	Cu	5000	115 96		
<b>END-SHIELD</b>					
LF170 046-U		EPOXY INSULATED			
LF170 046-UP		INSULATED WITH 3 mm PRESSBOARD			
<b>DRAW ROD SYSTEM</b>					
LF170 059		LOWER DRAW ROD WITH NI=4 OR NI=6			
LF170 057		UPPER DRAW ROD			
<b>INNER TERMINAL</b>					
	D3	D9	Cond.area	Current (A)	
	(mm)	(mm)	(mm <sup>2</sup> )	IEC	IEEE
LF170 056-E	0 *)	45	-	-	-
LF170 056-D	40	45	600	1600	1360

\*) WITH PILOT HOLE D=5

1) GOE 1050 bushing can be used for 245 kV system voltage to meet all the requirements of Table 3, IEC 60137.

ABB		Ludvika, Sweden	
No.	Um/Uy	kV Ir	A 50/60 Hz
BIL	kV SL	kV AC	kV °
M	kg L	mm	✓
C1	pF Tan δ	x	
C2	pF Tan δ	x	



NI=Number of holes M12, equipped with thread insert with screw lock, depth 20, for cable lugs.

DOCUMENT KIND	APPROVED	TITLE / SUPPLEMENTARY TITLE	
Dimension Drawing	2022-12-22	GOE 1050-750-3150-0.3	
RESPONSIBLE DEPARTMENT		GOE 1050-750-3150-0.3	
SEABB-9AAE300824			
RESPONSIBLE COMPANY	DOCUMENT ID	STATUS	REVISION
Hitachi Energy Sweden AB	2751369-311	Approved	L
		SHEET	1/1