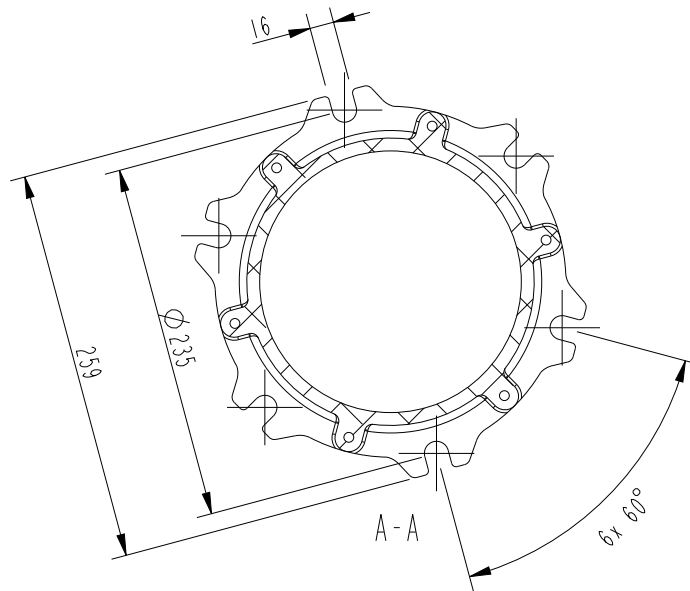
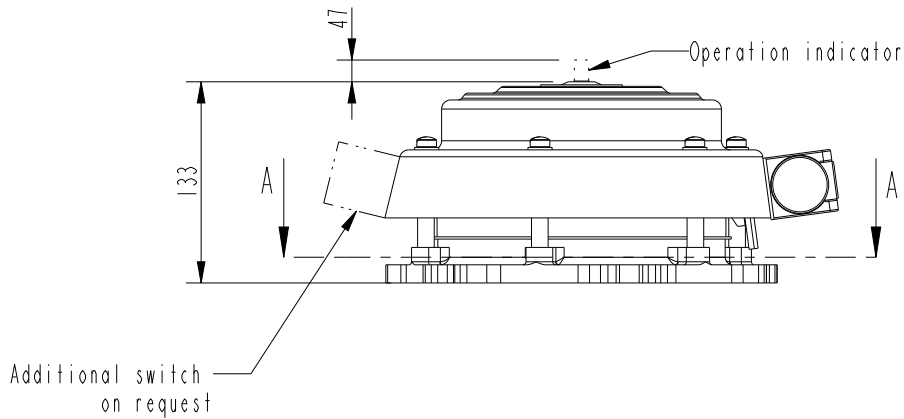
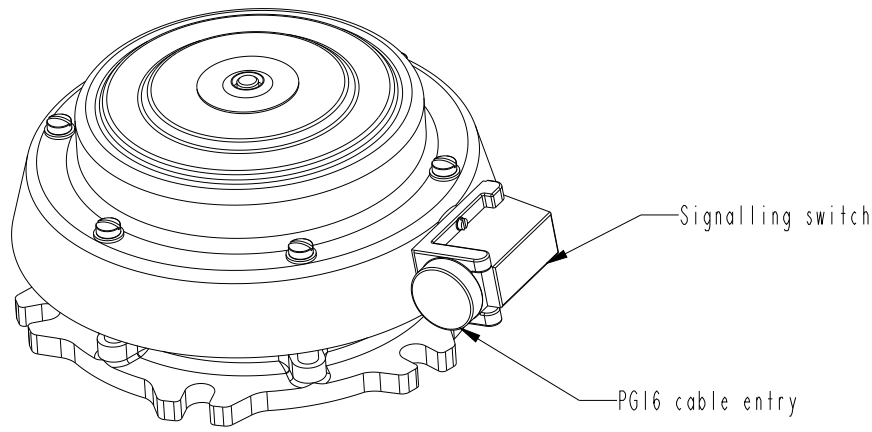


This document is issued by means of a computerized system.
 The digitally stored original is electronically approved. The
 approved document has a date entered in the 'Approved'-field.
 A manual signature is not required.



We reserve all rights in this document and in the information contained therein. Reproduction, use or disclosure to third parties without express authority is strictly forbidden. © Copyright 2015 ABB. All rights reserved.

Date / Approved
 2019-07-04

Responsible department
 PGCO/TK

Document Kind
 DIMENSION DRAWING



Title
 Press. relief valve Qualitrol
 Avlastningsventil Qualitrol

Document Id.
 54920083-15

Revision
 B

Language
 82

Sheet
 1/1