

FCNA-01 ControlNet adapter module

Quick installation and start-up guide

Safety instructions

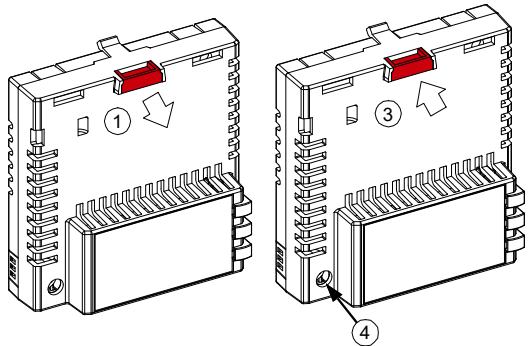


WARNING! Obey the safety instructions of the drive. If you ignore them, injury or death, or damage to the equipment can occur.

Mechanical installation

1. Pull out the lock.
2. Install the module carefully to an option module slot of the drive. See the drive hardware manual.
3. Push in the lock.
4. Tighten the screw to torque 0.8 N-m using a Torx TX10 screwdriver.

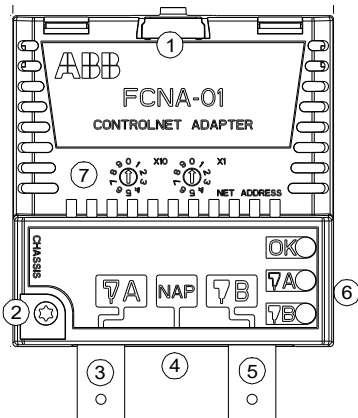
If you need to remove the adapter module after it has been installed into the drive, use a suitable tool (e.g. small pliers) to carefully pull out the lock.



WARNING! Do not use excessive force, or leave the screw too loose. Over-tightening can damage the screw or module. A loose screw decreases the EMC performance, and can cause an operation failure.

Electrical installation

Layout of the module



No.	Description
1	Lock
2	Mounting and grounding screw
3	Bus connector line [A]
4	Network access port (NAP) for a temporary connection of configuration tools
5	Bus connector line [B]
6	Diagnostic LEDs
7	Node ID address selection switches

■ Connection procedure

Connect the bus cable to the BNC connectors [A] and/or [B] on the module. Use both connectors in redundant operation, otherwise use either connector [A] or [B].

Start-up

To control the drive with the adapter module, set at least the basic parameters listed in the table below. For full parameter descriptions, refer to the adapter module's user manual or to the drive's firmware manual.

■ Basic parameter settings

Index	Name	Value
20.01	Ext1 commands	Fieldbus A
22.11	Speed ref1 source	FBA A ref 1
28.11	Frequency ref1 source	FBA A ref 1
50.01	FBA A enable	Enable (or select the option slot in which the module is installed)
50.02	FBA A comm loss func	Fault
51.02	Profile	The ODVA AC/DC drive profile is the default value.

To take the settings into use, validate and refresh the parameters with parameter 51.27 FBA par refresh. Set the node address of the device with the rotary switches on the module.

Further information

See the latest version of FCNA-01 ControlNet adapter module user's manual (3AUA0000141650 [English]) in ABB library (www.abb.com/drives/documents).



FCNA-01 manual

For more information on ABB fieldbus options and protocols, see the fieldbus communications web page (new.abb.com/drives/connectivity/fieldbus-connectivity).



Fieldbus communications web page

abb.com/drives

© Copyright 2023 ABB. All rights reserved.
Specifications subject to change without notice.



3AXD50000158201B

