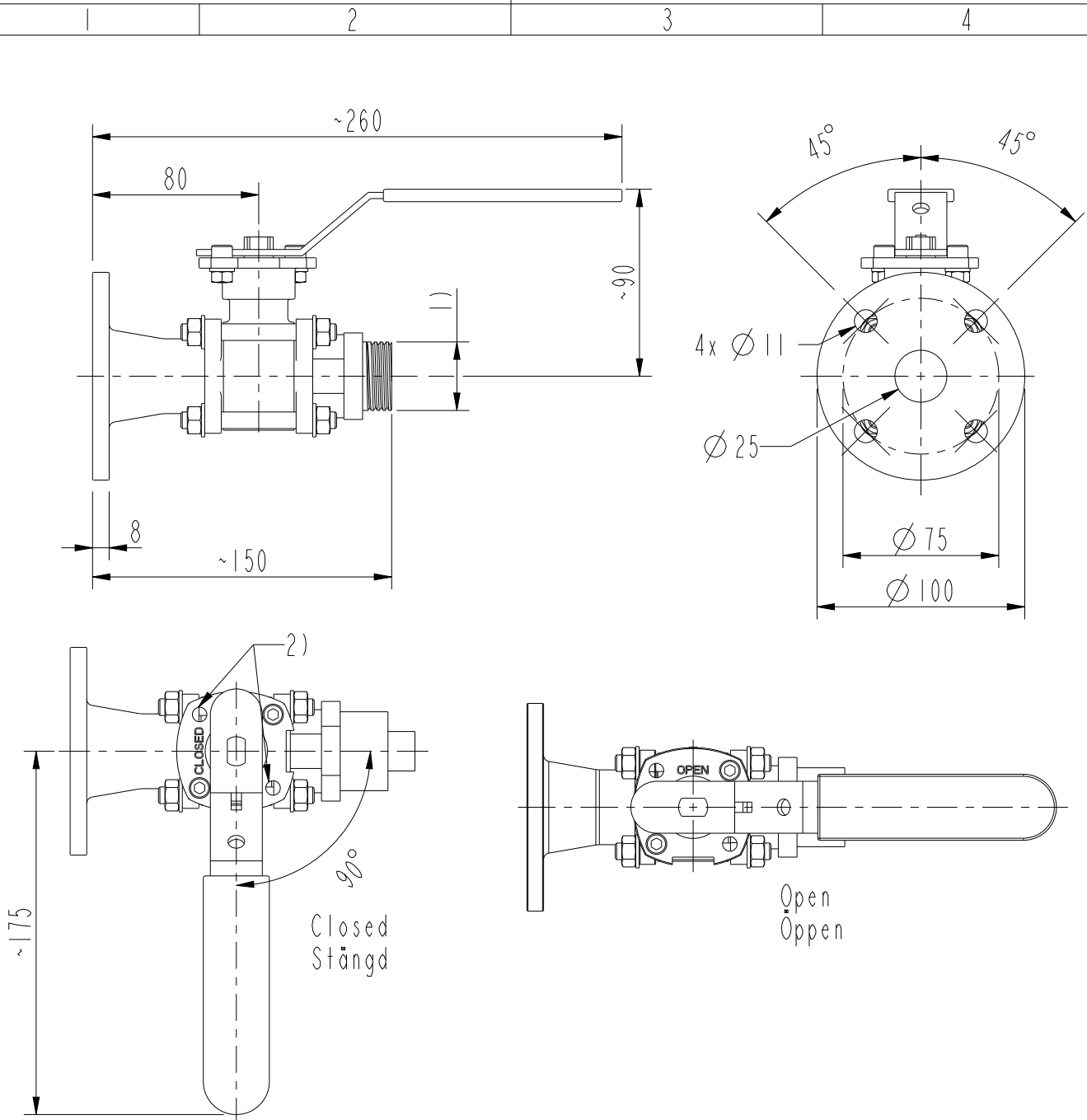


This document is issued by means of a computerized system.  
 The digitally stored original is electronically approved. The  
 approved document has a date entered in the 'Approved'-field.  
 A manual signature is not required.



1) Inside thread G 1" or inside thread NPT 1" or outside thread G1"  
 Invändig gänga G 1" eller invändig gänga NPT 1" eller utvändig gänga G1"

2) Ø 7 for padlock  
 Ø 7 för hänglås

We reserve all rights in this document and in the information contained therein. Reproduction, use or disclosure to third parties without express authority is strictly forbidden. © Copyright 2015 ABB. All rights reserved.

Date / Approved 2015-04-13		Responsible department PPCO/TK		Document Kind DIMENSION DRAWING			
<b>ABB</b>		Title BALL VALVE G1" & NPT 1" KULVENTIL G1" & NPT 1"					
		Document Id. 54920083-10				Revision B	Language 82