
 TECHNICAL DATA SHEET

ABB cable glands – STE Star Teck® extreme series

Industrial applications



The STAR TECK® STE fitting for Teck, MC and ACWU - its innovative design provides quality engineering, easier installation and helps achieve safer, more reliable terminations in challenging industrial environments. The STE offers a broader cable range per fitting compared to the regular ST series.

Certifications / Standards:



Features & Benefits:

- Excellent pullout strength
- Robust metallic construction
- Quick and easy installation without disassembly
- Extended clamping range taking
- Provides grounding continuity of cable armor
- Splined gland and gripping features for ease of installation
- Removable armor-stop for greater cable ranges

Applications:

- Provides means for passing jacketed metal clad cables through a bulkhead or enclosure in industrial and hazardous areas
- Oil and gas Industry, chemical and industrial markets
- Construction and installation zones where metal clad cables are specified
- Suitable for cable types:
 - Jacketed Teck and ACWU
 - Armored control and instrument (ACIC)
 - Type MC: Jacketed corrugated metal clad (aluminum and steel)

Material:

- Copper free aluminum
- Zinc plated steel option

Environmental ratings:

Working Temperature:

- Normal use -40 to +90°C (-40 to +194°F)

Ingress protection:

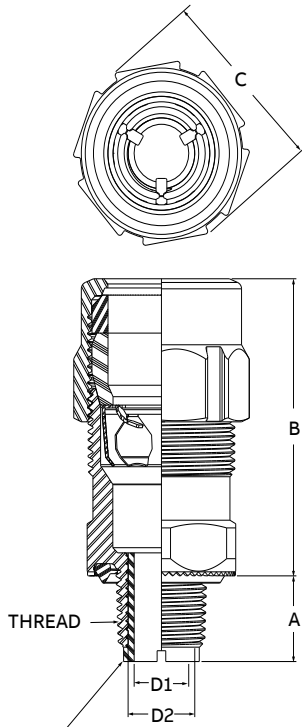
- Type 4 / 4X

Chemical resistance guide:

- See publication TDS000081

Conforms to:

- CSA E60079-0/-7
 - Ex e II
- CSA C22.2 No.25/-174
 - Class I Div2 ABCD Class II Div1 EFG Class III Div1
 - Refer to CEC for specific applications
 - Class I Div1 when used in combination with a sealing fitting certified for Class I Div 1 locations
- UL2279
 - Class I, Zone 1, AEx e II
- UL514B/50 and CSA C22.2-18.3/-94
 - Wet and Dry Locations
 - Suitable for Class I Div 2, Class II Div 2 and Class III location per NEC
- RoHS (Restriction of Hazardous Substances Directive) 2011/65/EU Incorporating 2015/863 amendment to Annex II



REMOVABLE ARMOR STOP, SEE
"D" DIMENSIONS
D1 = WITH ARMOR STOP
D2 = WITHOUT ARMOR STOP

Product selection

Part no:	Thread (NPT)	Range over jacket		Range over armour		Nominal dimensions				
		Min	Max	Min	Max	A	B	C	D1	D2
STE050 DATA	1/2	12.70 (0.500)	17.78 (0.700)	10.41 (0.410)	15.49 (0.610)	15.75 (0.620)	53.34 (2.100)	34.54 (1.360)	9.53 (0.375)	13.08 (0.515)
STE050	1/2	15.24 (0.600)	25.02 (0.985)	13.21 (0.520)	22.73 (0.895)	15.75 (0.620)	64.01 (2.520)	41.40 (1.630)	12.83 (0.505)	15.67 (0.617)
STE075	3/4	21.84 (0.860)	30.61 (1.205)	19.81 (0.780)	28.58 (1.125)	16.00 (0.630)	72.14 (2.840)	52.83 (2.080)	16.38 (0.645)	20.85 (0.821)
STE100	1	24.13 (0.950)	34.93 (1.375)	22.10 (0.870)	32.89 (1.295)	19.94 (0.785)	76.71 (3.020)	58.42 (2.300)	19.94 (0.785)	26.54 (1.045)
STE125	1-1/4	29.21 (1.150)	41.28 (1.625)	25.15 (0.990)	37.21 (1.465)	20.57 (0.810)	101.85 (4.010)	71.63 (2.820)	24.64 (0.970)	31.75 (1.250)
STE150	1-1/2	36.58 (1.440)	49.91 (1.965)	32.51 (1.280)	45.85 (1.805)	20.96 (0.825)	108.97 (4.290)	82.55 (3.250)	32.00 (1.260)	39.67 (1.562)
STE200	2	46.36 (1.825)	60.33 (2.375)	42.29 (1.665)	56.26 (2.215)	21.84 (0.860)	104.65 (4.120)	91.44 (3.600)	41.78 (1.645)	50.17 (1.975)
STE250	2-1/2	57.53 (2.265)	72.14 (2.840)	53.47 (2.105)	68.07 (2.680)	32.51 (1.280)	144.02 (5.670)	120.65 (4.750)	52.71 (2.075)	61.72 (2.430)
STE300	3	67.82 (2.670)	83.06 (3.270)	64.64 (2.545)	79.88 (3.145)	33.66 (1.325)	146.81 (5.780)	137.16 (5.400)	64.29 (2.531)	73.56 (2.896)
STE350	3-1/2	81.79 (3.220)	98.30 (3.870)	78.49 (3.090)	92.46 (3.640)	35.31 (1.390)	145.80 (5.740)	149.86 (5.900)	77.85 (3.065)	86.87 (3.420)
STE400	4	93.09 (3.665)	110.24 (4.340)	90.17 (3.550)	107.32 (4.225)	35.31 (1.390)	147.07 (5.790)	162.56 (6.400)	89.54 (3.525)	99.57 (3.920)

To order steel version, add suffix "S". Ex: STE050S

Contact your representative for availability

Dimensions may vary depending on material selection.

Note: Product must be installed in accordance with applicable national and local electrical codes.

