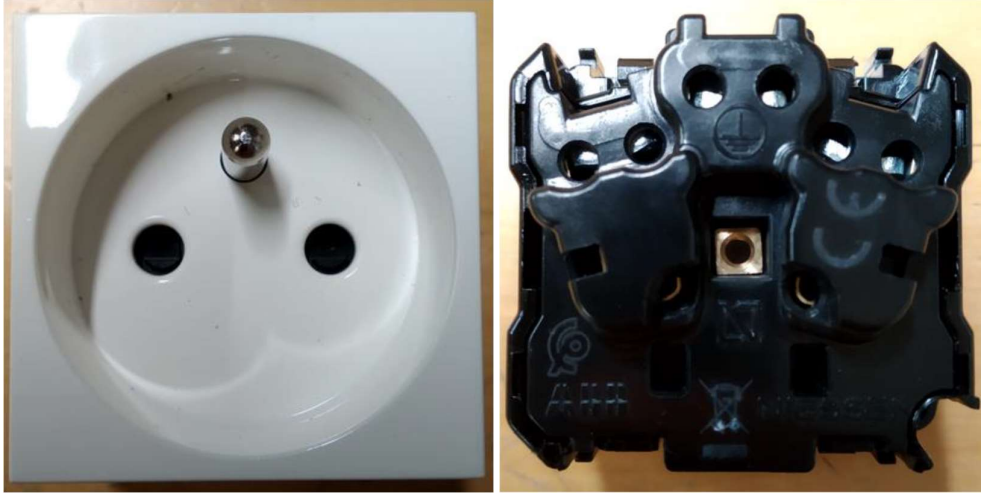


Declaration of Conformity

This declaration of conformity is issued under the sole responsibility of the manufacturer. We, Asea Brown Boveri, S.A. Fábrica NIESEN hereby confirm that the following equipment:

R2287 XX: French socket outlet 2M

(The endings XX correspond to manufacturer's colour codes BL = White; PL = Silver; AN = Anthracite; CV = Champagne).



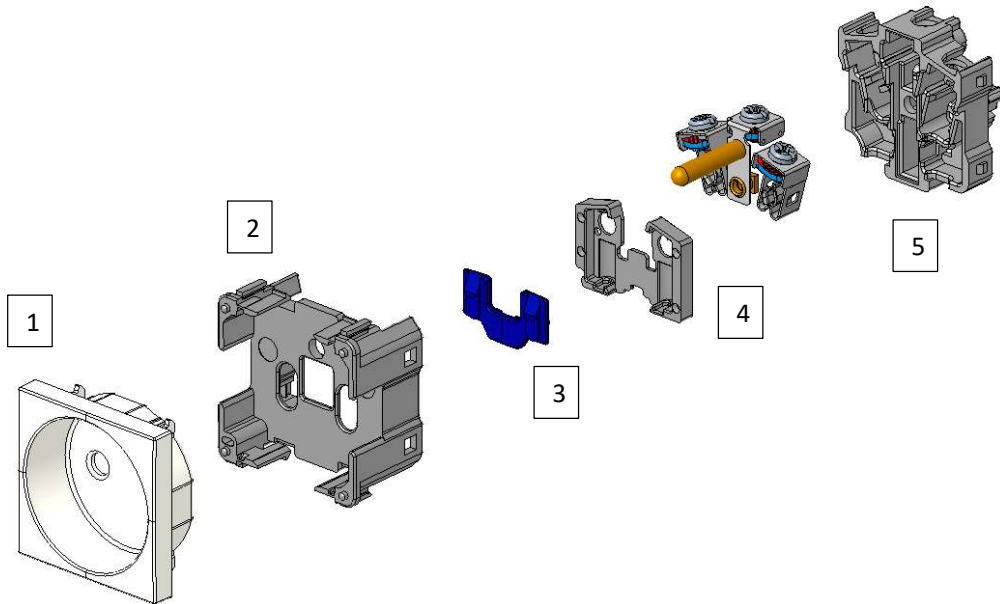
Is type tested and comply with the relevant parts of the following different standards for Railway and Residential applications mentioned in this document.

To which this declaration relates is in conformity with the following standard(s) or other document(s).

- EN 45545-2+A1:2015** - Railway applications- Fire protection on railway vehicles - Part 2: Requirements for fire behavior of materials and components.

Resina urea where R26 is met according to the requirements of the standard EN 45545-2+A1:2015.

Makrolon 6557 HF where R22 is met according to the requirements of the standard EN 45545-2+A1:2015.



	Part Ident number (2CLA228700R1101)	Part Name (Description)	Weight	Material Name	Material Ident number	Test Report
1	2CLP228701R1101	Cover	10,251 g	Makrolon 6557	2CLZ700024A1001	IK.LKA98.A97/20
2	2CLP228714R1401	Support cover	8,1 g	Makrolon 6557	2CLZ700051A1001	IK.LKA98.A97/20
3	2CLP228817A1701	Shutter	0,84 g	POLYONE A70 G15 TF10 U	2CLZ414650A1001	N/A *
4	2CLP228816A1601	Shutter cover	1,35 g	POLYONE A70 G15 TF10 U	2CLZ414650A1001	N/A *
5	2CLP818815A1501	Base	27,425 g	Urea resin	2CLZ132050A1001	DO-22-3864\A-R1

*Polyamide 6.6 NG V0 15FV 10 PTFE does not need to meet Railway requirements because it weighs less than 10g and is surrounded by materials that comply with EN 45545-2+A1:2015.

	PN-EN ISO 4589-2:2017-06	PN-EN ISO 5659-2:2017-08	EN 45545-2+A1:2015
	Oxygen index (OI)	Dsmax	R26 / HL level
Makrolon 6557	31,5±0,51	31,6	R22 / HL2 R22 / HL3
Urea resin	33,7	16	R26 / HL3 R26 / HL3

The result meets the requirements for R26 according to EN 45545-2+A1:2015 and EN 45545-2:2020 in the field of OI at the Hazard Level HL2, and in the field of Dsmax at the Hazard Level HL3.

Summary: The R2287 materials listed in this document are classified R26/HL2 or better.

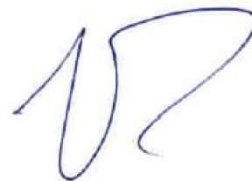
- UNE-EN 50155:2018** - Railway applications - Rolling stock - Electronic equipment- Ambient vibration. Test Report No.: 2022010034B1_B.
- IEC 60884-1** - Plugs and socket-outlets for household and similar purposes. Part 1: General requirements. Test Report No.: CEL-1075/21-2_1.
- UNE-EN 20315-1-1:2017** - Plugs and sockets-outlets for household and similar purposes. Part 1-1: General requirements. Test Report No.: CEL-0160/22-1.
- UNE-EN 20315-1-2:2017** - Plugs and sockets-outlets for household and similar purposes. Part 1-2: Dimensional requirements for Spanish System. Test Report No.: CEL-0160/22-1.

This confirmation is valid for the present design and for the use of the products according to the standards mentioned above.

Asea Brown Boveri, S.A.
Fábrica NIESSEN

Eusebio Irurieta Zabala
Product Compliance Manager

Iñaki Lete Jauregui
LBU Managing Director



2022-10-31, Oiartzun, Spain