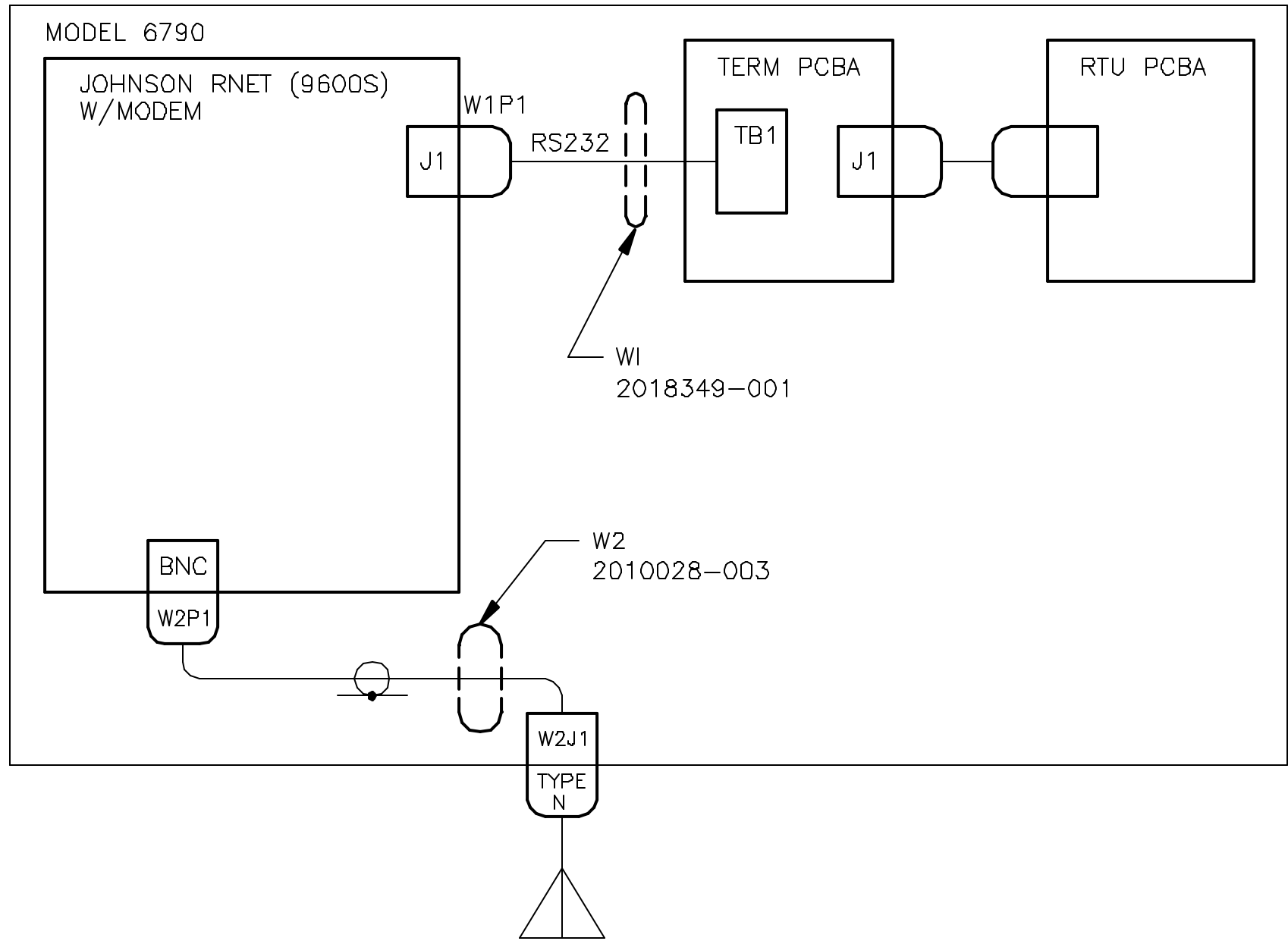


NOTES:

1. RADIO KEY DELAY MUST BE SET BETWEEN 200 & 250 MS. APPROPRIATE SOFTWARE CONTAINING PROM RAD DELAY MUST BE USED.

REVISIONS					
REV	ACTION	DRAWN	CHECKED	APPROVED	DATE
AA	L6293	TIERNEY	TIERNEY	HOLLAND	99/02/05
AB	D12504	KASTNER	KASTNER	HOLLAND	02/01/16



ASSEMBLY/QUANTITY	ITEM NO.	PART NUMBER	DESCRIPTION	REF/ZONE DESIG MATERIAL	UNIT MEAS
PARTS LIST					
DO NOT SCALE DRAWING		UNLESS OTHERWISE SPECIFIED DIMENSIONS ARE IN INCHES		TOTALFLOW® LEVEL 3 ABB TOTALFLOW Products	
THIRD ANGLE PROJECTION		TOLERANCES ARE:		TITLE	
		DECIMAL		WIRING INTERCONNECT	
		ANGULAR		JOHNSON RNET (9600S) W/MODEM TO RTU PCBA	
		BREAK ALL SHARP CORNERS AND EDGES		WI	
		DIMENSIONS APPLY BEFORE FINISH		SCALE	
				NONE	
				SIZE	
				B	
				DOC TYPE	
				WI	
				DRAWING NO.	
				2018352	
				REV	
				AB	
				SHEET	
				1 OF 2	

RTU PCBA
 2015080-001/002
 2017245-001/002

JOHNSON RNET (9600S)
 W/MODEM

DE-15S	SOC	PIN
	1	1
RXD	2	2
TXD	3	3
+VDC	5	5
GND	6	6
RTS	8	8

BRN
 GRN
 WHT
 BLK
 RED

TERM PCBA
 2010232-004

TB1	
6	BRN
5	GRN
4	WHT
3	BLK
7	RED
9	ORN
10	YEL
20	VBATT



JUMPER
 2 REQD
 2011753-001