

From former Eden sensors to Eden DYN

Eden = Adam + Eva

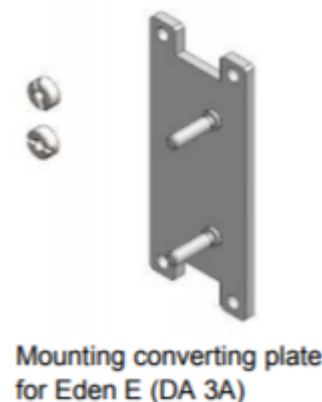
Eden E = Adam E + Eva E

Eden DYN = Adam DYN + Eva General code or Eva Unique code

- The products in the first column are not available anymore.
- The replacement product is indicated in the column “Replacement”. If several products are indicated (i.e. several rows in the case), all products should be used for replacement, except maybe DA 3A. See Note 1 page 5.
- Possible differences are indicated in the column “Comments”.
- When replacing Eden E or Eden EC, see Note 2 page 5.
- When replacing a former Adam or Eva, **both Adam and Eva must be replaced**. See page 4.

Table of content

Eden E, i.e. Adam E + Eva E	2
Eden C and Eden EC	3
Eden, i.e. Adam + Eva	4
Compatibility between former models and present models	5



For more information on the products, please refer to the [Safety products catalog](#), the [web page](#) or the Eden [Eden DYN manual](#).



Eden E, i.e. Adam E + Eva E

Note: Eden E and Eden DYN were made of different materials with different resistance to chemicals. The housing of Eden E was made of in Polyurethane (PU) and the housing of Eden DYN is made of Polybutylene terephthalate (PBT). The replacement products proposed offer the same function as the replaced product, with the differences indicated in the Comments, but Eden DYN might not be an appropriate replacement in presence of certain chemicals.

Former products Product ID	Former products Catalog Description	Replacement (the product is replaced by all the articles in the case)	Comments See Note above	
2TLA020046R0600	Eva E	2TLA020046R0800 2TLA020053R0600	Eva General code DA 3A	DA 3A only if replacement. See Note 1
2TLA020046R0700	Eva E Grey	2TLA020046R0800 2TLA020053R0600	Eva General code DA 3A	Eva General code is yellow, not grey DA 3A only if replacement. See Note 1
2TLA020051R0300	Adam E 5m cable with M12	2TLA020051R5100 2TLA020056R2200 2TLA020053R0600	Adam DYN-Info M12-5 contact M12-C612 cable DA 3A	– Cable is 6 m instead of 5 m – M12 connector between Adam and the cable (not on former model) – DA 3A only if replacement. See Note 1
2TLA020051R0600	Adam E 10m cable with M12	2TLA020051R5100 2TLA020056R2300 2TLA020053R0600	Adam DYN-Info M12-5 contact M12-C1012 cable DA 3A	– M12 connector between Adam and the cable (not on former model) – DA 3A only if replacement. See Note 1
2TLA020051R0700	Adam E 0,5m cable with M12	2TLA020051R5100 2TLA020056R2000 2TLA020053R0600	Adam DYN-Info M12-5 contact M12-C112 cable DA 3A	– Cable is 1 m instead of 0.5 m – M12 connector between Adam and the cable (not on former model) – DA 3A only if replacement. See Note 1
2TLA020051R0800	Adam E 20m cable with M12	2TLA020051R5100 2TLA020056R2400 2TLA020053R0600	Adam DYN-Info M12-5 contact M12-C2012 cable DA 3A	– M12 connector between Adam and the cable (not on former model) – DA 3A only if replacement. See Note 1
2TLA020051R0900	Adam E 1m cable with M12	2TLA020051R5100 2TLA020056R2000 2TLA020053R0600	Adam DYN-Info M12-5 contact M12-C112 cable DA 3A	– M12 connector between Adam and the cable (not on former model) – DA 3A only if replacement. See Note 1



Former products		Replacement		Comments
Product ID	Catalog Description	(the product is replaced by all the articles in the case)		See Note above
2TLA020051R4000	Adam E 0,5m cable with M12, Grey	2TLA020051R5100 2TLA020056R2000 2TLA020053R0600	Adam DYN-Info M12-5 contact M12-C112 cable DA 3A	<ul style="list-style-type: none"> – "Adam DYN-Info M12-5 contact" is yellow and not grey – Cable is 1 m instead of 0.5 m – M12 connector between Adam and the cable (not on former model) – DA 3A only if replacement. See Note 1
2TLA020051R4100	Adam E 10m cable with M12, Grey	2TLA020051R5100 2TLA020056R2300 2TLA020053R0600	Adam DYN-Info M12-5 contact M12-C1012 cable DA 3A	<ul style="list-style-type: none"> – "Adam DYN-Info M12-5 contact" is yellow and not grey – M12 connector between Adam and the cable (not on former model) – DA 3A only if replacement. See Note 1

Eden C and Eden EC

Former products		Replacement		Comments
Product ID	Catalog Description	(the product is replaced by all the articles in the case)		
2TLA020051R1400	Eden C 10m cable with M12	2TLA020051R5100 2TLA020046R0900 2TLA020056R2300	Adam DYN-Info M12-5 contact Eva Unique code M12-C1012 cable	M12 connector between Adam and the cable (not on former model)
2TLA020051R1600	Eden EC 10m cable with M12	2TLA020051R5100 2TLA020046R0900 2TLA020056R2300 2 x 2TLA020053R0600	Adam DYN-Info M12-5 contact Eva Unique code M12-C1012 cable DA 3A	<ul style="list-style-type: none"> – Different housing material, i.e. resistance to chemicals – M12 connector between Adam and the cable (not on former model) – DA 3A only if replacement. See Note 1



Eden, i.e. Adam + Eva

Former products		Replacement		Comments
Product ID	Catalog Description	(the product is replaced by all the articles in the case)		
2TLA020046R0000	Eva	2TLA020046R0800	Eva General code	
2TLA020046R0100	Eva Grey	2TLA020046R0800	Eva General code	Eva General code is yellow, not grey
2TLA020051R0000	Adam M12	2TLA020051R5100	Adam DYN-Info M12-5 contact	
2TLA020051R0100	Adam M12, Grey	2TLA020051R5100	Adam DYN-Info M12-5 contact	Adam DYN-Info M12-5 contact is yellow, not grey
2TLA020051R0200	Adam with 3m cable with M12	2TLA020051R5100 2TLA020056R2100	Adam DYN-Info M12-5 contact M12-C312 cable	M12 connector between Adam and the cable (not on former model)
2TLA020051R0400	Adam 10m cable with M12	2TLA020051R5100 2TLA020056R2300	Adam DYN-Info M12-5 contact M12-C1012 cable	M12 connector between Adam and the cable (not on former model)
2TLA020051R0500	Adam 20 m cable with M12	2TLA020051R5100 2TLA020056R2400	Adam DYN-Info M12-5 contact M12-C2012 cable	M12 connector between Adam and the cable (not on former model)
2TLA020051R2000	Adam 0,5m cable with M12	2TLA020051R5100 2TLA020056R2000	Adam DYN-Info M12-5 contact M12-C112 cable	<ul style="list-style-type: none"> – Cable is 1 m instead of 0.5 m – M12 connector between Adam and the cable (not on former model)
2TLA020051R3600	Adam 3m yellow cable with M12 male	2TLA020051R5100 2TLA020056R2100	Adam DYN-Info M12-5 contact M12-C312 cable	<ul style="list-style-type: none"> – Cable is grey, not yellow – M12 connector between Adam and the cable (not on former model)
2TLA020051R4200	Adam 3m cable with M12, Grey	2TLA020051R5100 2TLA020056R2100	Adam DYN-Info M12-5 contact M12-C312 cable	– "Adam DYN-Info M12-5 contact" is yellow and not grey M12 connector between Adam and the cable (not on former model)
2TLA020051R4300	Adam 10m cable with M12, Grey	2TLA020051R5100 2TLA020056R2300	Adam DYN-Info M12-5 contact M12-C1012 cable	<ul style="list-style-type: none"> – "Adam DYN-Info M12-5 contact" is yellow and not grey – M12 connector between Adam and the cable (not on former model)
2TLA020051R4400	Adam 6m cable with M12, Grey	2TLA020051R5100 2TLA020056R2200	Adam DYN-Info M12-5 contact M12-C612 cable	<ul style="list-style-type: none"> – "Adam DYN-Info M12-5 contact" is yellow and not grey – M12 connector between Adam and the cable (not on former model)

Compatibility between former models and present models

(extract of chapter 9 of the [Eden DYN manual](#), where the “analog models” are the former models)

The present models of Eden, Eden DYN models, and the former models of Eden use different technologies and they can behave differently, for ex. in presence of high interferences and magnetic fields. It is possible to mix former models and present models in the same safety circuit with these limitations:

- It is not possible to use former Adam with a present Eva (Eva Unique code/Eva General code).
- It is not possible to use a former Eva with an Adam DYN (present Adam models).
- The info output switches from +24 V to 0 V on former models. Eden DYN has only a 24 VDC Info output.
- When mounted close to metal, the detection distance might be shorter with the present models compared to the former models.
- When replacing a former Eden mounted in parallel with others, all former Eden mounted in parallel must be replaced with the present models.

Note 1:

Eva E and Eva General code have different mounting hole pattern, so do Adam E and Adam DYN. The DA 3A plate is used for mounting the newer models in the same holes as the former models. Therefore,

- the DA 3A adapting plate should be used for replacing an existing E model,
- on new machines, the mounting hole pattern of the present models should be used and the DA 3A is not necessary

Note 2:

- The housing of Eden E was made of in Polyurethane (PU) .
- The housing of Eden DYN is made of Polybutylene terephthalate (PBT).

The two materials present different resistance to chemicals and Eden DYN might not be an appropriate replacement in presence of certain chemicals.