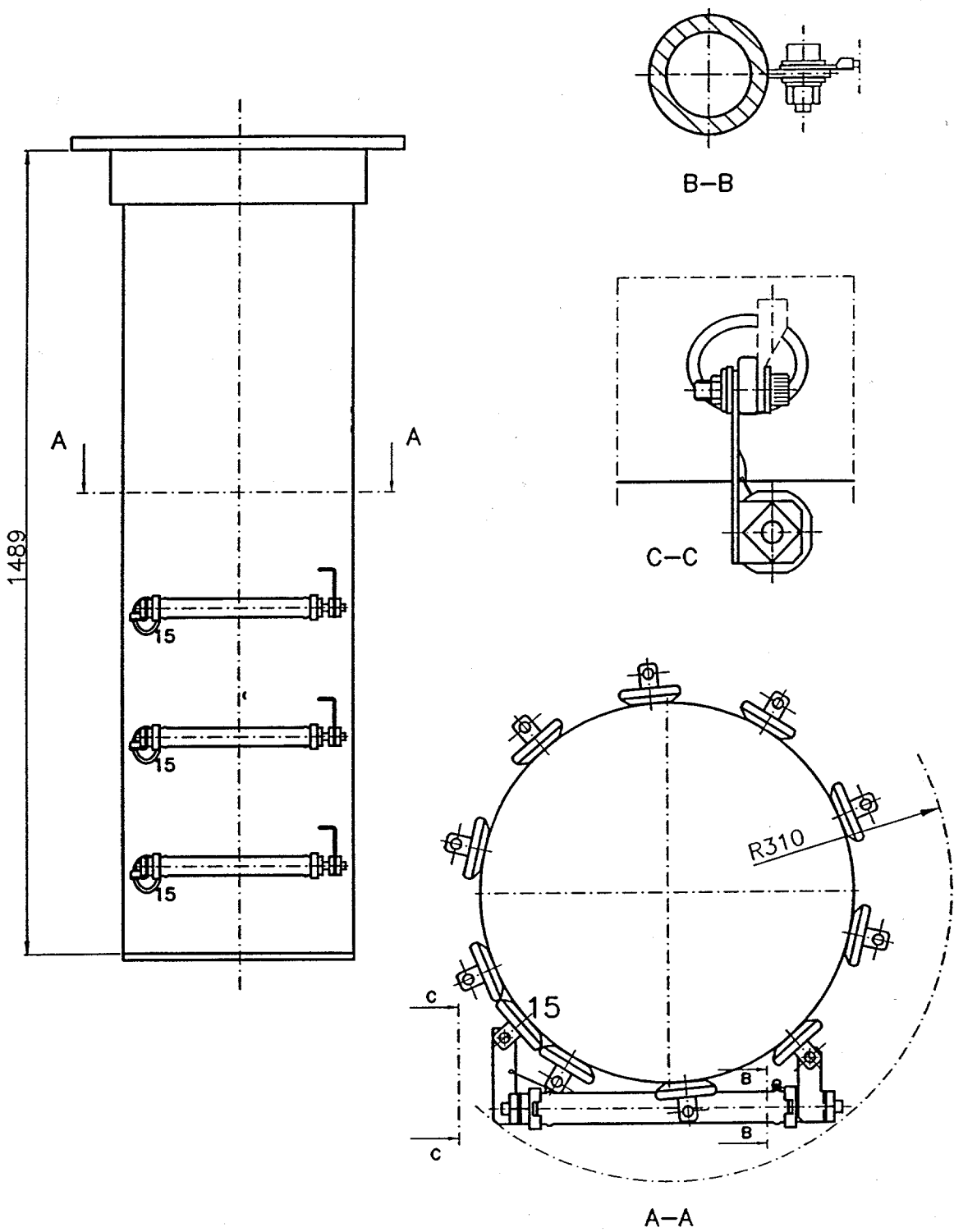


We reserve all rights in this document and in the information contained therein. Reproduction, use or disclosure to third parties without express authority is strictly forbidden.
 © ABB 19



Sheet
 Year Week Cont
 Dept
 Rev Ind
 Design checked by
 Drawn by
 Issued by Dept Year Week
 ABB
 Asea Brown Boveri

1	7-13 pos var/was 7,9	NA	99	26
Rev Ind	Revision	Appd	Year	Week

Accepted by qual control	Accepted for prod by	Description (English) TIE-IN RESISTOR FOR UBB.T 7-13 pos.	DATA ORIGINAL
Design checked by M.Eriksson	Drawn by T.Sapila	Description (own language) DÄMPMOTSTÅND FÖR UBB.T 7-13 pos.	File name 0050-34
Drawing checked by K.Strand	Issued by Dept Year Week COM/TK 96 27	Lang Sheet 82 1	
 Asea Brown Boveri		Revind Cont - -	

5492 0050-34