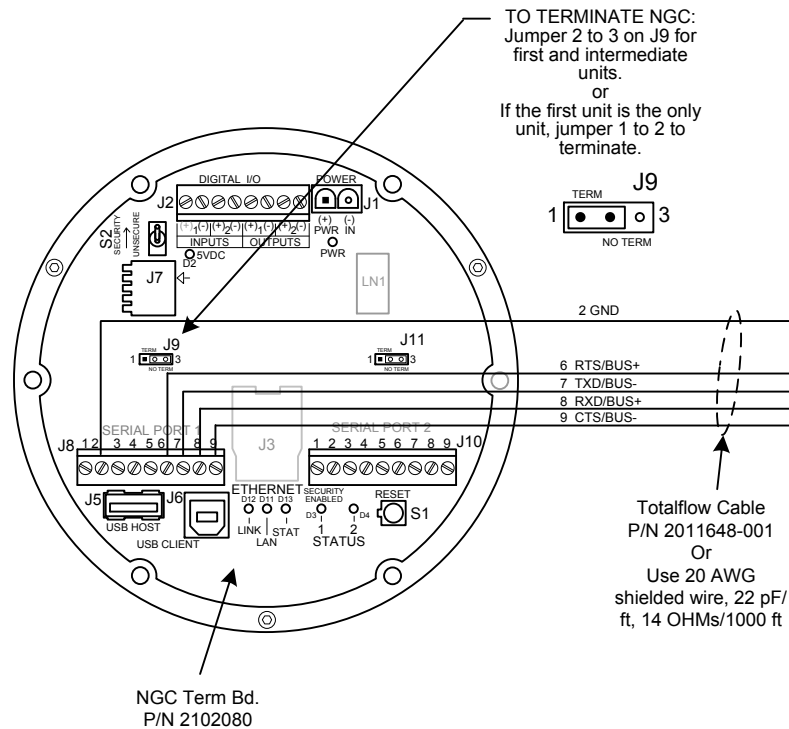
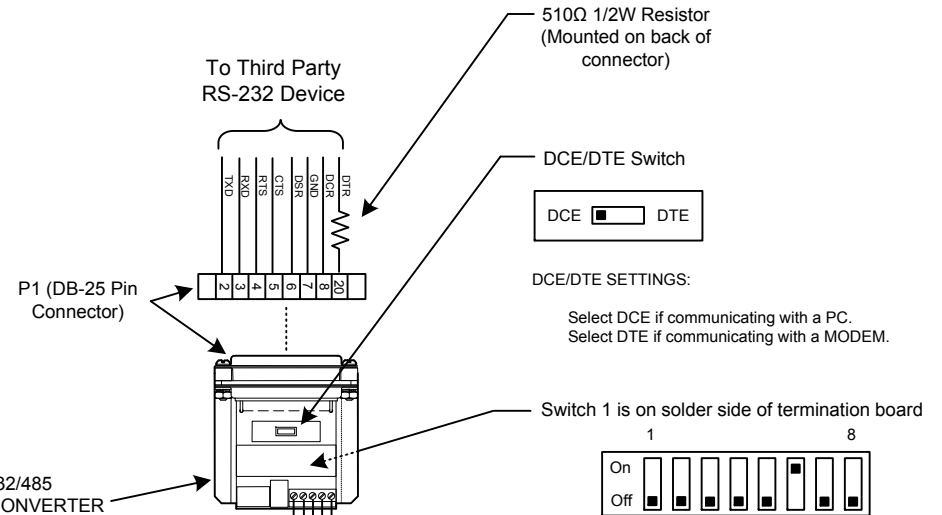
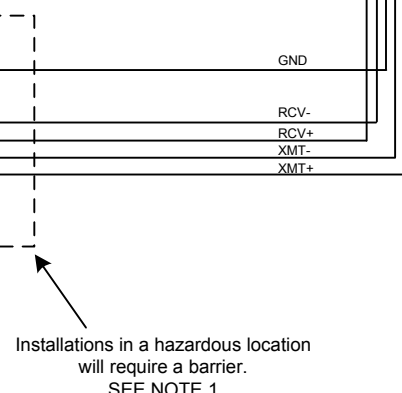


NOTES:

1. **WARNING:** This drawing does not illustrate completely the installation methods required for hazardous locations. Prior to any installation in a Classified Hazardous Location, verify installation methods by the Control Drawing referenced on the product's name tag and national and local codes.
2. Up to 32 devices may be connected on the RS-485 buss, for up to a total combined distance of 4000 feet.
3. Units must be daisy-chained; No Star Configurations.



RS232/485
PATTON CONVERTER
#2085F
P/N 2015445-002



- SWITCH 1 SETTINGS:**
- 1 & 2: Sets whether the receiving device sees the impedance of the converters transmitter as being "High" or "Intermediate" when the Transmitter is turned Off.
1 & 2 ON = Intermediate impedance.
1 & 2 OFF = High Impedance.
 - 3: Determines the delay between the time the converter see "RTS" and sends "CTS".
3 ON = 8 msec.
3 OFF = No delay
 - 4: Determines whether the converter echoes data back to the transmitting device.
4 ON = Echo ON (Half-duplex only)
4 OFF = Echo OFF
 - 5: Determines whether the Carrier is always ON, or controlled by "RTS".
5 ON = Controlled by "RTS"
5 OFF = Constantly ON
 - 6: Selects the impedance of the Input Receiver.
6 ON = Low (120 Ohm)
6 OFF = High (16 kOhm)
 - 7 & 8: Determines whether the converter is 2-wire (2-wire is half-duplex) or 4-wire.
7 & 8 ON = 2-wire mode.
7 & 8 OFF = 4-wire mode.

REF: N/A

ABB TOTALFLOW Products	ACTION	DOC TYPE	TITLE	DWG NO.	REV	SHEET
	L21016	UD	NGC PORT1 RS-422 TO RS-232 USING PATTON CONVERTER MODEL 2085F	2103674	AA	1 OF 1