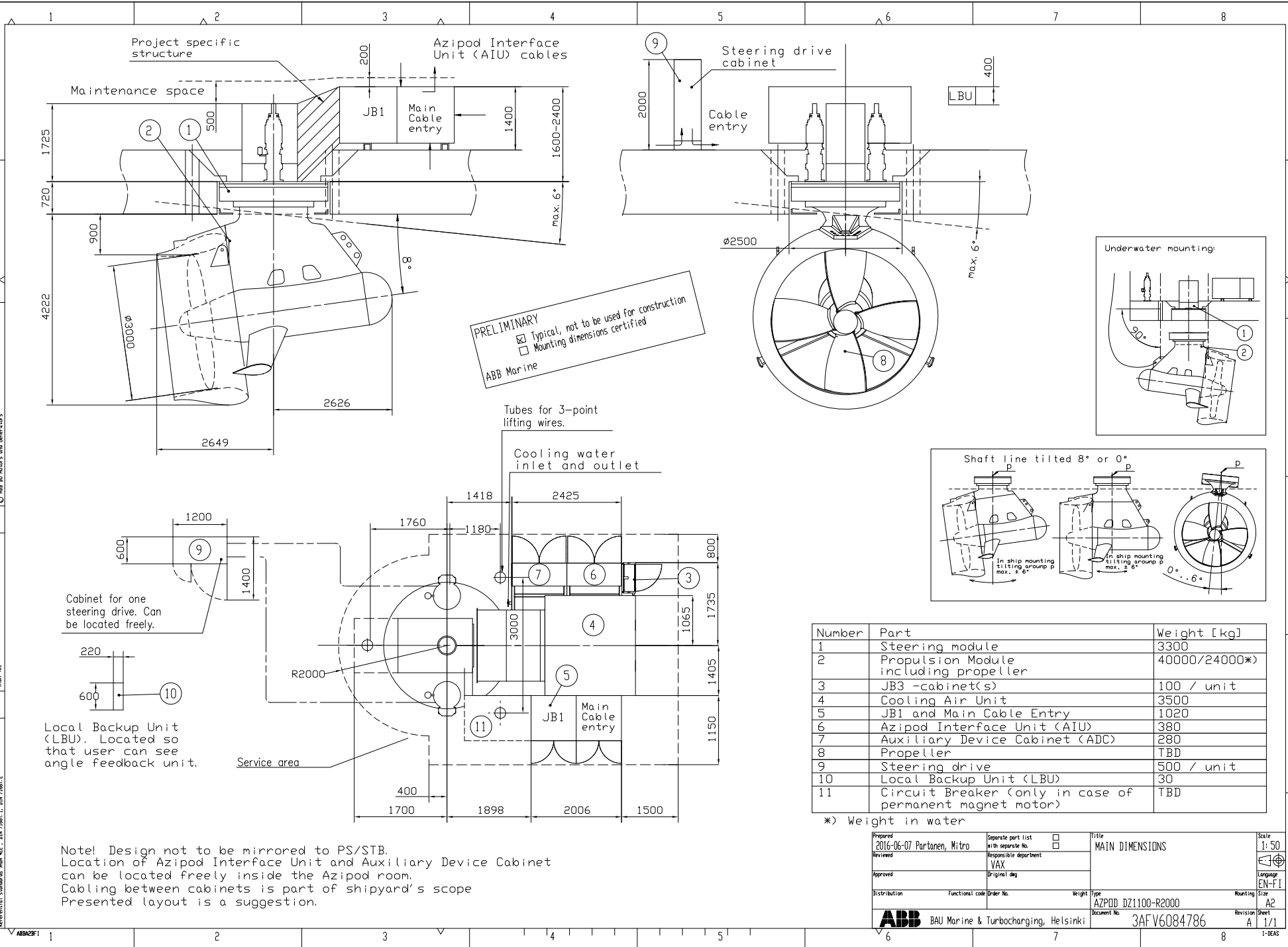


We reserve all rights in this document and in the information it contains. No part of this document may be reproduced, stored in a retrieval system or transmitted in any form or by any means, electronic, mechanical, photocopying, recording, or by any information storage and retrieval system, without the prior written permission of ABB Power and Automation.

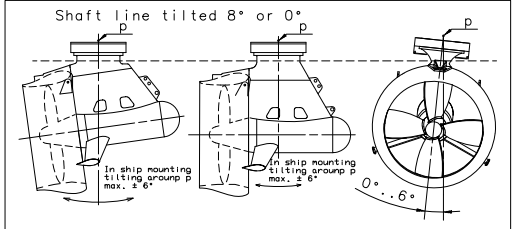
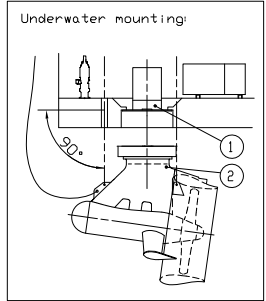
Symbols for roughness according to ISO 1302 - RMA 421

General tolerance for linear and angular dimensions and general tolerances for surface texture according to ISO 1302 - RMA 421 - DIN 75181-1, DIN 75181-2

ABB 421



PRELIMINARY
 Typical, not to be used for construction
 Mounting dimensions certified
 ABB Marine



Number	Part	Weight [kg]
1	Steering module	3300
2	Propulsion Module including propeller	40000/24000*)
3	JB3 -cabinet(s)	100 / unit
4	Cooling Air Unit	3500
5	JB1 and Main Cable Entry	1020
6	Azipod Interface Unit (AIU)	380
7	Auxiliary Device Cabinet (ADC)	280
8	Propeller	TBD
9	Steering drive	500 / unit
10	Local Backup Unit (LBU)	30
11	Circuit Breaker (only in case of permanent magnet motor)	TBD

*) Weight in water

Note! Design not to be mirrored to PS/STB.
 Location of Azipod Interface Unit and Auxiliary Device Cabinet can be located freely inside the Azipod room.
 Cabling between cabinets is part of shipyard's scope
 Presented layout is a suggestion.

Prepared 2016-06-07 Partanen, Mitro	Separate part list with separate No. <input type="checkbox"/>	Title MAIN DIMENSIONS	Scale 1:50
Reviewed VAX	Responsible department VAX		Language EN-FI
Approved	Original dep.		Revision A
Distribution	Functional code	Order No.	Weight
			Type
			Size
		AZPOD DZ1100-R2000 Document No. 3AFV6084786	Mounting A2 Revision 1/1 I-DECS