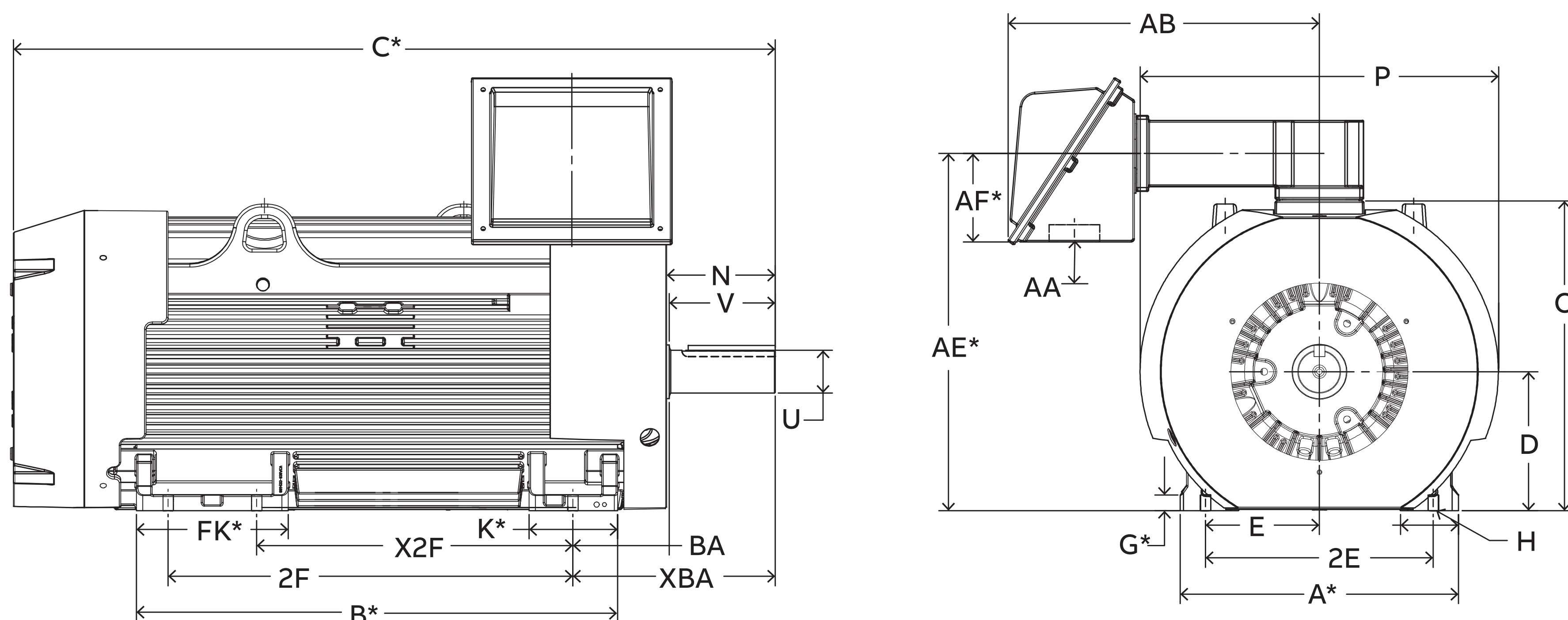


Large AC quick reference chart



Drawings represent standard large AC TEFC motors.

*Dimensions are for reference only.

*Contact your local sales office for "C" dimensions.
Dimensions - N, O, P and AB are specific to legacy Baldor-Reliance® motors.

Frame	D	E	Dual foot mount holes		H	N	O	P	U	V	AA	AB	BA	XBA
			2F	X2F										
L449TS					13/16	4.84	24.49	28.32	2 3/8	4 3/4	4.60	26.86	7 1/2	-
L449T	11	9	32	25	13/16	8.56	24.49	28.32	3 3/8	8 3/8	4.60	26.86	7 1/2	-
5008S					15/16	6.44			2 3/8	6				15 1/2
5008L	12 1/2	10	25	22	15/16	10.44	27.25	32.46	4 1/8	10	-	30.28	-	19 1/2
5008L					15/16	10.44			4 1/2	10				19 1/2
5010S					15/16	6.44			2 3/8	6				15 1/2
5010L	12 1/2	10	32	28	15/16	10.44	27.25	32.46	4 1/8	10	-	30.28	-	19 1/2
5010L					15/16	10.44			4 1/2	10				19 1/2
5012L	12 1/2	10	40	36	15/16	10.44	27.25	32.46	4 1/8	10	-	30.28	-	19 1/2
5012L					15/16	10.44			4 1/2	10				19 1/2
5810S					1 7/8	7.84			2 3/8	6 1/2				17
5810L	14 1/2	11 1/2	36	32	1 7/8	14.53	32.31	36.86	4 1/8	13	-	32.05	-	23 11/16
5810L					1 7/8	14.53			4 1/2	13				23 11/16

The above chart provides typical legacy Baldor-Reliance motor dimensions.

For more exact dimensional data, please check the specific drawing for each catalog number.

AA dimension shown in chart are legacy Baldor-Reliance typical values.

Customer to drill hole in terminal box for frames larger than 449.

Dimensions are in inches.

If mounting clearance details are required, consult factory.