

CAUTION:

HIGH CENTER OF GRAVITY - USE CAUTION WHEN MOVING CABINET

ONLY PERSONNEL TRAINED TO MOVE HEAVY EQUIPMENT SHOULD HANDLE THESE BATTERY SYSTEMS.

USE A FORKLIFT OR SIMILAR DEVICE WITH APPROPRIATE LIFTING CAPACITY TO LIFT THE CABINET.

NOTE THE CENTER OF GRAVITY MEASUREMENT

MOVE SLOWLY WHEN HANDLING. AVOID BOUNCING THE CABINET WHILE MOVING. THE CABINET COULD FALL FORWARD OR SIDeways IF HANDLED ROUGHLY.

CABINET SYSTEMS ARE HEAVY AND COULD WEIGH AS MUCH AS 9,000 LBS PER CABINET OR MORE.

STEPS FOR BATTERY CABINET INSTALLATION PROCEDURE

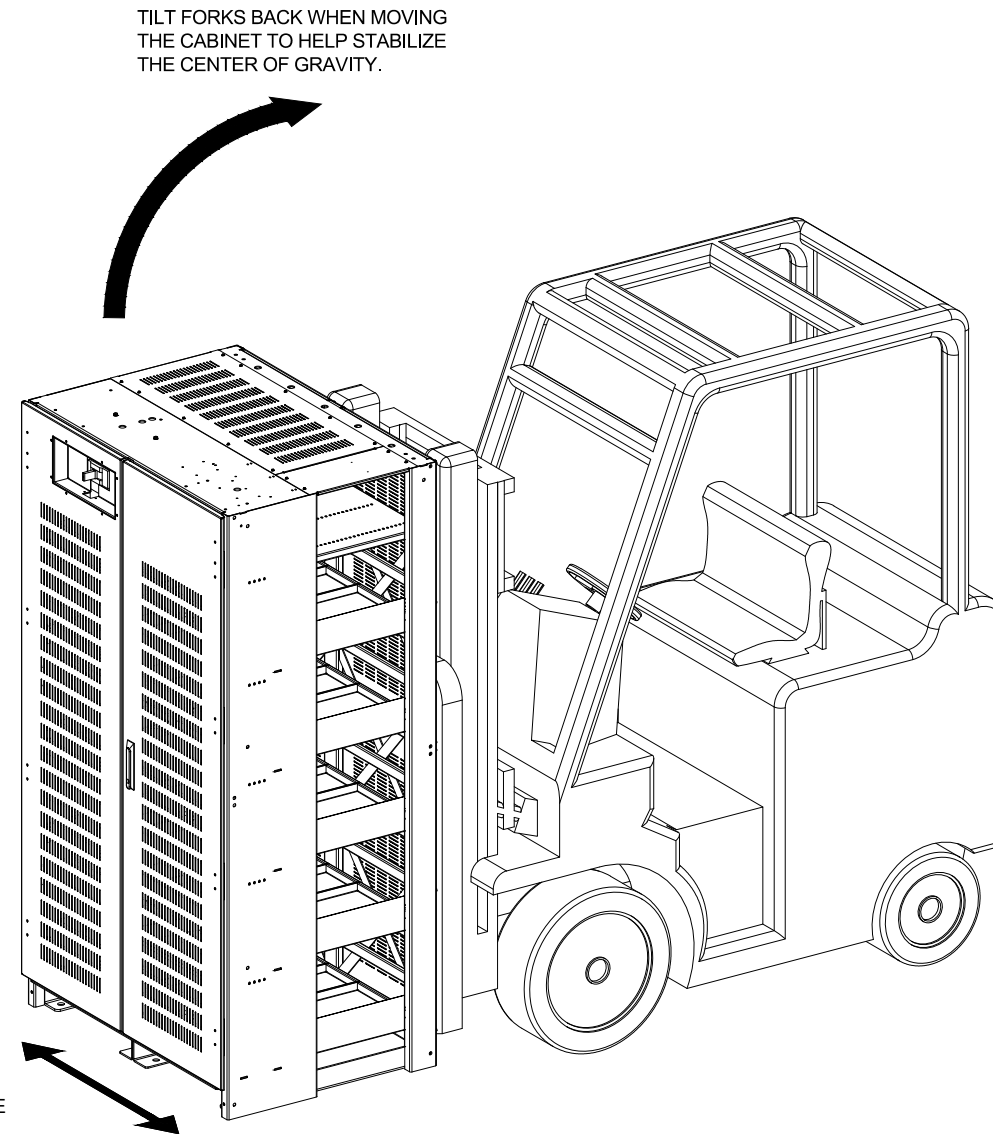
1. TO HELP PREVENT DAMAGE, ALL PANELS FROM ALL BATTERY CABINETS SHOULD BE LABELED TO THEIR PROSPECTIVE CABINET, REMOVED AND PUT ASIDE IN A SAFE LOCATION WHILE MOVING THE CABINETS TO FINAL INSTALL POSITION.
2. INSTALL AND ALIGN THE FIRST CABINET, THEN EACH CABINET ADJACENT TO EACH OTHER. THE BATTERY CABINETS CAN BE BOLTED TOGETHER. REFER TO PAGE 3 FOR PROPER LINE UP.
3. ROUTE THE POWER CABLES AS SHOWN ON SHEET 4.
4. INSTALL SIDE PANEL ONTO THE OPEN SIDES OF THE BATTERY CABINET. INSTALL THE DOORS AND LOCK WHEN NOT OPEN FOR MAINTENANCE.
5. THE CABINET MUST BE ANCHORED TO THE FLOOR FOR SEISMIC SENSITIVE AREAS. AND TO MAINTAIN THE SEISMIC INTEGRITY OF THE BATTERY CABINET. ANCHORING HARDWARE IS NOT INCLUDED. CONTACT INTRAPACK TO PURCHASE ANCHORING HARDWARE

CAUTION: HIGH VOLTAGE, RISK OF ELECTRICAL SHOCK

- FOLLOW ALL SAFETY PRECAUTIONS WHEN WORKING ON THIS SYSTEM
- ALWAYS WEAR PROPER SAFETY EQUIPMENT INCLUDING EYE PROTECTION

> IMPORTANT <

* REVIEW THE DRAWINGS AND READ ALL INFORMATION BEFORE PROCEEDING WITH MOVING AND INSTALLING THESE BATTERY CABINETS



NOTE:
FROM FLOOR TO CABINET
LIFTING POINT IS 3.691"

SPREAD FORKS AS WIDE AS POSSIBLE
WHEN LIFTING CABINETS.

MOVING A BATTERY CABINET

DO NOT LIFT THE CABINET HIGHER THAN NECESSARY TO CLEAR THE FLOOR WHEN MOVING

ABB MEGAFLEX UPS BATTERY SKU
MGG1100-5-58-ALT

THE INFORMATION CONTAINED IN THIS DRAWING IS THE SOLE PROPERTY OF INTRAPACK INDUSTRIES INC. ANY REPRODUCTION IN PART OR WHOLE WITHOUT THE WRITTEN PERMISSION OF INTRAPACK INDUSTRIES INC. IS PROHIBITED.

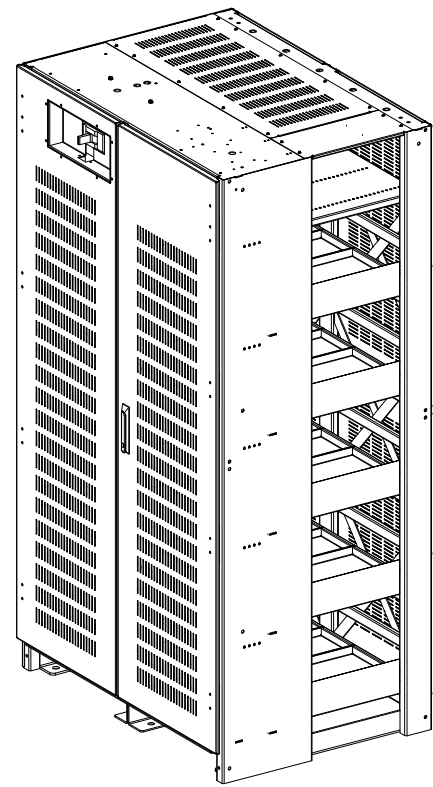
NO.	DATE	REVISION DESCRIPTION	SYSTEM WEIGHT: 42,000 lbs				ADJACENT REMOTE FRONT TERMINAL CENTER JUNCTION BATTERY CABINET SYSTEM	DRAWING NO. IP8F16-150H925-480-5-5D600-AR-JC	1 OF 6
			JOB NO.	N/A	DATE:	01/29/2021			
			QUOTE NO.	IPC20-1018	DRAWN BY:	VZ			
			SCALE:	N.T.S.	APPR. BY:				

IntraPack
WWW.INTRAPACK.COM

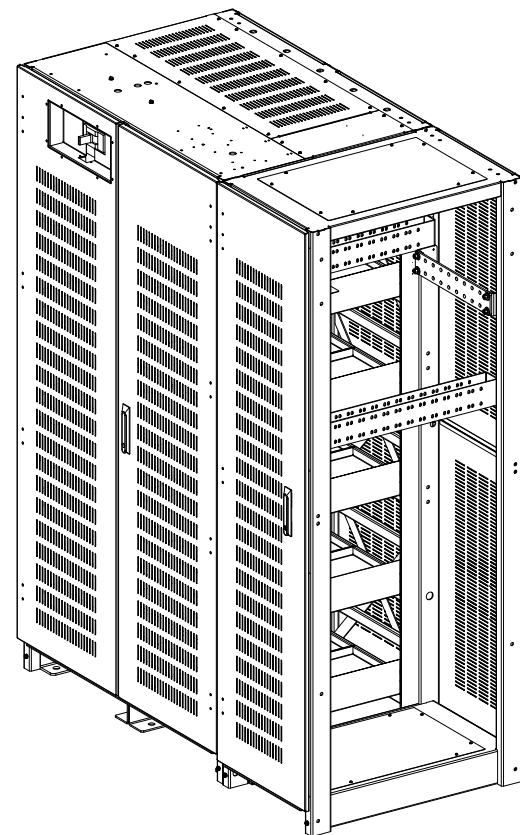
10650 MARKISON ROAD
DALLAS, TX. 75238
PHONE: 214-348-7105
EMAIL: SALES@INTRAPACK.COM
© INTRAPACK 2021

CAUTION: HIGH VOLTAGE, RISK OF ELECTRICAL SHOCK

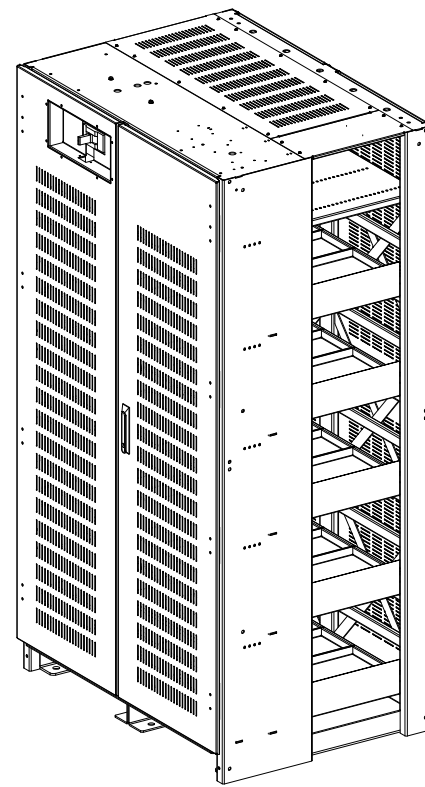
- FOLLOW ALL SAFETY PRECAUTIONS WHEN WORKING ON THIS SYSTEM
- ALWAYS WEAR PROPER SAFETY EQUIPMENT INCLUDING EYE PROTECTION



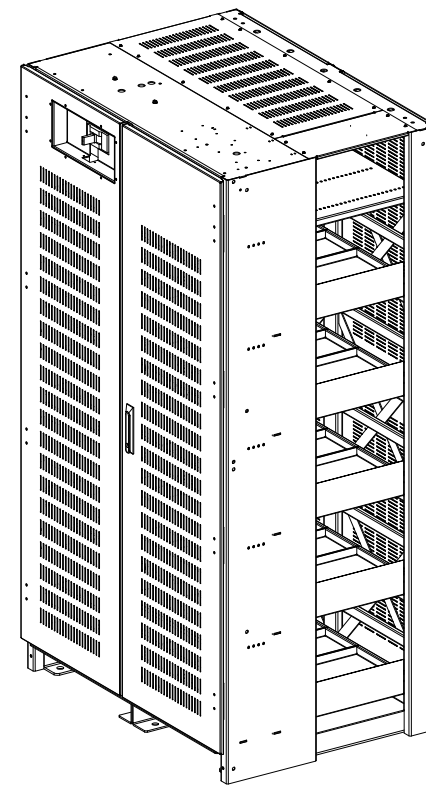
CABINET A



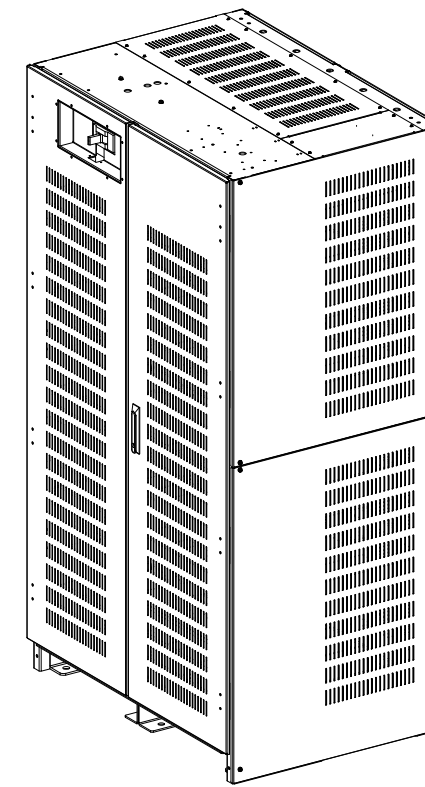
CABINET B & JC



CABINET C



CABINET D



CABINET E

ISOMETRIC BATTERY CABINET VIEW

ABB MEGAFLEX UPS BATTERY SKU
MGG1100-5-58-ALT

THE INFORMATION CONTAINED IN THIS DRAWING IS THE SOLE PROPERTY OF INTRAPACK INDUSTRIES INC. ANY REPRODUCTION IN PART OR WHOLE WITHOUT THE WRITTEN PERMISSION OF INTRAPACK INDUSTRIES INC. IS PROHIBITED.

NO.	DATE	REVISION DESCRIPTION

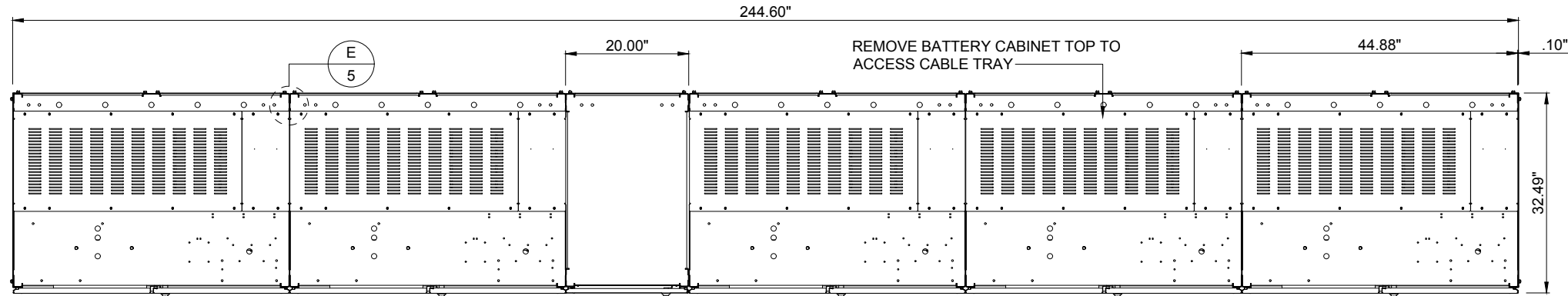
IntraPack®
10650 MARKISON ROAD
DALLAS, TX. 75238
PHONE: 214-348-7105
EMAIL: SALES@INTRAPACK.COM
WWW.INTRAPACK.COM
© INTRAPACK 2021

SYSTEM WEIGHT: 42,000 lbs			
JOB NO.	N/A	DATE:	01/29/2021
QUOTE NO.	IPC20-1018	DRAWN BY:	VZ
SCALE:	N.T.S.	APPR. BY:	

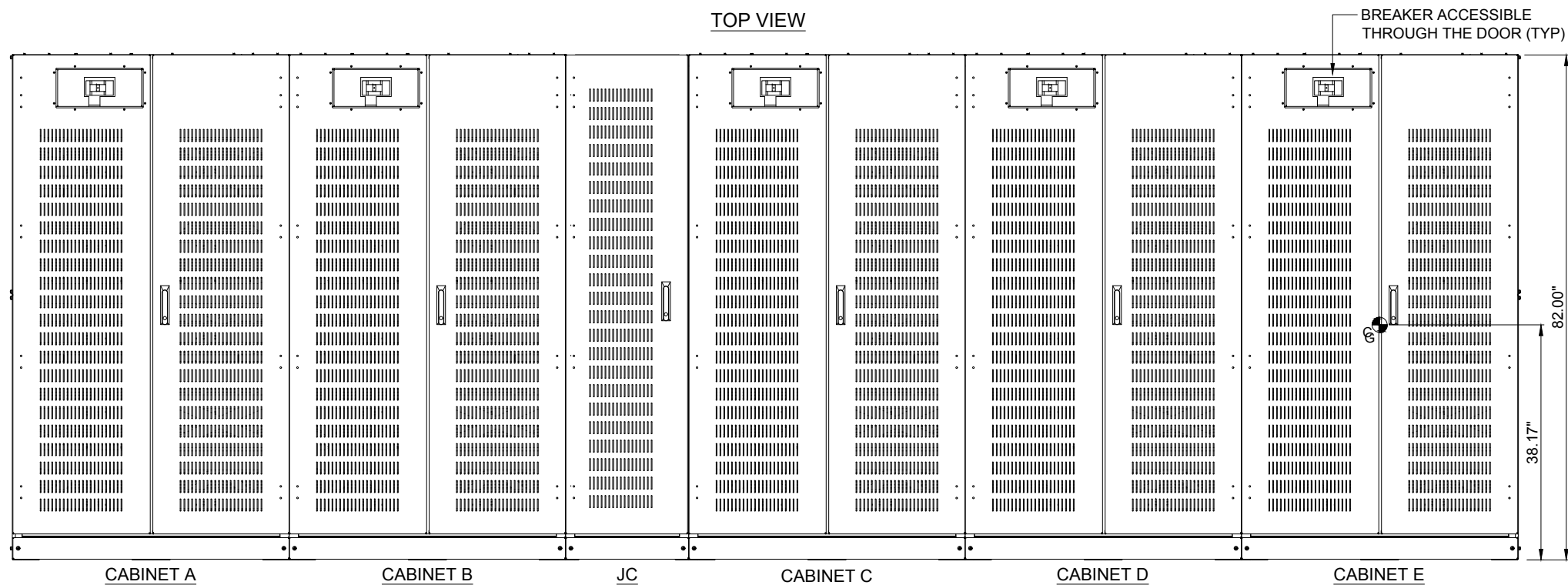
ADJACENT REMOTE FRONT TERMINAL CENTER JUNCTION
BATTERY CABINET SYSTEM
DRAWING NO.
IP8F16-150H925-480-5-5D600-AR-JC

CAUTION: HIGH VOLTAGE, RISK OF ELECTRICAL SHOCK

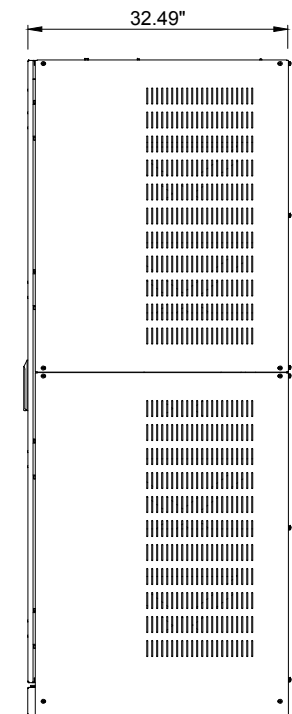
- FOLLOW ALL SAFETY PRECAUTIONS WHEN WORKING ON THIS SYSTEM
- ALWAYS WEAR PROPER SAFETY EQUIPMENT INCLUDING EYE PROTECTION



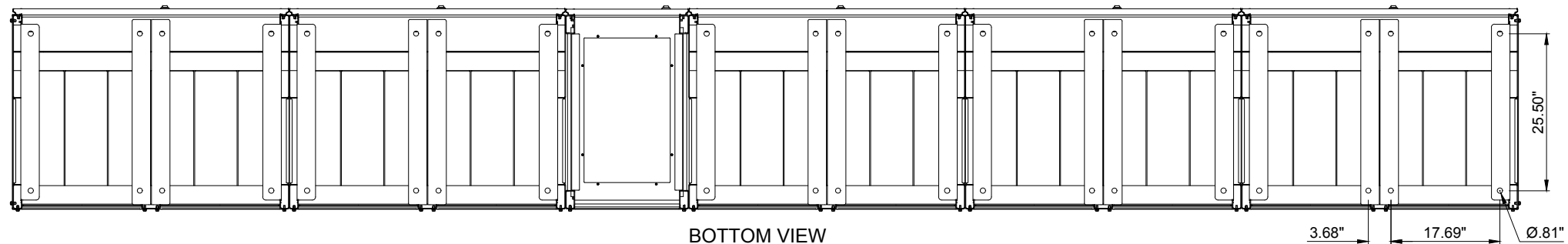
TOP VIEW



FRONT VIEW



SIDE VIEW



BOTTOM VIEW

ABB MEGAFLEX UPS BATTERY SKU
MGG1100-5-58-ALT

THE INFORMATION CONTAINED IN THIS DRAWING IS THE SOLE PROPERTY OF INTRAPACK INDUSTRIES INC. ANY REPRODUCTION IN PART OR WHOLE WITHOUT THE WRITTEN PERMISSION OF INTRAPACK INDUSTRIES INC. IS PROHIBITED.

NO.	DATE	REVISION DESCRIPTION

IntraPack[®]
10650 MARKISON ROAD
DALLAS, TX. 75238
PHONE: 214-348-7105
EMAIL: SALES@INTRAPACK.COM
WWW.INTRAPACK.COM
© INTRAPACK 2021

SYSTEM WEIGHT: 42,000 lbs			
JOB NO.	N/A	DATE:	01/29/2021
QUOTE NO.	IPC20-1018	DRAWN BY:	VZ
SCALE:	N.T.S.	APPR. BY:	

ADJACENT REMOTE FRONT TERMINAL CENTER JUNCTION
BATTERY CABINET SYSTEM

DRAWING NO.
IP8F16-150H925-480-5-5D600-AR-JC

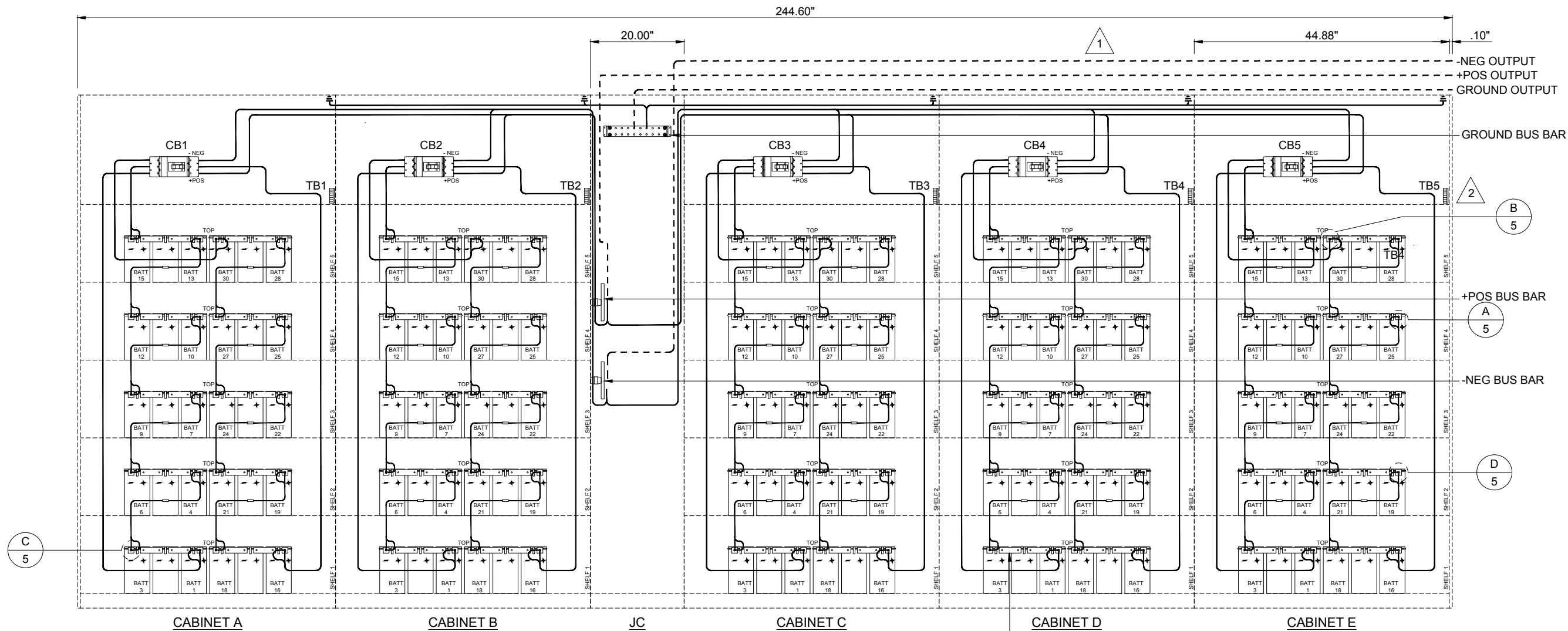
- 1 DC POWER CABLES FROM JC TO THE UPS PROVIDED BY OTHERS. REFER TO NEC FOR PROPER AWG SIZE
- 2 TERMINAL BLOCK TO TERMINAL BLOCK AND TERMINAL BLOCK TO UPS CONTROL WIRING WILL BE 16-20 GA STRANDED, PROVIDED BY OTHERS

POSITIONING OF COMPONENTS ARE FOR ILLUSTRATION PURPOSES AND MAY NOT BE REPRESENTED IN THE EXACT LOCATION INDICATED.

CAUTION: HIGH VOLTAGE, RISK OF ELECTRICAL SHOCK

- FOLLOW ALL SAFETY PRECAUTIONS WHEN WORKING ON THIS SYSTEM
- ALWAYS WEAR PROPER SAFETY EQUIPMENT INCLUDING EYE PROTECTION

- GENERAL NOTES:**
1. ONLY QUALIFIED TECHNICIANS SHOULD PERFORM INSTALLATION OR MAINTENANCE OF THIS BATTERY SYSTEM.
 2. ALL TOOLS SHOULD BE INSULATED TO PREVENT ELECTRICAL SHOCK.
 3. OPEN DISCONNECTS BEFORE INSTALLATION OR MAINTENANCE.
 4. CHECK DC VOLTAGE AT BATTERY OUTPUT AND UPS OUTPUT TO ENSURE PROPER POLARITY BEFORE MAKING FINAL CONNECTIONS.



ELECTRICAL ILLUSTRATION

- BRAIDED STRAP BUS BARS CAN BE SHIPPED CONNECTED OR DISCONNECTED
- SOLID COPPER BUS BARS ARE SHIPPED DISCONNECTED ONLY

ABB MEGAFLEX UPS BATTERY SKU
MGG1100-5-58-ALT

THE INFORMATION CONTAINED IN THIS DRAWING IS THE SOLE PROPERTY OF INTRAPACK INDUSTRIES INC. ANY REPRODUCTION IN PART OR WHOLE WITHOUT THE WRITTEN PERMISSION OF INTRAPACK INDUSTRIES INC. IS PROHIBITED.

NO.	DATE	REVISION DESCRIPTION

IntraPack® 10650 MARKISON ROAD
DALLAS, TX. 75238
PHONE: 214-348-7105
EMAIL: SALES@INTRAPACK.COM
WWW.INTRAPACK.COM
© INTRAPACK 2021

SYSTEM WEIGHT: 42,000 lbs			
JOB NO.	N/A	DATE:	01/29/2021
QUOTE NO.	IPC20-1018	DRAWN BY:	VZ
SCALE:	N.T.S.	APPR. BY:	

ADJACENT REMOTE FRONT TERMINAL CENTER JUNCTION BATTERY CABINET SYSTEM
DRAWING NO. IP8F16-150H925-480-5-5D600-AR-JC

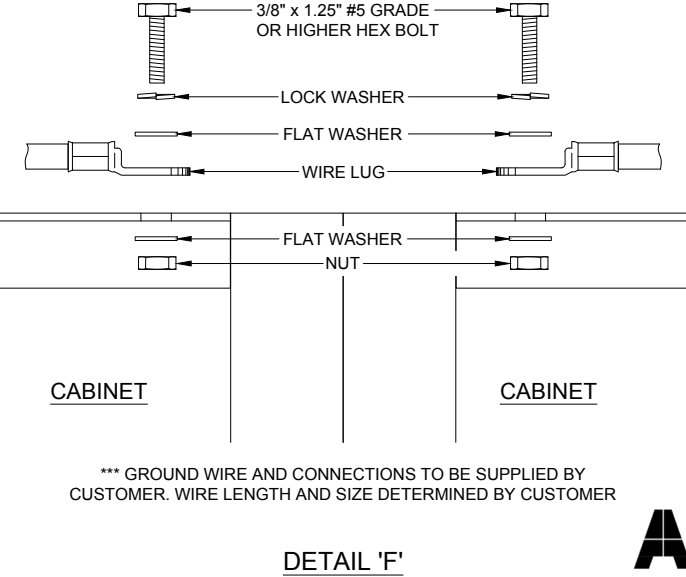
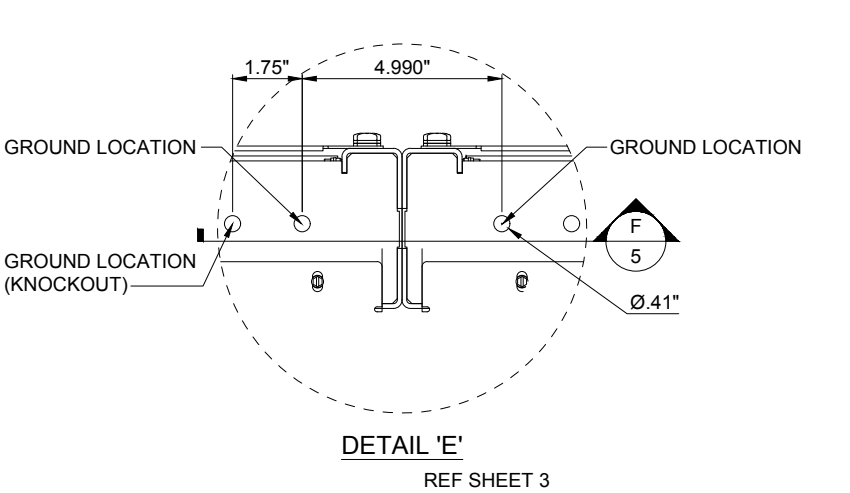
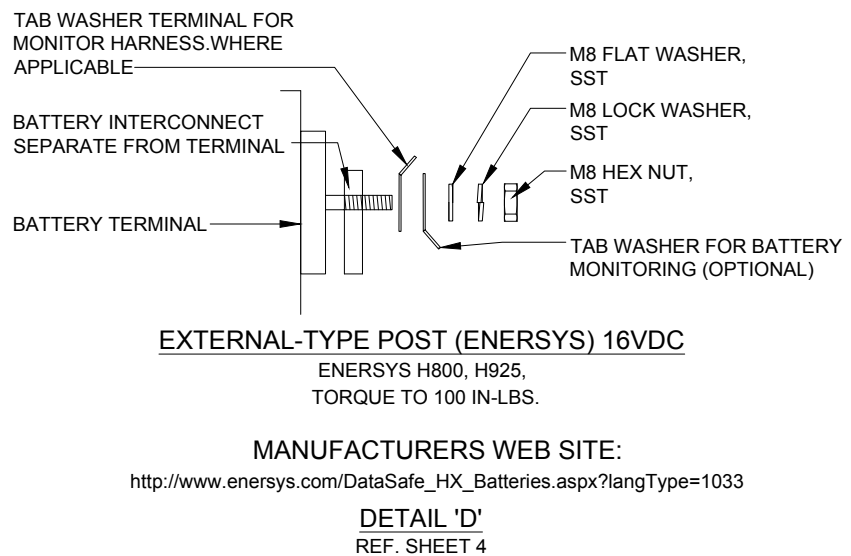
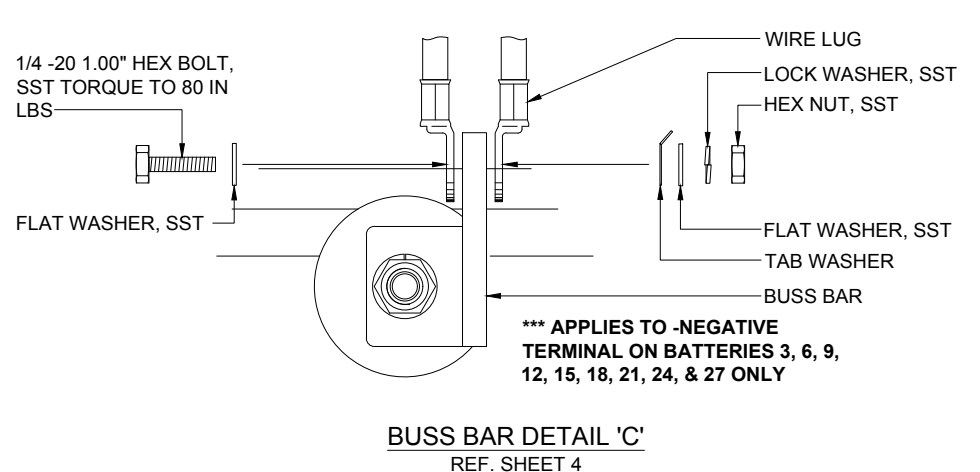
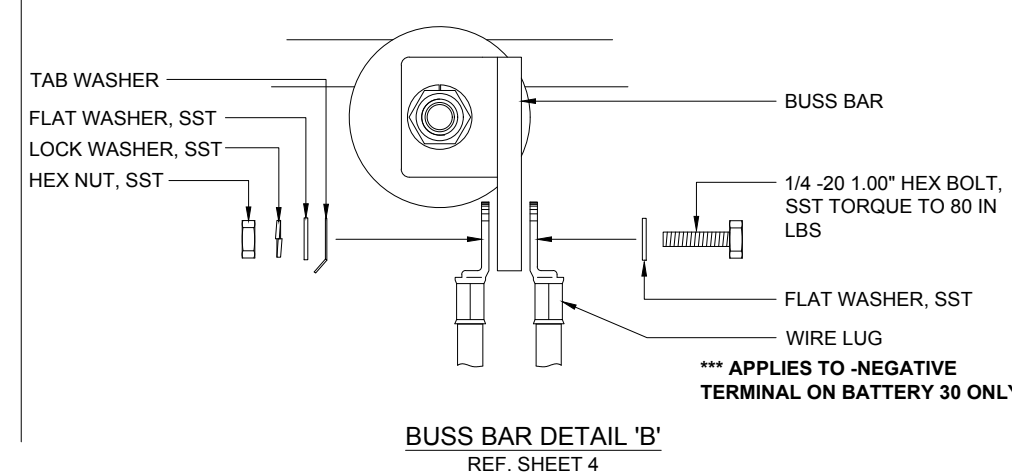
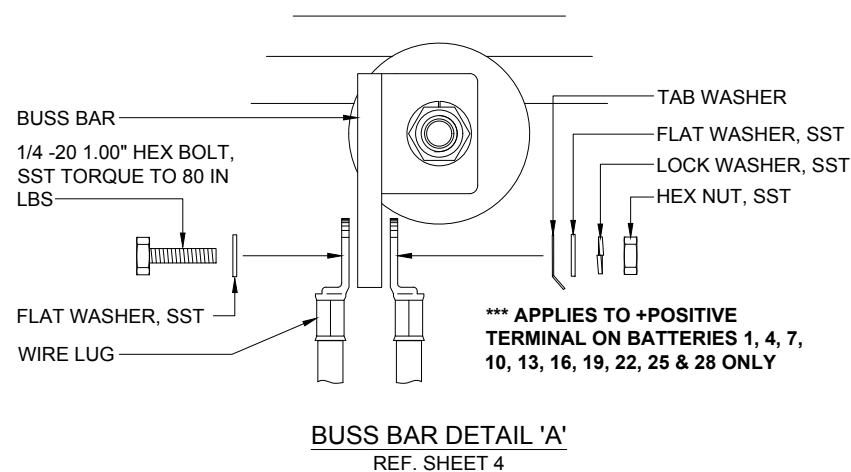
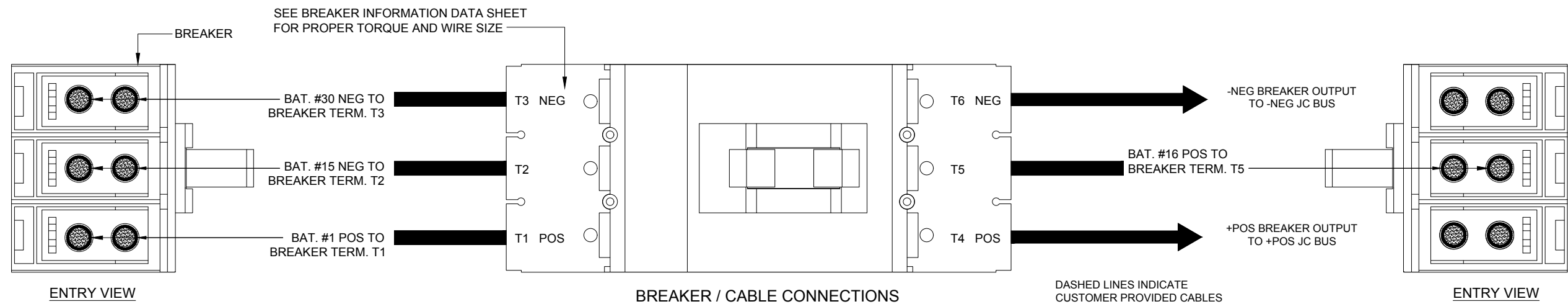


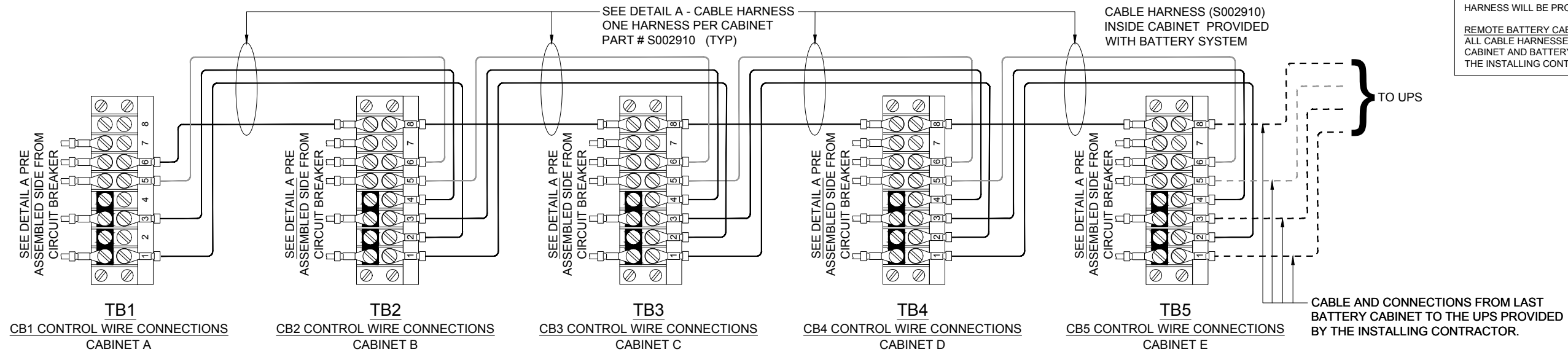
ABB MEGAFLEX UPS BATTERY SKU
MGG1100-5-58-ALT

THE INFORMATION CONTAINED IN THIS DRAWING IS THE SOLE PROPERTY OF INTRAPACK INDUSTRIES INC. ANY REPRODUCTION IN PART OR WHOLE WITHOUT THE WRITTEN PERMISSION OF INTRAPACK INDUSTRIES INC. IS PROHIBITED.

NO.	DATE	REVISION DESCRIPTION

<p>10650 MARKISON ROAD DALLAS, TX. 75238 PHONE: 214-348-7105 EMAIL: SALES@INTRAPACK.COM © INTRAPACK 2021</p>	SYSTEM WEIGHT: 42,000 lbs			ADJACENT REMOTE FRONT TERMINAL CENTER JUNCTION BATTERY CABINET SYSTEM DRAWING NO. IP8F16-150H925-480-5-5D600-AR-JC	5 OF 6	
	JOB NO.	N/A	DATE:			01/29/2021
	QUOTE NO.	IPC20-1018	DRAWN BY:			VZ
	SCALE:	N.T.S.	APPR. BY:			

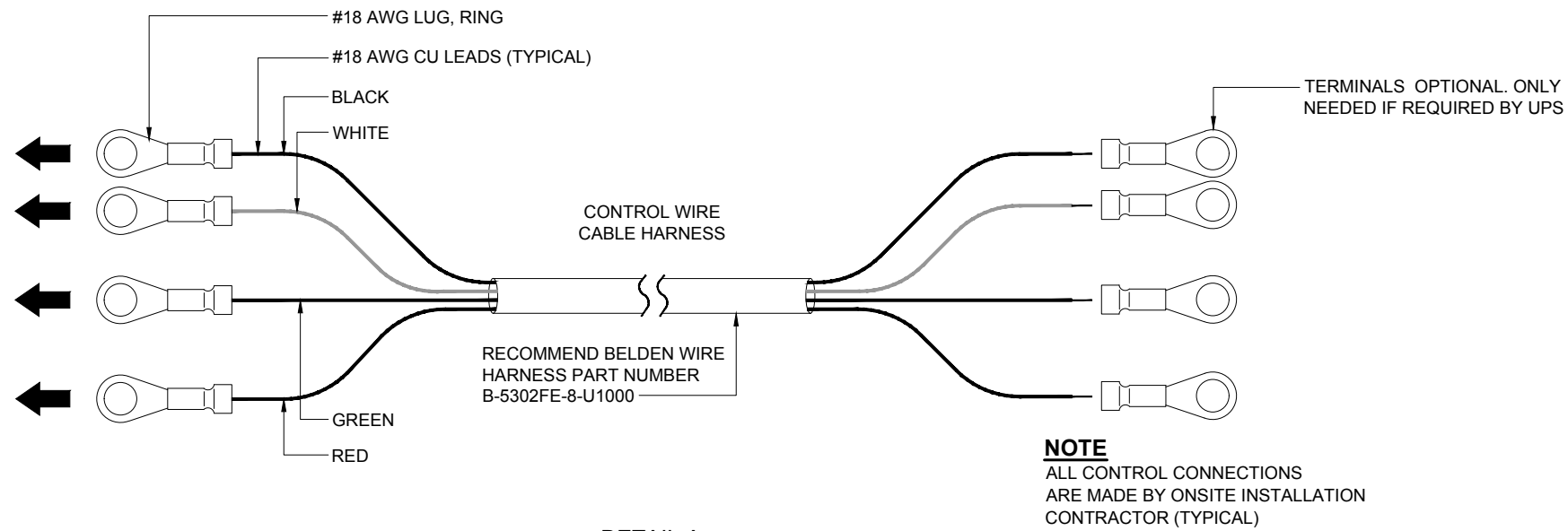
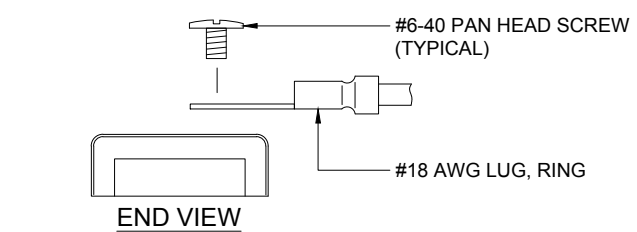
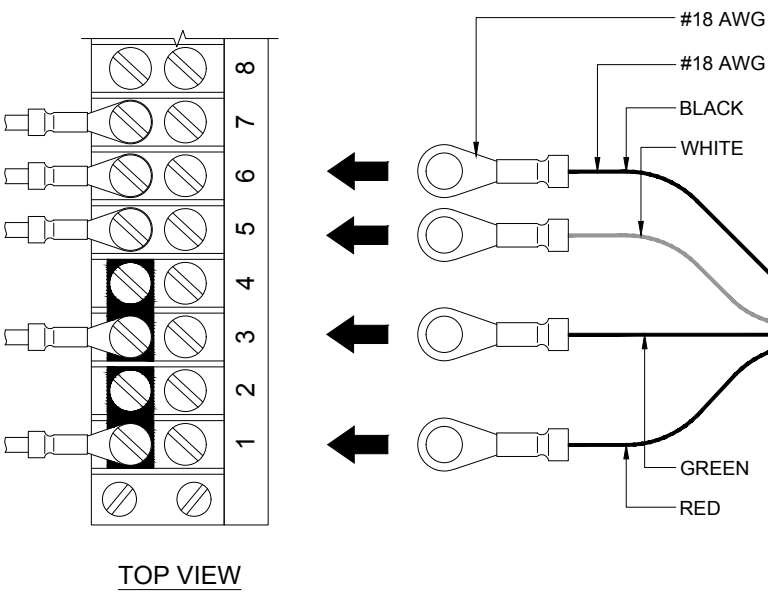
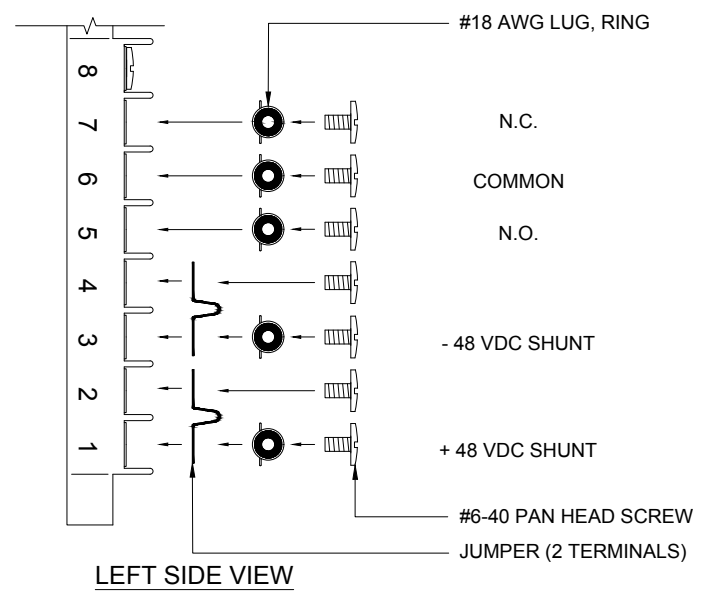
CONTROL WIRING ROUTING



ADJACENT BATTERY CABINET SYSTEM:
ALL CABLE HARNESSES ARE PROVIDED IN BOTH THE BATTERY CABINET TO BATTERY CABINET CONNECTION INCLUDING THE BATTERY CABINET CABLE HARNESS TO THE UPS.

ADJACENT REMOTE BATTERY CABINET SYSTEM:
ALL CABLE HARNESSES FROM BATTERY CABINET TO BATTERY CABINET WILL BE PROVIDED. THE BATTERY CABINET TO UPS CABLE HARNESS WILL BE PROVIDED BY THE INSTALLING CONTRACTOR.

REMOTE BATTERY CABINET SYSTEM:
ALL CABLE HARNESSES FROM BATTERY CABINET TO BATTERY CABINET AND BATTERY CABINET TO UPS WILL BE PROVIDED BY THE INSTALLING CONTRACTOR.



DETAIL A
CONTROL WIRING DETAIL
48 VDC SHUNT TRIP
AND 2A/2B AUXILIARY CONTACTS

NOTE
ALL CONTROL CONNECTIONS ARE MADE BY ONSITE INSTALLATION CONTRACTOR (TYPICAL)

ABB MEGAFLEX UPS BATTERY SKU
MGG1100-5-58-ALT

THE INFORMATION CONTAINED IN THIS DRAWING IS THE SOLE PROPERTY OF INTRAPACK INDUSTRIES INC. ANY REPRODUCTION IN PART OR WHOLE WITHOUT THE WRITTEN PERMISSION OF INTRAPACK INDUSTRIES INC. IS PROHIBITED.

NO.	DATE	REVISION DESCRIPTION

IntraPack® 10650 MARKISON ROAD
DALLAS, TX. 75238
PHONE: 214-348-7105
EMAIL: SALES@INTRAPACK.COM
WWW.INTRAPACK.COM © INTRAPACK 2021

SYSTEM WEIGHT: 42,000 lbs			
JOB NO.	N/A	DATE:	01/29/2021
QUOTE NO.	IPC20-1018	DRAWN BY:	VZ
SCALE:	N.T.S.	APPR. BY:	

ADJACENT REMOTE FRONT TERMINAL CENTER JUNCTION
BATTERY CABINET SYSTEM

DRAWING NO.
IP8F16-150H925-480-5-5D600-AR-JC