
E 232 STAIRCASE LIGHTING TIME-DELAY SWITCHES

E 232-230

Installation manual

E 232-230
Installation Manual
Document ID: 9AKK108468A5389
Revision: A
2023-08-24

Disclaimer

The information in this document is subject to change without notice and should not be construed as a commitment by ABB STOTZ-KONTAKT GmbH. ABB STOTZ-KONTAKT GmbH assumes no responsibility for any errors that may appear in this document.

In no event shall ABB STOTZ-KONTAKT GmbH be liable for direct, indirect, special, incidental, or consequential damages of any nature or kind arising from the use of this document, nor shall ABB STOTZ-KONTAKT GmbH be liable for incidental or consequential damages arising from use of any software or hardware described in this document.

Copyrights

This document and parts thereof must not be reproduced or copied without written permission from ABB STOTZ-KONTAKT GmbH, and the contents thereof must not be imparted to a third party nor used for any unauthorized purpose. The software or hardware described in this document is furnished under a license and may be used, copied, or disclosed only in accordance with the terms of such license.

© Copyright 2023 ABB STOTZ-KONTAKT GmbH. All rights reserved.

Trademarks

ABB STOTZ-KONTAKT GmbH is a registered trademark of the ABB Group. All other brand or product names mentioned in this document may be trademarks or registered trademarks of their respective holders.

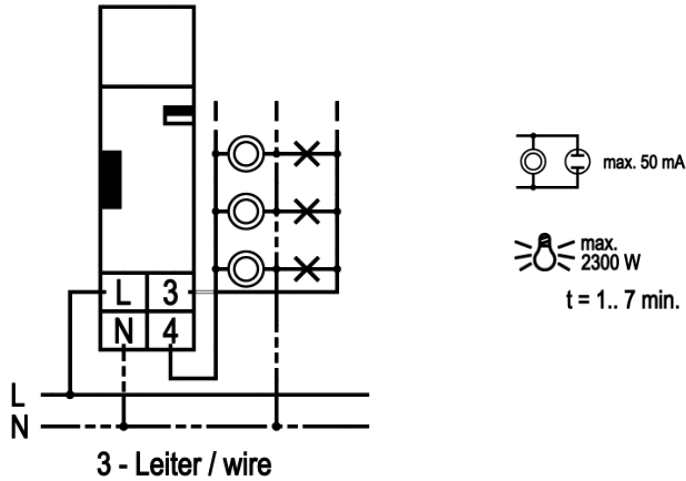
Contact

ABB STOTZ-KONTAKT GmbH
Eppelheimer Str. 82
69123 Heidelberg
Germany

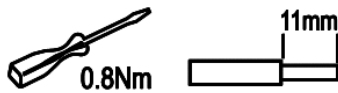


Warning! Installation by person with electrotechnical expertise only.

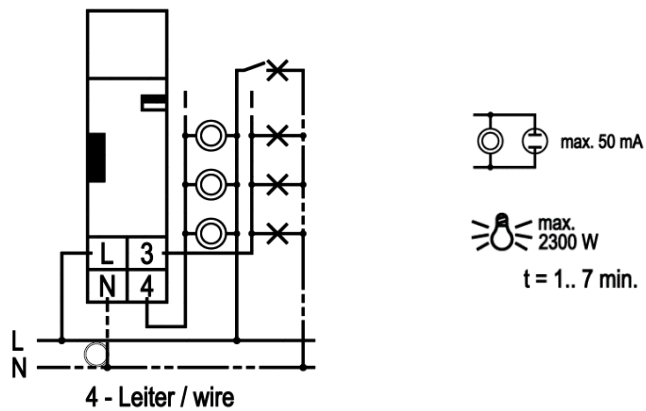
1. Connection diagram: 3 conductors



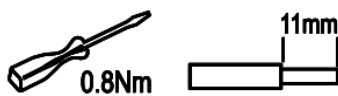
Tightening torque and stripping length



2. Connection diagram: 4 conductors



Tightening torque and stripping length



3. Technical data

E 232-230	
Time range (stepless)	1 – 7 min. in 15 sec. increments
Control voltage 230 V AC	■
Universal voltage in addition	
Glow lamp load	50 mA
3/4 conductor operated	switches
Resettable	■
Steady-light switch	■
Advance warning acc. DIN 18015-2	
Long-time range of 60 min.	
Multi-functional (10 functions)	
Maximum pulse duration	3 s
Rated voltage	230 V AC
Rated Frequency	50Hz
Control voltage range	0.9 ... 1.1 Un
Power loss	1 VA
Rated switching capacity	16 A, 230 V AC
Rated insulation voltage U_i	4 kV
Filament lamps	2,300 W
Halogen lamps	2,300 W
Fluorescent lamps series compensated / uncorrected	2,300 VA
Fluorescent lamps inductive or capacitive	2,300 VA
Fluorescent lamps shunt compensated	1,300 VA (70 μ F)
Electronic controlgear	9x7 W, 6x11 W 5x15 W, 5x20 W
Inductive load ($\cos \varphi = 0.6/230$ V AC)	2,300
LED lamp load (~2W)	30 W
LED lamp load (2-8W)	300 W
LED lamp load (>8W)	300 W
Contact material	AgSnO ₂
Contact gap	≥ 3 mm
Mech. serviceable life	> 106
Serviceable life at rated load, $\cos \varphi = 1$	> 105
Serviceable life at rated load, $\cos \varphi = 0.6$	> 104
Max. terminal cross-section	10.7 mm ²
Max. conductor cross-section	6 mm ²
ON duration	Resettable after 30 sec.
Ambient temperature	- 10 °C to + 50 °C
Housing and insulation material	heat resistant, self-extinguishing thermoplast
Control current at 230 V AC	4.5 mA
Minimum command duration	10 ms