



Oasis 1000

One Part NEMA Photocell

Key Features

- Very low power consumption
- Filtered silicon photodiode
- Microprocessor based photo-electronic control
- Accurate switching
- 'Zero crossover voltage' switching
- Suitable for use with LED, halogen or discharge lighting

Applications

- Roadway lighting
- PFI Street lighting projects
- Local Authority street lighting
- Security lighting
- Floodlighting
- Car park and area lighting

The Oasis 1000 one part photocell is designed for street lighting applications where a high level of performance and reliability is required but with adherence to budgetary constraints.

Utilising the same integral microprocessor technology as the Oasis 2000 photocell, the Oasis 1000 delivers both low power consumption and unparalleled switching accuracy.

The photocell unit is securely housed within a highly durable sealed casing with a UV stabilised cone, and has been subjected to an exhaustive test programme to ensure consistent long term performance even after prolonged exposure to adverse weather conditions.

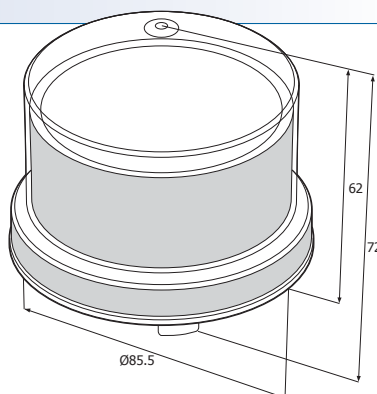


Oasis 1000 One Part NEMA Photocell

Technical Specification

Specification	Description
Sensor type	Filtered silicon photodiode
Sensor control	Microprocessor
Standard switching level	70 lux 'On', 35 lux 'Off'. Alternative settings can be factory pre-programmed on request
Switching differential	1:0.5
Operating voltage range	220-270 Vac, 50/60 Hz
Maximum lamp load	3 x 400 W inductive (96 µF), 8 A
Power consumption	< 0.25 W
Operating temperature range	-20 °C to +60 °C
Ingress protection	IP65
Alternative switching levels	Factory pre-programmable to meet customer requirements
Options	Conduit base 'Reverse acting' switching differential 110 Vac units
Approvals	RoHS compliant. CE marked and compliant with EMC emission and immunity standards Designed to meet the requirements for UMSUG code 95 0000 0000 100
Dimensions Dia. x D	85.5 x 72 mm

For product order codes or to discuss project requirements, please contact Thomas & Betts or your local representative.



Royce Thompson is the leading photo-electronic lighting controls brand from Thomas & Betts, supporting the street and amenity lighting industry since 1963.

Continuous focus on the provision of high quality, innovative products to the market ensures Royce Thompson photocells offer the best in low energy consumption, reliability and long life - helping you, the customer, achieve optimum performance whilst keeping your carbon footprint to a minimum.



Product selection

Product	Oasis 1000
Description	One part NEMA photocell

Individual product order codes subject to final product specification. Codes can be supplied on request from Thomas & Betts. To discuss project requirements, please contact your local representative or Thomas & Betts on (0)113 281 0600.

Warranty of all Royce Thompson products is subject to the standard Thomas & Betts terms & conditions of sale.

Abbreviations:

NEMA - National Electrical Manufacturers Association



FM09470

Thomas & Betts Ltd

Royce Thompson
Bruncliffe Lane
Leeds
West Yorkshire LS27 9LL

Tel: +44 (0)113 281 0600
Fax: +44 (0)113 281 0611
roycethompson@tnb.com
www.roycethompson.com