
 TECHNICAL DATA SHEET

ABB cable glands – C3 series

Ex d e non-armoured cable glands



ATEX/IECEX metallic cable glands for non-armoured cable with a single compression configuration

Certifications / Standards:


ATEX: CESI13ATEX041X

IECEX: IECEX CES 13.0014X

EACEx: RU C-GB.AA87.B.00198

CNEX: CNEX15.1692X

DNV: TAE00000Y3

Features & Benefits:

- Deluge proof
- Single compression

Applications:

- Suitable for Ex d Ex e and Ex tb applications
- Gas zones 1, 2 and dust zones 21, 22
- Control panels and junction boxes
- Power distribution
- Suitable for cable types:
 - Heavy duty circular non-armoured

Material:

- Nickel plated brass or stainless steel 316L
- Chloroprene or silicone seals

Environmental ratings:
Working Temperature:

- Normal use: -40°C to +100°C (-40°F to 212°F)

Ingress protection:

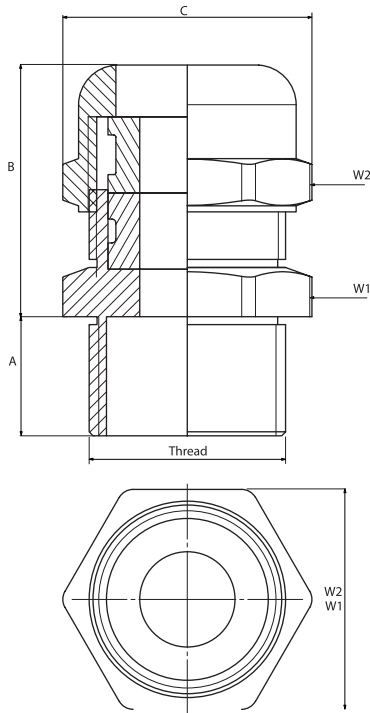
- IP66
- IP68 (5 bar 30 mins)

Chemical resistance guide:

- See publication TDS000081

Conforms to:

- EN/IEC: 60079-0, 60079-1, 60079-7, 60079-34, 62444
- Ex II 2 GD
- Ex e IIC Gb
- Ex tb IIIC Db
- ATEX Directive: 2014/34/EU
- RoHS (Restriction of Hazardous Substances Directive) 2011/65/EU Incorporating 2015/863 amendment to Annex II
- WEEE (Waste Electrical & Electronic Equipment Directive) 2002/96/EC
- LVD (Low Voltage Directive) 2014/35/EU



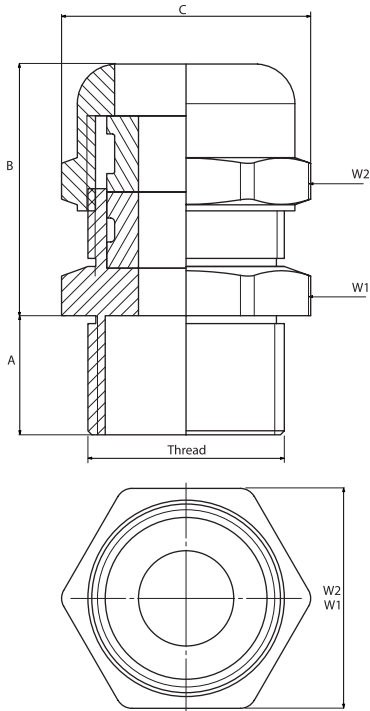
| Product selection | | | | | | | | | |
|-------------------|---------------------------|-----------------------|-----------------------|-------|-------|--------------------|-------|-------|--|
| Part no: | Standard size (metric) | Cable range Ø | | | | Nominal dimensions | | | |
| | | Inner Min. (mm/in) | Outer Min. (mm/in) | A | B | C | W1 | W2 | |
| EXN03MSC3 | M16x1.5 | 3.0 | 8.5 | 16.0 | 25.0 | 29.0 | 22.0 | 26.0 | |
| | | 0.118 | 0.335 | 0.63 | 0.984 | 1.142 | 0.866 | 1.024 | |
| EXN03MMC3 | M16x1.5 | 6.0 | 12.0 | 16.0 | 28.5 | 31.5 | 25.0 | 29.0 | |
| | | 0.236 | 0.472 | 0.63 | 1.122 | 1.24 | 0.984 | 1.142 | |
| EXN04MSC3 | M20x1.5 | 6.0 | 12.0 | 16.0 | 27.5 | 31.5 | 25.0 | 29.0 | |
| | | 0.236 | 0.472 | 0.63 | 1.083 | 1.24 | 0.984 | 1.142 | |
| EXN04MMC3 | M20x1.5 | 12.0 | 14.5 | 16.0 | 29.0 | 33.5 | 28.0 | 30.0 | |
| | | 0.472 | 0.571 | 0.63 | 1.142 | 1.319 | 1.102 | 1.181 | |
| EXN05MSC3 | M25x1.5 | 6.0 | 12.0 | 18.0 | 28.5 | 31.5 | 29.0 | 29.0 | |
| | | 0.236 | 0.472 | 0.709 | 1.122 | 1.24 | 1.142 | 1.142 | |
| EXN05MMC3 | M25x1.5 | 12.0 | 16.0 | 18.0 | 28.5 | 37.0 | 32.0 | 35.0 | |
| | | 0.472 | 0.63 | 0.709 | 1.122 | 1.457 | 1.26 | 1.378 | |
| EXN05MLC3 | M25x1.5 | 12.0 | 20.0 | 18.0 | 32.5 | 44.5 | 36.0 | 40.0 | |
| | | 0.472 | 0.787 | 0.709 | 1.28 | 1.752 | 1.417 | 1.575 | |
| EXN06MSC3 | M32x1.5 | 12.0 | 20.0 | 18.0 | 33.5 | 44.5 | 40.0 | 40.0 | |
| | | 0.472 | 0.787 | 0.709 | 1.319 | 1.752 | 1.575 | 1.575 | |
| EXN06MMC3 | M32x1.5 | 15.0 | 26.0 | 18.0 | 41.0 | 57.0 | 48.0 | 52.0 | |
| | | 0.591 | 1.024 | 0.709 | 1.614 | 2.244 | 1.89 | 2.047 | |
| EXN07MSC3 | M40x1.5 | 15.0 | 26.0 | 18.0 | 41.0 | 57.0 | 48.0 | 52.0 | |
| | | 0.591 | 1.024 | 0.709 | 1.614 | 2.244 | 1.89 | 2.047 | |
| EXN07MMC3 | M40x1.5 | 20.0 | 32.0 | 18.0 | 50.0 | 66.0 | 55.0 | 60.0 | |
| | | 0.787 | 1.26 | 0.709 | 1.969 | 2.598 | 2.165 | 2.362 | |
| EXN08MSC3 | M50x1.5 | 22.0 | 35.0 | 18.0 | 50.5 | 77.0 | 60.0 | 70.0 | |
| | | 0.866 | 1.378 | 0.709 | 1.988 | 3.031 | 2.362 | 2.756 | |
| EXN08MMC3 | M50x1.5 | 27.0 | 41.0 | 18.0 | 54.0 | 77.0 | 70.0 | 70.0 | |
| | | 1.063 | 1.614 | 0.709 | 2.126 | 3.031 | 2.756 | 2.756 | |
| EXN09MSC3 | M63x1.5 | 35.0 | 45.0 | 20.0 | 61.5 | 89.5 | 75.0 | 80.0 | |
| | | 1.378 | 1.772 | 0.787 | 2.421 | 3.524 | 2.953 | 3.15 | |
| EXN09MMC3 | M63x1.5 | 40.0 | 52.0 | 20.0 | 61.5 | 94.0 | 85.0 | 85.0 | |
| | | 1.575 | 2.047 | 0.787 | 2.421 | 3.701 | 3.346 | 3.346 | |
| EXN10MSC3 | M75x1.5 | 40.0 | 52.0 | 20.0 | 61.5 | 94.0 | 85.0 | 85.0 | |
| | | 1.575 | 2.047 | 0.787 | 2.421 | 3.701 | 3.346 | 3.346 | |
| EXN10MMC3 | M75x1.5 | 45.0 | 60.0 | 20.0 | 72.0 | 105.0 | 90.0 | 95.0 | |
| | | 1.772 | 2.362 | 0.787 | 2.835 | 4.134 | 3.543 | 3.74 | |
| EXN11MSC3 | M90x1.5 | 45.0 | 60.0 | 20.0 | 72.0 | 105.0 | 95.0 | 95.0 | |
| | | 1.772 | 2.362 | 0.787 | 2.835 | 4.134 | 3.74 | 3.74 | |
| EXN11MMC3 | M90x1.5 | 60.0 | 72.0 | 20.0 | 84.0 | 127.0 | 110.0 | 115.0 | |
| | | 2.362 | 2.835 | 0.787 | 3.307 | 5.000 | 4.331 | 4.528 | |

* For Stainless Steel version use EXS e.g. EXS03MSC3

** For installation kits with locknuts, shrouds, earth tags, and sealing washer add K e.g. EXN04MMC3K

*** Silicone seals available upon request subject to minimum order quantities

Product must be installed in accordance with applicable national and local electrical codes.



| Product selection | | | | | | | | |
|-------------------|---------------------|--------------------|--------------------|-------|--------------------|-------|-------|-------|
| Part no: | Standard size (NPT) | Cable range Ø | | | Nominal dimensions | | | |
| | | Inner Min. (mm/in) | Outer Min. (mm/in) | A Min | B Min | C Min | W1 | W2 |
| EXN03ASC3 | 3/8" | 3.0 | 8.5 | 16.0 | 25.0 | 29.0 | 22.0 | 26.0 |
| | | 0.118 | 0.335 | 0.63 | 0.984 | 1.142 | 0.866 | 1.024 |
| EXN03AMC3 | 3/8" | 6.0 | 12.0 | 16.0 | 28.5 | 31.5 | 25.0 | 29.0 |
| | | 0.236 | 0.472 | 0.63 | 1.122 | 1.24 | 0.984 | 1.142 |
| EXN04ASC3 | 1/2" | 6.0 | 12.0 | 16.0 | 27.5 | 31.5 | 25.0 | 29.0 |
| | | 0.236 | 0.472 | 0.63 | 1.083 | 1.24 | 0.984 | 1.142 |
| EXN04AMC3 | 1/2" | 12.0 | 14.5 | 16.0 | 29.0 | 33.5 | 28.0 | 30.0 |
| | | 0.472 | 0.571 | 0.63 | 1.142 | 1.319 | 1.102 | 1.181 |
| EXN05ASC3 | 3/4" | 6.0 | 12.0 | 18.0 | 28.5 | 31.5 | 29.0 | 29.0 |
| | | 0.236 | 0.472 | 0.709 | 1.122 | 1.24 | 1.142 | 1.142 |
| EXN05AMC3 | 3/4" | 12.0 | 16.0 | 18.0 | 28.5 | 37.0 | 32.0 | 35.0 |
| | | 0.472 | 0.63 | 0.709 | 1.122 | 1.457 | 1.26 | 1.378 |
| EXN05ALC3 | 3/4" | 12.0 | 20.0 | 18.0 | 32.5 | 44.5 | 36.0 | 40.0 |
| | | 0.472 | 0.787 | 0.709 | 1.28 | 1.752 | 1.417 | 1.575 |
| EXN06ASC3 | 1" | 12.0 | 20.0 | 18.0 | 33.5 | 44.5 | 40.0 | 40.0 |
| | | 0.472 | 0.787 | 0.709 | 1.319 | 1.752 | 1.575 | 1.575 |
| EXN06AMC3 | 1" | 15.0 | 26.0 | 18.0 | 41.0 | 57.0 | 48.0 | 52.0 |
| | | 0.591 | 1.024 | 0.709 | 1.614 | 2.244 | 1.89 | 2.047 |
| EXN07ASC3 | 1 1/4" | 15.0 | 26.0 | 28.0 | 41.0 | 57.0 | 48.0 | 52.0 |
| | | 0.591 | 1.024 | 1.102 | 1.614 | 2.244 | 1.89 | 2.047 |
| EXN07AMC3 | 1 1/4" | 20.0 | 32.0 | 18.0 | 50.0 | 66.0 | 55.0 | 60.0 |
| | | 0.787 | 1.26 | 0.709 | 1.969 | 2.598 | 2.165 | 2.362 |
| EXN08ASC3 | 1 1/2" | 22.0 | 35.0 | 18.0 | 50.5 | 77.0 | 60.0 | 70.0 |
| | | 0.866 | 1.378 | 0.709 | 1.988 | 3.031 | 2.362 | 2.756 |
| EXN08AMC3 | 1 1/2" | 27.0 | 41.0 | 18.0 | 54.0 | 77.0 | 70.0 | 70.0 |
| | | 1.063 | 1.614 | 0.709 | 2.126 | 3.031 | 2.756 | 2.756 |
| EXN09ASC3 | 2" | 35.0 | 45.0 | 20.0 | 61.5 | 89.5 | 75.0 | 80.0 |
| | | 1.378 | 1.772 | 0.787 | 2.421 | 3.524 | 2.953 | 3.15 |
| EXN09AMC3 | 2" | 40.0 | 52.0 | 20.0 | 61.5 | 94.0 | 85.0 | 85.0 |
| | | 1.575 | 2.047 | 0.787 | 2.421 | 3.701 | 3.346 | 3.346 |
| EXN10ASC3 | 2 1/2" | 40.0 | 52.0 | 20.0 | 61.5 | 94.0 | 85.0 | 85.0 |
| | | 1.575 | 2.047 | 0.787 | 2.421 | 3.701 | 3.346 | 3.346 |
| EXN10AMC3 | 2 1/2" | 45.0 | 60.0 | 20.0 | 72.0 | 105.0 | 90.0 | 95.0 |
| | | 1.772 | 2.362 | 0.787 | 2.835 | 4.134 | 3.543 | 3.74 |
| EXN11ASC3 | M90x1.5 | 45.0 | 60.0 | 20.0 | 72.0 | 105.0 | 95.0 | 95.0 |
| | | 1.772 | 2.362 | 0.787 | 2.835 | 4.134 | 3.74 | 3.74 |
| EXN11AMC3 | M90x1.5 | 60.0 | 72.0 | 20.0 | 84.0 | 127.0 | 110.0 | 115.0 |

* For Stainless Steel version use EXS e.g. EXS03MSC2

** For installation kits with locknuts, shrouds, earth tags, and sealing washer add K e.g. EXN04MMC2K

*** Silicone seals available upon request subject to minimum order quantities

Product must be installed in accordance with applicable national and local electrical codes.

ABB Inc.
Electrification products
Memphis, Tennessee
USA

We reserve the right to make technical changes or modify the contents of this document without prior notice. With regard to purchase orders, the agreed particulars shall prevail. ABB Inc. does not accept any responsibility whatsoever for potential errors or possible lack of information in this document.

We reserve all rights in this document and in the subject matter and illustrations contained therein. Any reproduction, disclosure to third parties or utilization of its contents – in whole or in parts – is forbidden without prior written consent of ABB Inc. Copyright© 2017 ABB Inc. All rights reserved