
 TECHNICAL DATA SHEET

Device box, universal 2-gang

Weatherproof

Red Dot®



Rugged outlet box to accept wiring devices, switches, electronic components, and terminal blocks.

Certifications / Standards:


Features:

- Two gang design with three hubs.
- 31.8 Cu. In. internal volume.
- Die-cast construction.
- Factory Installed ground screw.
- Suitable for wet locations when used with appropriate cover.
- Clean cover edges provide good gasket sealing.
- Precision-cast and machined surfaces permit safer wire pulling.
- Convenient mounting lugs for a variety of mounting methods.
- Securely fastened mounting plates reduce costly call backs.

Applications:

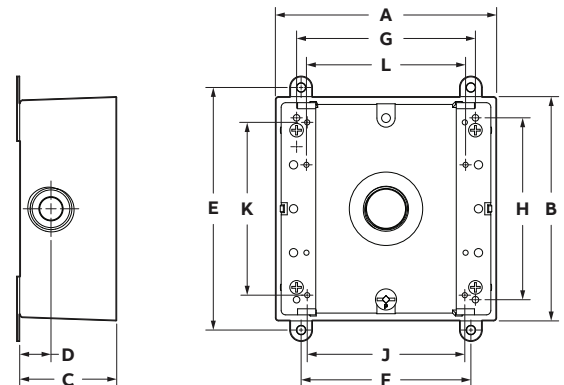
- Dry-tite™ boxes protect wiring devices, switches, electronic components, and terminal blocks.
- Outlet boxes provide spacious accessible wiring chamber.

Compliance:

- NEMA 3R rated

Material:

- Aluminum alloy A380
- Power-coated finish



Product selection (inches)

Part no:	Hub size	A	B	C	D	E	F	G	H	J	K	L
S400CN	½	4.56	4.62	2.00	0.65	5.00	3.50	3.69	3.75	3.25	3.56	3.28
S405E	¾	4.56	4.62	2.00	0.65	5.00	3.50	3.69	3.75	3.25	3.56	3.28

Note: Product must be installed in accordance with applicable national and local electrical codes.