
 TECHNICAL DATA SHEET

PMA Accessories - MONK-M - Metal fitting

IP68, metric thread

PMA



Special metal fitting for overbraided conduits with metric thread

CE

Applications:

- For termination of overbraided corrugated conduits
- For high temperature applications
- In railway vehicle construction
- For high loads
- In areas with hot metal shavings and flying sparks

Features & Benefits:

- Very high impact resistance
- High thread and system connection strengths
- Vibration-proof connection to overbraided PMAFLEX conduits
- Easy mounting
- High conduit pull-out strength
- Very good weather resistance
- Fits both conduit profiles - fine (T) and coarse (G)

Ingress protection:

- IP68 stat. / IP67 dyn.

Materials:

- Nickel-plated brass
- Seals made from silicon

Compatible with:

- Steel overbraided PMA corrugated conduits

Temperature range:

- Temperature range stat. application (-60...+260°C)
- Temperature range dyn. application (-45...+260°C)

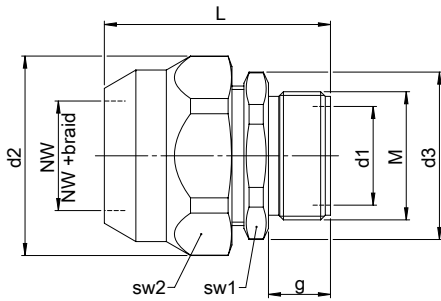
Environmental properties:

- Free from halogens and cadmium
- RoHS and REACH compliant

Product selection:

Part no.	Thread size	Conduit size	Dimensions in mm (nom.)							Weight	Packing unit
			g	L	d1	d2	d3	SW1	SW2		
MONK-M162	M16 x 1.5	12	12.0	44.8	11.4	33.1	26.6	24.0	30.0	9.8	1
MONK-M207	M20 x 1.5	17	14.2	49.5	15.8	38.7	31.0	28.0	35.0	12.6	1
MONK-M257	M25 x 1.5	17	12.2	47.0	19.1	38.7	32.4	30.0	35.0	14.0	1
MONK-M253	M25 x 1.5	23	15.1	56.9	19.1	49.4	41.6	38.1	44.4	22.4	1
MONK-M329	M32 x 1.5	29	18.0	65.2	26.4	55.5	46.6	42.0	50.0	29.2	1
MONK-M406	M40 x 1.5	36	15.0	73.2	35.0	77.6	60.1	54.0	70.0	60.2	1
MONK-M508	M50 x 1.5	48	16.0	79.0	44.9	92.4	75.5	70.0	85.6	95.0	1

Our customer service dept. or local distribution partner will be pleased to help you concerning product availability and lead time



Thermal properties:	Value:	Test parameters:	Test method:
Temperature range stat. application	- 60 ... + 260 °C		
Temperature range dyn. Application	- 45 ... + 260 °C		

System temperature dictated by conduit TDS - (please see specific conduit data sheet)

Content of delivery:

- Metal connector
- Conduit sealing ring
- Thread gasket (SVN4) and O-ring (two alternatives)

Assembly instructions:

- Please use either O-Ring or thread gasket.
In case of using the thread gasket the pre-assembled O-Ring needs to be removed

ABB Switzerland Ltd,
PMA Cable Protection
Aathalstrasse 90
8610 Uster, Switzerland
Phone: +41 58 585 00 11
pma-info@ch.abb.com
www.pma.ch

Let's write the future.
Together. **abb.com**

We reserve the right to make technical changes or modify the contents of this document without prior notice. With regard to purchase orders, the agreed particulars shall prevail. ABB Installation Products Inc. does not accept any responsibility whatsoever for potential errors or possible lack of information in this document.

We reserve all rights in this document and in the subject matter and illustrations contained therein. Any reproduction, disclosure to third parties or utilization of its contents – in whole or in parts – is forbidden without prior written consent of ABB Inc. Copyright© 2019 ABB Installation Products Inc. All rights reserved

