

VM1 Vacuum circuit-breaker

Contents

1	Summary	6
2	Structure	7
3	Function	8
4	Despatch and storage	11
5	Installation and mounting of the breaker	12
6	Commissioning/Operation	12
7	Maintenance	15
8	Application of the X-ray regulations	21
9	Figures	22
10	Technical data	32
11	Comparison of designations to IEC 61346-1 / 61346-2, IEC 81346-1 / 81346-2 and VDE-DIN 40719 Part 2	52



Your safety first – always!

That's why our instruction manual begins with these recommendations:

- Only install switchgear and/or switchboards in enclosed rooms suitable for electrical equipment.
- Ensure that installation, operation and maintenance are carried out by specialist electricians only.
- Comply in full with the legally recognized standards (DIN IEC/VDE), the connection conditions of the local electrical utility and the applicable safety at work regulations.
- Observe the relevant information in the instruction manual for all actions involving switchgear and switchboards.



Danger!

- Pay special attention to the hazard notes in the instruction manual marked with this warning symbol.
- Make sure that under operation condition of the switchgear or switchboard the specified data are not exceeded.
- Keep the instruction manual accessible to all persons concerned with installation, operation and maintenance.
- The user's personnel are to act responsibly in all matters affecting safety at work and the correct handling of the switchgear.
- Always observe the five safety rules set out in EN 50110 on establishing and securing the off-circuit condition at the place of work for the duration of work on the switchgear.

- Isolate

- Secure to prevent reconnection

- Check the off-circuit condition

- Earth and short-circuit

- Cover the guard off adjacent live parts

If you have any further questions on this instruction manual, the members of our field organization will be pleased to provide the required information.

Contents	Page
1 Summary	6
1.1 General	6
1.2 Standards and specifications	6
1.2.1 Switchgear manufacture	6
1.2.2 Installation and operation	6
1.3 Operating conditions	6
1.3.1 Normal operating conditions	6
1.3.2 Special operating conditions	6
2 Structure	7
2.1 Structure of the operating mechanism	7
2.1.1 Structure of the control module	7
2.1.2 Storage capacitor	7
2.1.3 Sensor system	7
2.2 Structure of the breaker poles	7
2.3 Basic structure of the circuit-breaker on withdrawable part	8
3 Function	8
3.1 Function of the circuit-breaker operating mechanism	8
3.1.1 Magnetic actuator	8
3.1.2 Opening and closing procedure	8
3.1.3 Auto-reclosing sequence	8
3.1.4 Circuit-breaker controller	8
3.1.4.1 Function of the standard version	8
3.1.4.2 Extended functions in the full version	9
3.1.5 "READY" lamp	9
3.1.6 Blocking magnet -RL2	9
3.2 Wiring diagrams for C.B. on withdrawable part	9
3.3 Quenching principle of the vacuum interrupter	9
3.4 Interlocks	10
3.4.1 Interlocks / protection against maloperation (for C.B. on withdrawable parts)	10
3.4.2 Interlocks for VM1 withdrawable parts	10
3.4.2.1 Interlocks when using ABB withdrawable assemblies are used	10
3.4.3 Interlocks when using non-original withdrawable assemblies are used	10
4 Despatch and storage	11
4.1 Condition on delivery	11
4.2 Packaging	11
4.3 Transport	11
4.4 Delivery	11
4.5 Intermediate	11
5 Installation and mounting of the breaker	12

We reserve all rights to this publication. Misuse, particularly including duplication and making available of this manual – or extracts – to third parties is prohibited. The information supplied is without liability. Subject to alteration.

Contents	Page
6 Commissioning/Operation	12
6.1 Note on safety at work	12
6.2 Preparatory activities	12
6.3 Earthing	13
6.4 Movement of the withdrawable breaker part	13
6.4.1 Manual insertion from the test/disconnected position to the service position	13
6.4.2 Manual withdrawal from the service position into the test/disconnected position	13
6.4.3 Motor-driven movement of the withdrawable part	13
6.4.4 Withdrawal from the test/disconnected position onto the service truck	14
6.4.5 Insertion from the service truck into the test/disconnected position	14
6.5 Circuit-breaker operation	14
7 Maintenance	15
7.1 General	15
7.2 Inspection and functional testing	16
7.2.1 Circuit-breaker in general	16
7.2.2 Magnetic actuator operating mechanism	16
7.2.3 Lock and release device withdrawable assembly	16
7.3 Servicing	16
7.3.1 Circuit-breaker in general	16
7.3.2 Magnetic actuator operating mechanism	16
7.3.3 Breaker pole	17
7.4 Repair	17
7.4.1 Repair of surface damage	17
7.4.2 Replacement of components	18
7.5 Tests on withdrawable parts with VM1 type circuit-breaker	18
7.5.1 Motor-driven withdrawable parts	18
7.5.2 Checking the auxiliary switch settings on withdrawable parts	18
7.5.3 Checking the direction of rotation of the travel motors on motor-driven withdrawable parts	18
7.5.4 Checking of interlock conditions	19
7.6 Spare parts, auxiliary materials, lubricants	19
7.6.1 Spare parts	19
7.6.2 Auxiliary materials and lubricants	20
8 Application of the X-ray regulations	21
9 Figures	22
10 Technical data	32
10.1 Technical data, general	32
10.1.1 Technical data for Control electronics	32
10.1.2 Technical data for AC/DC converter	32
10.1.3 Permissible number of vacuum interrupter operating cycles	33
10.2 Technical data Circuit-breakers for fixed installation	35
10.2.1 Performance data and weights	35
10.2.2 Dimensions	37
10.3 Technical data Circuit-breakers on withdrawable part	40
10.3.1 Performance data and weights	40
10.3.2 Dimensional drawings	42
10.3.3 Wiring diagrams for C.B. on withdrawable part	48
11 Comparison of designations to IEC 61346-1 / 61346-2, IEC 81346-1 / 81346-2 and VDE-DIN 40719 Part 2	52

1 Summary

1.1 General

The vacuum circuit-breakers of type VM1 are intended for indoor installation in air-insulated switchgear. Within the limits of their technical data, they have a switching capacity which is sufficient to withstand the loads occurring during the switching on and off of equipment and switchgear components under normal and fault conditions.

Vacuum circuit-breakers have particular advantages for use in systems where the switching frequency in the operating current range is high, and/or where a certain number of short-circuit breaking operations have to be reckoned with. Vacuum circuit-breakers of type VM1 are prepared for auto-reclosing operations and are notable for their especially high operational reliability and extremely long service life with complete freedom from maintenance.

The vacuum circuit-breakers of type VM1 in column design can be supplied both on withdrawable parts and as individual units for stationary mounting and mounted on trucks. Their basic structure is shown in section "Technical data".

1.2 Standards and specifications

1.2.1 Switchgear manufacture

The switchgear complies with the following specifications in accordance with DIN VDE and the relevant IEC publications:

- VDE 0670, part 1000 and IEC 60694
- VDE 0671, part 100, and IEC 62271-100.

1.2.2 Installation and operation

The relevant specifications are to be taken into account during installation and operation, particularly:

- DIN VDE 0101, Power installations exceeding AC 1 kV
- DIN VDE 0100-410, Erection of power installations up to 1000 V, protective measures
- VDE 0105, Operation of electrical installations
- DIN VDE 0141, Earthing systems for special power installations with rated voltages above 1 kV
- Accident prevention regulations issued by the appropriate professional bodies or comparable organisations.
- In Germany, these comprise the following safety regulations:
 - Health and Safety at Work Standards BGV A1 and BGV A3
- Safety guidelines for auxiliary and operating materials
- Order related details provided by ABB.

1.3 Operating conditions

1.3.1 Normal operating conditions

Design to VDE 0670, part 1000, „Common specifications for high-voltage switchgear and controlgear standards“ and IEC publication 60694, with the following limit values:

- Ambient temperature:
 - Maximum +40°C
 - Maximum 24 hour average +35°C
 - Minimum (according to „minus 25 indoor class“) -25°C
- Humidity:
 - the average value of the relative humidity, measured over a period of 24 h, does not exceed 95%
 - the average value of the water vapour pressure, over a period of 24 h, does not exceed 2.2 kPa
 - the average value of the relative humidity, over a period of one month, does not exceed 90%
 - the average value of the water vapour pressure, over a period of one month, does not exceed 1.8 kPa
- Maximum site altitude:
 - ≤ 1000 m above sea level.

1.3.2 Special operating conditions

Special operating conditions are to be agreed on by the manufacturer and user. The manufacturer must be consulted in advance about each special operating condition:

- Site altitude over 1000 m:
 - Allow for the reduction in the dielectric strength of the air.
- Increased ambient temperature:
 - Current carrying capacity is reduced.
 - Provide additional ventilation for heat dissipation.
- Climate:
 - Avoid the risk of corrosion or other damage, e.g. to the operating mechanisms, in areas:
 - with high humidity and/or
 - with major rapid temperature fluctuations.
 - Implement preventive measures (e.g. electric heaters) to preclude condensation phenomena.

2 Structure

2.1 Structure of the operating mechanism

(Figures 9/11 to 9/14 and 9/26)

The operating mechanism is of the magnetic type. It fundamentally consists of the magnetic actuator 10, the control module 27 with sensor systems, the storage capacitor(s) 26 and the linkages which transmit the force to the breaker poles.

In addition, there are supplementary components for emergency manual opening and the controls located on the front of the enclosure.

The actuator 10 acts on the three breaker poles via lever shaft 18. The storage capacitor 26 provides the necessary actuating energy on demand.

The mechanical switch positions of the circuit-breaker are detected by two sensors 15 and 16 directly at lever shaft 18.

There are rating plates 7 with the main data of the switching device on front plate 1.1, and at the left side in the mechanism enclosure.

The **basic version** of the magnetic actuator mechanism is fitted with the following controls and instruments (figure 9/17):

- ON push-button 3
- OFF push-button 4
- Emergency manual OFF 8
- Mechanical position indicator 6
- Mechanical operating cycle counter 5
- Signal lamp for switching readiness 2 ("READY" lamp).

The following may also be installed:

- Five-pole auxiliary switches for switch position signal:
-BB1 and -BB3.

2.1.1 Structure of the control module (Figures 9/14 and 9/16a)

Control module ED 2.0 produces a voltage of 80 V from any supply voltage within the input voltage range, with which the storage capacitor(s) is/are charged. This is also used to generate a voltage of 18 V to supply the breaker controller.

The circuit-breaker controller consists of:

- a microprocessor,
- electronic optocouplers for input,
- relays for output,
- power electronics to control the actuator coils.

2.1.2 Storage capacitor (Figures 9/14, 9/16b and 9/26)

The energy for operation of the circuit-breaker is stored electrically in a capacitor. Circuit-breakers for breaking currents of 31.5 kA and above are fitted with two capacitors. The capacitors are designed in such a way that the energy for an OFF-ON-OFF operating cycle is provided without recharging.

The energy stored by the capacitor is permanently monitored. This is achieved by measuring the capacitor voltage.

The „READY“ lamp indicates that supply voltage is applied and the circuit-breaker is ready for the impending switching operation (see also sections 3.1.5 and 6.2).

The energy stored in the capacitors is one criterion for illumination of the "READY" lamp:

- Case 1: Breaker in the OFF position.
 - The energy available is sufficient for an ON and an OFF switching operation.
- Case 2: Breaker in the ON position.
 - The energy available is sufficient for an OFF switching operation.
 - The energy available is sufficient for an OFF switching operation in the first 60 or 120 seconds (from 31.5 kA) after failure of the auxiliary power supply (see also section 6.5).

If the energy stored is not sufficient, the "NOT READY" contact is closed, indicating that the switch is not ready for operation.

2.1.3 Sensor system (Figures 9/13 and 9/14)

The systematic use of sensors permits control of the circuit-breaker without auxiliary switches.

Two inductive proximity switches 15 and 16 are used to detect the mechanical limit positions, which also provide for self-monitoring of the system.

2.2 Structure of the breaker poles (Figures 9/7, 9/9 and 9/12)

The poles in column design are mounted on the bracket-shaped rear part of mechanism enclosure 1. The live parts of the breaker poles are enclosed in cast resin and protected from impacts and other external influences.

With the breaker closed, the current path leads from the upper breaker terminal 25 to the fixed contact 24.2 in the vacuum interrupter 24, then via the moving contact 24.1 and the flexible connector 21 to the lower breaker terminal 22.

The switching motions are effected by means of the insulated link rod 19 with internal contact force springs 20.

2.3 Basic structure of the circuit-breaker on withdrawable part

(Figures 9/7 to 9/10, 9/17 and 9/22)

The withdrawable part, which can be moved manually or by a motor if fitted, consists of a steel sheet structure on which the circuit-breaker with its ancillary components is mounted.

Insulated contact arms 34 with the spring-loaded contact systems 34.1 are fitted to the circuit-breaker poles. These create the electrical connection to the panel when the withdrawable part is inserted into the service position.

A multi-pole control wiring plug connector 36.1 connects the signalling, protection and control wiring between the panel and the withdrawable part.

The withdrawable assembly and the circuit-breaker are connected via a multi-pole control wiring plug connector 37.

As soon as the withdrawable part 31 has been slid into the panel and its base frame has engaged in the test/disconnected position, it is positively connected to the panel. At the same time, it is earthed by its travel rollers in their rails. The magnetic actuator mechanism of the circuit-breaker, including its controls and indicators, is accessible at the front of the withdrawable part.

Withdrawable parts of the same version are interchangeable. With the same dimensions but different circuit-breaker equipment, an optional coding of the control wiring plug can prevent impermissible combinations of withdrawable parts and panels (see figure 9/15).

3 Function

3.1 Function of the circuit-breaker operating mechanism

3.1.1 Magnetic actuator (Figure 9/12)

The actuator is the heart of the circuit-breaker operating mechanism. It combines the following integrated functions:

- latching in the limit positions,
- release,
- switching.

The actuator is a bistable permanent magnet system in which the armature motion is effected by activating the ON or OFF coil. In the limit positions, the armature is held in place magnetically by the field of two permanent magnets. Release of a switching operation is effected by exciting one of the two coils until the latching force of the permanent magnets is exceeded temporarily.

3.1.2 Opening and closing procedure (Figures 9/11 to 9/12)

The opening and closing processes can be remote controlled by applying a voltage to input -MC (ON) and -MO1 (OFF) (see

also sections 10.1.1a and 6.2). The breaker can be operated locally by pressing push-buttons 3 and 4.

In the closing process, the armature motion acts direct via lever shaft 18 on the moving contact 24.1 until the contacts meet.

In the further motion sequence, the pretensioned spring arrangement 20 is tensioned to 100 % and the necessary contact force thus applied. The available overtravel is greater than the maximum contact burn-off throughout the life of the vacuum interrupter.

3.1.3 Reclosing sequence

The operating mechanism is fundamentally prepared for reclosing, and with the short recharging time of the storage capacitor (max. 5 s) it is also suitable for multi-shot reclosing.

3.1.4 Circuit-breaker controller

The control module is available as a standard version and as a full version.

3.1.4.1 Function of the standard version

All the conditions for control of the opening and closing commands to the magnetic actuator are defined in a microprocessor:

- Supply voltage must be applied to the AC/DC converter.
- The storage capacitor must be sufficiently charged for the next switching operation:

Switch position	Storage capacitor-energy for
OFF	ON and OFF
ON	OFF

- The closing coil can only be activated when the breaker is OFF.
- Closing is disabled when an opening command is simultaneously active.
- Deactivation of the opening or closing coil takes place when the relevant limit position has been reached.

If the ON limit position is not reached within 70 ms during a closing operation, an opening operation is immediately initiated so as to ensure a defined switch position in all cases.

- The anti-pumping system ensures that only one ON-OFF operation is performed when a closing command is active and followed by an opening command. The active closing command must be cancelled and reset for the next closing operation.
- Activation of the closing coil (-RL1) can be blocked by an external blocking signal.
- Input -RL1 "closing lock-out" (closed circuit shunt release) must be energized for the circuit-breaker to be closed.
- In the as-delivered condition of devices for stationary-mounted installation (without wiring), this input is therefore provided with a voltage of 80 V by an internal circuit as soon as the storage capacitor is charged.
- If this closed circuit shunt release -RL1 is used to monitor an external voltage, the voltage to be monitored is to be applied to this input.

3.1.4.2 Extended functions in the full version

In addition to the functions of the standard version, the full version contains the following functions:

- Undervoltage release -MU

This input switches the VM1 off if the voltage applied falls below the tolerance range stipulated in IEC 62271.

The nominal value of the voltage to be monitored is set at the works in accordance with the specification in the order.

In order to prevent switch-off when the voltage briefly falls below the specified level (e.g. on motor start-up), a tolerance time can additionally be set.

If no voltage is applied to -MU, the VM1 cannot be closed normally. However a closing support function is provided, that can enable the closing operation even if no voltage is applied to -MU. If after this closing operation no voltage is applied to -MU, the VM1 will switch off.

The function of -MU can on the control module be deactivated if it is not required. If the function of -MU is deactivated, the VM1 can be opened and closed without any voltage being applied.

For the coding of the DIP switches, see figure 9/16a.

- Monitoring of the closing and opening coil of the actuator

This function monitors the closing and opening coil of the actuator for cable breakage. If such a breakage is detected, the "READY" lamp on the front of the switching device goes out and corresponding signals (-DR, -DN) are issued.

- Additional contacts for position signalling

An additional pair of NO contacts to signal the ON and OFF positions are made available by the controller (-DO2, -DC2).

- Direct opening without microprocessor is supported

The second opening input -MO2 (in the full version on the control module) is designed in such a way that an opening command is executed directly without being passed through the microprocessor.

3.1.5 The "READY" lamp monitors the following conditions:

- supply of auxiliary power to the VM1 circuit-breaker (see also section 6.2),
- detection of a defined ON or OFF position by the position sensors,
- monitoring of the controlled function of the microprocessor – Watchdog,
- sufficient voltage at the capacitor for the next switching operation (see also section 2.1.2) and
- continuity of the actuator coils ¹⁾.

The "READY" lamp does not monitor the status of inputs -RL1 and -MU¹⁾. Therefore, it may happen that the VM1 will not perform a closing operation even though "READY" is shining. In that case, the status of inputs -RL1 and -MU¹⁾. has to be checked.

A flashing "READY" lamp signals recharging of the capacitor. Switching readiness is enabled during that time. This interlock is cancelled by applying the supply voltage to blocking magnet -RL2 and the READY contact -DR.

3.1.6 Blocking magnet -RL2 (Figure 9/28)

Blocking magnet -RL2 fitted to:

- manually movable VM1 withdrawable parts,
- ZS8.4 withdrawable parts without mechanical plug connector interlock.

The blocking magnet prevents the withdrawable part from being moved when no supply voltage is applied. This interlock is cancelled by applying the supply voltage to blocking magnet -RL2.

3.2 Wiring diagrams for C.B. on withdrawable part (Figures 10/10 to 10/13 and 9/15)

- The wiring diagrams, shown in figures 10/10 to 10/13, cover the basic equipment and all the possible configurations of the various VM1 series. The scope of equipment which can be installed within each series is detailed in the relevant switching device list. The actual equipment installed in the individual case can be found in the order documents.

Panel type	Plug type	Figure no.
ZS1, UniGear type ZS1, UniSafe, Powerbloc and Mounting frame	58-pin control wiring plug	10/10 and 10/11
ZS8.4	64-pin control wiring plug	10/12 and 10/13

- It is possible to encode the 58-pin control wiring plug connector to define the assignment of the breaker withdrawable parts to particular panels. Impermissible combinations of withdrawable parts and panels are thus prevented. The possible encoding of a 58-pin plug is shown in figure 9/15.

3.3 Quenching principle of the vacuum interrupter

Due to the extremely low static interrupter chamber pressure of 10⁻⁴ to 10⁻⁸ hPa, only a relatively small contact gap is required to achieve a high dielectric strength. The vacuum arc is extinguished on one of the first natural current zeros.

Due to the small contact gap and the high conductivity of the metal vapour plasma, the arc drop voltage, and additionally, due to the short arcing time, the associated arc energy, are extremely low, which has advantageous effects on the life of the contacts and thus on that of the vacuum interrupters.

¹⁾ Full version on the control module, optional

3.4. Interlocks

3.4.1 Interlocks/protection against maloperation for C.B. on withdrawable parts (Figure 9/8)

A series of interlocks are provided to prevent dangerous situations and any maloperation. The interlocks of the panel system ZS and/or the Powerbloc/mounting frame, which are normally effective, are as follows (concerning the circuit-breaker):

- The withdrawable part can only be moved from the test/disconnected position into the service position (and back) with the circuit-breaker open (that means that the breaker must be opened before).
- The circuit-breaker can only be closed if the withdrawable part is precisely in the defined test position or service position (electrical interlock).
- The circuit-breaker can only be opened manually in the service or test position when no control voltage is applied, and it can not be closed.
- The panel is equipped with devices which allow the connection and disconnection of the control wiring plug 36.1 only in the test/disconnected position.

3.4.2 Interlocks within VM1 withdrawable parts

3.4.2.1 Interlocks when ABB withdrawable assemblies are used (Figures 9/10, 9/27 and 10/10 to 10/13)

1. The VM1 can only be closed via input -MC when a voltage of 24 V to 240 V AC/DC is applied to input -RL1 (electrical closing lock-out).
2. The VM1 can only be closed when the with-drawable assembly is in service or test position. In the intermediate positions, the voltage for the closing lock-out -RL1 is interrupted by auxiliary switches -BT2/-BT1.
3. A mechanical interlock 35.5 and 41.2 prevents a breaker that is not in the OFF position being moved.

3.4.3 Interlocks when non-original withdrawable assemblies are used (Figures 9/27, 10/3 and 10/15 to 10/19)

VM1 circuit-breakers which are not mounted on ABB withdrawable part must be electrically interlocked with one or two additional auxiliary switches. These must interrupt the input voltage to the electrical closing lock-out (input -RL1).

In a similar manner to auxiliary switches -BT2 and -BT1 on the ABB withdrawable part, no further electrical pulse may be received by -RL1 after the first half revolution of spindle system 35.1, and it may only be re-applied after the last half revolution. This ensures that the circuit-breaker cannot be closed when the withdrawable part is in an intermediate position.

An interlock as described in 3.4.2.1 part 3, is to be implemented to prevent a circuit-breaker which is not in the OFF condition from being moved. The slide blocker 41.2 on the VM1 (optional accessory for stationary mounted breakers) can be used for this purpose: the slide blocker is outside base plate 41.4. Figure 9/27 shows pawl 35.5 on the ABB withdrawable part. With the circuit-breaker not in the OFF position, pawl 35.5 cannot be moved upwards. This prevents movement of the withdrawable assembly and therefore movement of the circuit-breaker.

Note:

Additionally fitted interlocks must not exert any force on the operating mechanism of the circuit-breaker.

As the interlock mechanism projects beyond the base of the circuit-breaker casing, measures must be taken to prevent the circuit-breaker from weighing down on the interlock, for instance during transport.

4 Despatch and storage

4.1 Condition on delivery

- The factory-assembled switching devices are checked at the works for completeness of the equipment installed and simultaneously subjected to a routine test in accordance with VDE 0670, part 1000 or IEC publication 60694, thus verifying their correct structure and function.

Storage capacitor 26 is discharged by the connected control electronics, and has a terminal voltage of < 10 V when delivered.

4.2 Packaging

The switching devices are mounted individually on a wooden pallet and sealed in film and/or packed in cardboard for delivery.

Packaging for overseas shipment:

- Drying agent bags inserted in the film sealed packaging.

4.3 Transport

Loading of the package units must only be carried out with a



- crane,
- fork-lift truck and/or
- trolley jack.

Notes:

- Avoid impact during handling.
- Do not subject to other damaging mechanical stresses.
- Lifting gear must not be attached to the breaker poles or parts of the operating mechanism.
Use lifting bores 1.2 and lifting lugs, e.g. in figure 9/11 and in the dimensional drawings.

4.4 Delivery

The duties of the consignee on receipt of the switching devices at site include the following:

- Checking the delivery for completeness and freedom from damage (e.g. moisture and its adverse effects).
- Any short quantities, defects or damage in transit:
 - Must be precisely documented on the consignment note.
 - The shipper/carrier is to be notified immediately in accordance with the liability provisions of the German general conditions for forwarders (ADSp/KVO).

Note:

Always document any major damage with photographs.

4.5 Intermediate storage

Conditions for optimum intermediate storage:

1. Devices with basic packaging or unpacked:

- A dry and well ventilated storeroom with climate in accordance with VDE 0670, Part 1000 / IEC 60694.
- Room temperature which does not fall below -25°C .
- Do not remove or damage the packaging.
- Unpackaged devices:
 - Are to be loosely covered with protective sheeting.
 - Sufficient air circulation must be maintained.
- Check regularly for any condensation.

2. Devices with seaworthy or similar packaging with internal protective sheeting:

- Store the transport units:
 - protected from the weather,
 - dry,
 - safe from damage.
- Check the packaging for damage.
- If the maximum storage period starting from the date of packaging has been exceeded:
 - The protective function of the packaging is no longer guaranteed.
 - Suitable action must be taken if intermediate storage is to continue.

3. Storage capacitor 26:

There is no time limit on storage when the above conditions are fulfilled.

5 Installation and mounting of the breaker

Careful and professional installation of the switchgear is one of the fundamental conditions of trouble-free circuit-breaker operation.

- Install the mechanism enclosure in the panel without distortion, placing a dished washer under the nut and bolt head at each of the four mounting points (depending on the order).
- Connect the main terminals without any residual tension or pressure forces, exerted for example by the conductor bars.
- When connecting the conductor bars, the bolts must be inserted to the depth shown on the dimensional drawing.
- Observe the tested terminal zone where appropriate.
- Use DIN bolts of tensile class 8.8 together with dished washers to fasten the conductor bars.
- Only use the tightening torques shown in the following table.
- Remove any contamination (see also section 7.3.1.)

Thread	Recommended tightening torque ¹⁾	
	Nm	
	Lubricant ²⁾	
	Without (dry)	Oil or grease
M 6	10.5	4.5
M 8	26	10
M 10	50	20
M 12	86	40
M 16	200	80

¹⁾ The rated tightening torques for fasteners without lubrication are based on a coefficient of friction for the thread of 0.14 (the actual values are subject to an unavoidable, partly not inconsiderable, spread).

Rated tightening torques for fasteners with lubrication in accordance with DIN 43 673.

²⁾ Thread and head contact surface lubricated.

Any tightening torques which deviate from those in the general table (e.g. for contact systems or device terminals) are to be taken into account as stated in the detailed technical documentation. It is recommended that the threads and head contact surfaces of the bolts should be lightly oiled or greased, so as to achieve a precise rated tightening torque.

6 Commissioning / Operation

6.1 Notes on safety at work

(Figure 9/17)



- Operation is only permissible by specially trained personnel who are familiar with the characteristics of the particular switching device.
- Observe the relevant specifications as set out in section 1.2.
- Before a VM1 on a withdrawable part is moved it must be verified that the circuit-breaker is switched off. This is the case when the mechanical position indicator 6 shows the position "O" and when "READY" is shining on the ready lamp 2 while the breaker is supplied with auxiliary voltage.
- Due to safety reasons, the circuit-breaker has to be treated as "switched on" if the switching position can not be clearly determined. In this case all high voltage connections to the breaker have to be de-energized and zero potential on the primary side of the breaker has to be confirmed prior to commissioning, operation, maintenance or repair work.
- The discharge energy of the storage capacitor is greater than 350 mJ. The procedure for discharge of the storage capacitor as set out in section 7.1 is to be observed.

6.2 Preparatory activities

(before connecting the primary voltage)

- Check the circuit-breaker, withdrawable part, contact arms, insulating parts etc. for damage, and restore to their proper condition if necessary.
- Remove any dirt collected during transport, storage or installation (particularly on the insulating materials) as described in section 7.3.1.
- Remove lifting lugs T (Figures 10/1 to 10/7).
- Check the primary and secondary connections and the protective earth conductor connection.
- Check the connection of the main earthing bar with the station earthing conductor (DIN VDE 0141).
- Remove all material residues, foreign bodies and tools from the switchgear.
- Properly refit all covers, etc., removed during assembly and testing processes.
- Connect the supply voltage (Figures 9/16b and 10/10 to 10/13) - "READY" will shine. Inputs -RL1: "Closing lock-out" and -MU³⁾: "Undervoltage release" (if applicable) must be supplied with power before the circuit-breaker can be closed.
- For this reason, an internal circuit applies a voltage of 80 V to the input -RL1 (Figure 9/16b), as soon as the storage capacitor is charged in as-delivered condition of devices with no connector wiring.
- In case this input -RL1 is being used for an interlocking with an external voltage, this internal connection to 80 V has to be removed.
- "READY" will shine even if the closing operation is blocked by inputs -RL1 or -MU³⁾.

³⁾ Full version on the control module, optional

- If no voltage is applied to input -RL1, closing is impossible.
- If no voltage is applied to input -MU³⁾, closing is impossible in case of activated -MU³⁾ and not activated closing support (Figure 9/16a).
- Check mechanical and electrical interlocks for effectiveness, without using force.
- Perform test closing and opening of the circuit-breaker by pressing push-buttons 3 and 4 (see Figure 9/17).
- On motor-driven withdrawable parts, check the direction of rotation of the travel motors as described in section 7.5.3.
- For any further questions on the functions of the withdrawable circuit-breaker part and its testing, see section 7.5.
- Instruct the local operators in the fundamental details of regular handling of the switchgear.

6.3 Earthing

For the fixed version circuit-breaker, carry out earthing by means of the special screw marked with the relative symbol. Clean and degrease the area around the screw to a diameter of about 30 mm and, on completion of assembly, cover the joint again with vaseline grease. Use a conductor (busbar or braid) with a cross-section conforming to the Standards in force.

6.4 Movement of the withdrawable breaker part (Figures 9/10, 9/17 and 9/21 to 9/23)

Perform switching operations with the front doors shut.

6.4.1 Manual insertion from the test/disconnected position to the service position

- Connect control wiring plug 36.1.
- Close the front door.
- Ensure that the circuit-breaker is in the OFF position.
- Fit hand crank 38 on square spigot 35.2 of the spindle mechanism 35.1.

Note:

In order to avoid damage to the operating mechanism, use the original hand crank only.

- Standard version without slip clutch
- Optional version with slip clutch
- Turn the crank clockwise according the table until the stop is reached and the withdrawable part 31 is in the service position.

Note:

Do not use force to move the withdrawable breaker part. Maximum torque 25 Nm!

Comply with the conditions for movement of the withdrawable part as set out in section 7.5.4!

Panel type	Number of crank turns	
	12 / 17.5 kV	24 kV
ZS1, UniSafe, UniGear type ZS1, Powerbloc and Mounting frame	20	30
ZS8.4 without tee-off partitioning	20	25
ZS8.4 with tee-off partitioning	25	25

- Observe the position indicator in the front door.
- Remove hand crank 38 by first pressing slightly against the hand crank and then remove.

Note:

When removing the crank, it is essential to ensure that the spring-loaded guide 35.6 slides into the untensioned front position. Spindle 35.1 is thus locked in place, preventing inadvertent turning of the spindle. Turning of the spindle opens auxiliary switches -BT2/-BT1 and thus prevents the circuit-breaker from being operated.

Note:

The withdrawable part must not be stopped at any position in the travel range between the service position and test/disconnected position!

6.4.2 Manual withdrawal from the service position into the test/disconnected position

- Ensure that the circuit-breaker is in the OFF position.
- Reverse the procedure described above for insertion into the service position.

Note:

Withdrawable parts with blocking magnet -RL2 may not be forcibly moved during power failures. In such a case they are blocked in the service and test positions. For deblocking, see section 7.5.4.

6.4.3 Motor-driven movement of the withdrawable part

- Briefly operate the electrical control for insertion or withdrawal (the withdrawable part then automatically moves into the opposite position).
- Observe the position indicator in the front door.

Note:

When the motor fails, the withdrawable part can be moved in emergency manual operation. If the drive motor fails during movement of the withdrawable part, the withdrawable part must be moved into a limit position in emergency manual operation.

³⁾ Full version on the control module, optional

Emergency manual operation:

Emergency manual operation is carried out with the hand crank 38 on the spindle mechanism 35.1, in a similar manner to operation of a withdrawable breaker part with manual systems:

- Turn off the supply voltage (m.c.b.), since the motor would otherwise be braked electrically.
- Turn hand crank 38 in the required direction.

When the withdrawable part moves, the motor turns. The motor functions in such a case like a generator, i.e. it can lead to reverse voltages in the terminals.

- The motor protection device must not be changed from the specified type and rated value, or the behaviour of the permanent magnet motor could be irreversibly impaired!

6.4.4 Withdrawal from the test/disconnected position onto the service truck (Figures 9/22 and 9/23)

- Open the door of the circuit-breaker compartment.
- Pull out control wiring plug 36.1 and place it in the receptacle provided.
- Position service truck 40 with the guide pins 40.2 of the adjustable bench top at the correct height facing the panel front, and allow catch 40.3 to engage.
- Move sliding handles 35.3 inwards against the springs to release withdrawable part 31, withdraw onto the service truck and secure it in the catches on the truck.
- Press the release lever (at the front underneath the bench top) and release the service truck from the panel.

6.4.5 Insertion from the service truck into the test/disconnected position

- Carry out the procedure as described above for withdrawal, changing the order accordingly.

6.5 Circuit-breaker operation

(Figures 9/17 to 9/21)

The power supply has been established when the "READY" lamp 2 lights up.

Please also note the remarks in Section 3.1.5.

1. Closing:

Remote control by applying a voltage to input -MC (see sections 10.1.1a and 6.2) or locally by pressing ON push-button 3.

2. Opening:

Remote control by applying a voltage to input -M01 (see also sections 10.1.1a and 6.2) or locally by pressing OFF push-button 4.

3. Opening in case of power failure:

- a) Opening via the remote control system or by pressing push-button 4 is initially still possible:

- up to 60 seconds for breaking currents up to 25 kA
- up to 120 seconds for breaking currents up to 31.5 kA.

- b) Manual emergency opening is possible beyond these times.

Insert emergency manual operation lever 28 into socket 8 in the front plate and turn it anti-clockwise to open the circuit-breaker.

During this the auxiliary spring 29 on the lever 28 will be charged at first. After a movement of about 65° to 70° a resistance must be overcome which is generated from the removal of the armature in the actuator. Then the circuit-breaker is switched off. A further rotation will be a free movement.

- c) On power failure and after expiry of the times stated under 3a), the circuit-breaker remains in its current position. If an automatic switch-off is desired immediately on expiry of the times stated under 3a), this behaviour can be effected by activating DIP switch I 1004/1 (see figure 9/16a, "AUTO-OFF on declining capacitor voltage").

4. Closing on failure of the supply voltage:

Closing is not appropriate and not possible.

5. Operating cycle and position indicators on the switching device:

After each operating cycle (ON-OFF), the operating cycle counter 5 is incremented by one full digit.

On termination of a switching operation, the position indicator 6 displays the relevant switch position.

6. Anti-pumping system:

- The circuit-breaker controller ensures that closing of the circuit-breaker is blocked when an opening command is active.
- When closing on a subsequent opening command, further closing with the still active closing command is blocked. The closing command must be issued again for the next closing operation.

7 Maintenance

Maintenance serves to preserve trouble-free operation and achieve the longest possible working life of the switchgear. In accordance with DIN 31 051 and IEC 61208, it comprises the following closely related activities:

Inspection: Determination of the actual condition

Servicing: Preservation of a functional condition

Repair: Measures to restore the functional condition

7.1 General

All VM1 vacuum circuit-breakers are characterised by a simple and robust construction. They have a long life expectancy. There is no adverse effect on the vacuum, even from frequent switching of operating and short-circuit currents.

The typical life expectancy of a VM1 vacuum circuit-breaker is determined by:

- Maintenance-free, potted vacuum interrupters for up to 30,000 mechanical operating cycles.
- Magnetic actuator mechanism, maintenance-free under normal service conditions:
 - up to 100,000 operating cycles for all breakers with a breaking current ≤ 25 kA and a rated current ≤ 1250 A,
 - up to 50,000 operating cycles for all breakers with a rated current of ≥ 1600 A,
 - up to 50,000 operating cycles for all breakers with a breaking current ≥ 31.5 kA.
- Maintenance-free control module with sensors and without auxiliary switches.
- Auxiliary switch ON/OFF position signalization (optional) up to 30,000 switching cycles.
- Withdrawable part: With careful operation and appropriately performed inspection work, up to 1000 movement operations can be achieved.
See also IEC 60298.

Concerning detailed information about the maintenance of the VM1 circuit-breaker please contact the ABB service.

The service life data fundamentally apply to all components which are not directly influenced by the operator.

Components operated manually (movement of the withdrawable part, etc.) may deviate, depending on how they are handled.

The servicing intervals and scope are determined by the environmental influences, the switching frequency and the number of short-circuit breaking operations.

Note:

The following must be observed for all maintenance work:

- The relevant specifications in section 1.2.2.
- Notes on safety at work in section 6.1
- Standards and specifications in the country of installation.



Maintenance work may only be performed by fully trained personnel, observing all the relevant safety regulations. It is recommended that ABB after-sales service personnel should be called in, at least during the performance of servicing and repair work.

While the work is in progress, and if the work permits, all supply voltage sources must also be disconnected and secured to prevent re-connection.

Note:

In order to prevent accidents (particularly injury to hands!) extreme care should be taken during all repair work on the operating mechanism, especially with front plate 1.1 removed.

The energy of the storage capacitor can be released uncontrollably during incorrect handling!

Procedure for capacitor discharge:

1. Switch circuit-breaker on.
2. Switch supply voltage off (m.c.b.).
3. Switch circuit-breaker by pressing push-buttons 3 and 4 with cycle: OFF/ON/OFF.

The "READY" lamp will go out when this switching cycle is completed, i.e., the switch is no longer ready for switching operations.
4. After the following waiting times the storage capacitor will have discharged down to lower than 15 V:
 - after approx. 4 minutes for breaking currents up to 25 kA
 - after approx. 8 minutes for breaking currents of 31.5 kA and above.

Where appropriate in individual cases, further information can be found in the technical documentation appurtenant to the switchgear system (e.g. agreed special operating conditions) in addition to this operating manual.

7.2 Inspection and functional testing

7.2.1 Circuit-breaker in general

- Under normal operating conditions, inspection within the stated number of operating cycles is not necessary.
- Inspection may be necessary under exceptional operating conditions (including adverse climatic conditions) and/or particular environmental stresses (e.g. serious contamination and aggressive air).
- The inspection primarily comprises visual examination for contamination, corrosion, moisture and discharge phenomena on the high voltage side.
If an irregular condition is found, appropriate maintenance work is to be initiated.
- No external discharge may occur on the surfaces of equipment at operating voltage. This can, for example, be detected by characteristic noises, a clearly perceptible smell of ozone, or visible glowing in the dark.
- If irregular conditions are detected, then corresponding repair measures should be initiated.

7.2.2 Magnetic actuator operating mechanism (Figures 9/17 and 9/26)

A first functional test of the operating mechanism is to be performed:

- after the stated number of operating cycles, or
- during maintenance work as described in section 7.2.1.

Before the functional test, open the circuit-breaker and

- move it into the test position (withdrawable breaker) or
- isolate and secure the working area in accordance with the Safety Regulations to DIN VDE / IEC (with stationary mounted breakers).
- Observe the procedure for capacitor discharge as set down in section 7.1.
- Perform visual examination of the condition (removing front plate 1.1), e.g.:
 - the lubrication at the rotary bearings,
 - the operating cycle counter,
 - the sensor mounting,
 - the position indicator.

Scope of functional testing:

- Connect the supply voltage.
- Perform several switching operations under no load. This is predominantly applicable to circuit-breakers which are rarely operated under normal circumstances.

To check the storage capacitor, switch the circuit-breaker rapidly OFF-ON-OFF once, pressing push-buttons 3 and 4 rapidly in succession.

- The LEDs on the inductive proximity switches 15 and 16 are activated when the circuit-breaker has reached its OFF and ON limit positions.

7.2.3 Withdrawable part

- The inspection should always include a visual examination of the withdrawable part assembly. Special attention is to be paid to those parts which may possibly be damaged by improper handling.
- Perform a visual check on the condition of the isolating contact system. It is recommended that the contact system be turned alternately so that its inner contact points can be cleaned.
If there are signs of impermissible overheating (discoloured surface), the contact points are to be cleaned (see the section on repairs).
- The interlock conditions and the ease of movement of the withdrawable assembly are to be checked as described under "Repair".
When checking the interlock conditions, it is essential to ensure that no force is used.

Maximum torque 25 Nm!

7.3 Servicing

7.3.1 Circuit-breaker in general

If the necessity of cleaning is established during inspections as described in 7.2.1, the following procedure is to be adopted:

- Prior to cleaning, isolate and secure the working area if necessary in accordance with the safety regulations of DIN VDE and IEC.
- Observe the procedure for capacitor discharge as set down in section 7.1.
- Cleaning of surfaces in general:
 - Remove weakly adhering dry dust deposits with a soft dry cloth.
 - Remove more strongly adhering dirt with a slightly alkaline household cleanser, or with Rivolta BWR 210.
- Cleaning of insulating material surfaces and conductive parts:
 - Minor contamination: with Rivolta BWR 210.
 - Strongly adhering contamination: with cold cleanser 716

After cleaning, wipe down with clean water and dry carefully.

- Observe the manufacturer's instructions and the special ABB instruction manuals BA 1002/E or BA 1006/E on safety at work.

Note:

Use only halogen-free cleaning agents. Never use 1.1.1-trichloroethane, trichloroethylene or carbon tetrachloride!

7.3.2 Magnetic actuator operating mechanism

The magnetic actuator mechanism is maintenance-free up to the number of operating cycles stated in section 7.1.

7.3.3 Breaker pole

The breaker pole with the vacuum interrupter is maintenance-free up to the permissible number of operating cycles as sent down in section 10.1.3.

The working life of the vacuum interrupter is defined by the sum current limit corresponding to the equipment data in individual cases in accordance with section 10.1.3:

- When the sum current limit is reached, the complete breaker poles are to be replaced.

Note:

Dismantling and replacement of the breaker poles should only be performed by the ABB after-sales service or adequately trained specialist staff, in particular with regard to the necessity for precise setting.

The following equipment, for example, can be used to check the vacuum (without dismantling the circuit-breaker):

VIDAR vacuum tester,
from Programma Electric GmbH
Bad Homburg v.d.H. Germany

The following test values have to be set for checking of the internal interrupter chamber pressure with the VIDAR vacuum tester:

Rated voltage of the circuit-breaker	DC test voltage
12 kV	40 kV
17.5 kV	40 kV
24 kV	60 kV

Testing is to be performed at the rated contact distance in the OFF condition.

Procedure for vacuum interrupter testing for stationary mounted switching devices:

- Isolate and secure the working area in accordance with the Safety Regulations to DIN VDE / IEC.
- Open the VM1 circuit-breaker.
- Earth all poles of the VM1 circuit-breaker on one side.
- Connect the earthed test lead of the VIDAR vacuum tester conductively to the station earth.
- Connect the high voltage test lead of the VIDAR vacuum tester with phase L1 of the unearthed pole side and test the vacuum interrupter chamber with the circuit-breaker contact gap open. Repeat for phases L2 and L3.

Note:

Connected cables may lead to a "defective" indication on the vacuum tester as a result of their cable capacitance. In such cases, the cables are to be removed.

7.4 Repair

7.4.1 Repair of surface damage:

Circuit-breaker part in general

Sheet steel parts, painted:

- Remove rust, e.g. with a wire brush.
- Grind off paint coat and degrease.
- Apply anti-rust primer and top coat.
- Use a top coat in the standard colour RAL 7035 or the relevant special colour.

Sheet steel parts with aluminium-zinc surfaces and chromated functional parts:

- Remove white rust, with a wire brush or cleaning pad (e.g. Scotch-Brite, white).
- Remove loosely adhering particles with a dry cloth.
- Apply zinc spray or zinc dust primer.

Functional parts, phosphated:

- Remove rust, with a wire brush or cleaning pad (e.g. Scotch-Brite, white).
- Clean with a dry cloth.
- Grease with Isoflex Topas NB 52 lubricant.

Withdrawable circuit-breaker part in general:

- Where required, regrease or thoroughly clean slide plates and bearings in the panel and regrease them with Isoflex NB 52 lubricant.

Remove the contact system for thoroughly cleaning as described below (Figures 9/24 and 9/25):

- Slide the two inner annular tension springs 34.2 facing the breaker pole to a position beside the other two outer annular tension springs, thus releasing contact system 34.1, and remove the contact system from contact arm 34.
- The contact pin of the contact system and the slot on the contact arm are to be cleaned and greased.
- Fit the contact system back to front on the thin end of arbor 39, and slide it forwards onto the thicker part of the shank.
- Fit arbor 39 onto the relevant contact arm 34, slide the contact system 34.1 over onto the contact arm, and withdraw the arbor.
- Check all contact fingers and annular tension springs for perfect fit.

Note:

The set installation position of contact arms 34 must not be changed by the improper use of force.

7.4.2 Replacement of components

- Only remove and reassemble circuit-breaker parts and accessories when the breaker has been switched off and the working area is to be isolated and secured against reclosing.
- All supply voltage sources must be disconnected and secured to prevent reconnection during the removal and installation work.
- The storage capacitor is to be discharged in accordance with the instructions in section 7.1.

1. Circuit-breaker control unit:

Replacement of the circuit-breaker control unit may only be performed by ABB after-sales service staff or specially trained skilled personnel. Reason: the internal sequence times for the control unit are set by jumpers on each control unit.

2. Withdrawable assembly:

(Figures 9/8, 9/10, 9/27 and 9/28)

- Disconnect plug connector 37.
- For motorized withdrawable assemblies, remove the two socket head bolts (M4) which are accessible from below the assembly.
- Unbolt the circuit-breaker from the withdrawable assembly (4 x M12 bolts).
- Mount the circuit-breaker on a new withdrawable assembly in the reverse order.
- Check the settings of the slide blocker 41.2:
 - The circuit-breaker is in the ON position.
 - The distance between pawl 35.5 on the withdrawable assembly and slide blocker 41.2 must be $0.1^{+0.4}$ mm. If a correction is necessary, the screw 41.5 has to be released and the slide blocker 41.2 has to be adjusted by a feeler gauge. Thereafter the screw must be fixed again.

7.5 Tests on withdrawable parts with VM1 type circuit-breakers

The following conditions are to be checked to test the function of the withdrawable part.

7.5.1 Motor-driven withdrawable parts (non-standard)

Inspection of motor-driven withdrawable parts should be performed as for manually operated withdrawable parts in accordance with Section 7.5.2:

- Turn off the supply voltage (m.c.b.), since the motor could otherwise be braked electrically.
- Turn hand crank 38 in the required direction (see Figure 9/21).

Note:

When the withdrawable part moves, the motor turns. The motor functions in such a case like a generator, i.e. it can lead to reverse voltages in the terminals.

7.5.2 Checking the auxiliary switch settings on withdrawable parts (Figures 9/10 and 9/21)

Compliance with the interlock conditions in the test/disconnected and service position areas is ensured by position signalling switches -BT2 and -BT1 located in the withdrawable assembly and factory-set.

In test operations, the withdrawable part must be moved by hand with the crank fitted with the motor power switched off.

1. Settings in the area of the test/disconnected position:

- Move the withdrawable part out of the test/disconnected position towards the service position with a few turns of the crank.
- Slowly move the withdrawable part back to the stop.
 - Auxiliary switch -BT2 must then switch over just before the stop is reached.
- Slowly insert the withdrawable part from the test/disconnected position towards the service position until auxiliary switch -BT2 just operates (approx. 30° rotation of the crank).
 - It is no longer possible to switch the circuit-breaker on in this position.
 - When the hand crank is turned further, the position of the circuit-breaker is polled by pawl 35.5 after a total angle of turn of approx. 90°. If the circuit-breaker is closed, the withdrawable part cannot be moved any further.
- For this test, the function of the blocking magnet -RL2 (if fitted) must be disabled manually.

2. Settings in the area of the service position:

- Move the withdrawable part out of the limit position towards the test/disconnected position with a few turns of the crank.
- Slowly move the withdrawable part forwards again to the stop:
 - Auxiliary switch -BT1 must then switch over just before the stop is reached.
- Slowly move the withdrawable part out of the service position towards the test/disconnected position until auxiliary switch -BT1 just responds (approx. 30° rotation of the crank).
 - When the hand crank is turned further, the position of the circuit-breaker is polled by pawl 35.5 after a total angle of turn of approx. 90°. If the circuit-breaker is closed, the withdrawable part cannot be moved any further.

7.5.3 Checking the direction of rotation of the travel motors on motor-driven withdrawable parts

- Move the withdrawable part by hand into a central position between the test/disconnected position and the service position.
- Remove the hand crank.
- Switch the supply voltage for the travel motor on.
- Use the local electrical controls to check that the withdrawable part moves in the correct direction.

Caution:

Do not allow the withdrawable part to run up against a block when the travel direction is incorrect! Switch the motor power off immediately (the travel process functions electrically by a seal-in system with limit position switch-off).



There may be a danger of injury when the door is open!

7.5.4 Checking of interlock conditions (Figures 9/17 and 9/21)

1. The withdrawable part must only be movable from the test/disconnected position into the service position when the circuit-breaker is open .

Check this condition as follows:

- With the circuit-breaker closed, insertion of the withdrawable part towards the service position must be blocked after only half a turn of the crank in the clockwise direction, and the travel motor on motor-operated withdrawable parts must not be capable of being switched on.

Do not use force – max. torque 25 Nm!

2. The withdrawable part must only be movable from the service position into the test/disconnected position with the circuit-breaker open.

Check this condition as follows:

- With the circuit-breaker closed, withdrawal movement of the withdrawable part must be blocked after only half a turn of the crank in the anti-clockwise direction, and the travel motor on motor-operated withdrawable parts must not be capable of being switched on.

3. Closing of the circuit-breaker must only be possible when the withdrawable part is in the defined test/disconnected position or service position.

The control wiring plug 36.1 must previously have been inserted.

Check this condition as follows:

- It must not be possible to close the circuit-breaker with the withdrawable part in any position between the test/disconnected position and the service position.
- Readiness for switching is established electrically when the service position is reached by auxiliary switch -BT1 in the withdrawable assembly switching over.
- For motion into the test/disconnected position, the same enabling conditions apply analogously, in this case by means of auxiliary switch -BT2 in the withdrawable assembly.

4. After failure of the power supply, the circuit-breaker may only be operated manually in the service position or in the test/disconnected position:

a) Initially by pressing the OFF push-button 4, for

- up to 60 seconds for breaking currents up to 25 kA.
- up to 120 seconds for breaking currents up to 31.5 kA.

b) Manual emergency off switching using operating lever 28 is possible beyond these times.

5. Withdrawable parts with order-related blocking magnet -RL2 may not be moved in case of control power failure, or when there is no control power. Do not forcibly move blocked withdrawable parts! The blocking magnet -RL2 is only present on manually operated withdrawable parts (Figure 9/28).

Releasing the blocking magnet -RL2:

- Remove front plate 1.1,
- Disengage blocking magnet -RL2 by pulling the magnet armature,
- While doing so, turn crank 38 about one half turn (either direction of rotation is permissible).
- The blocking magnet is only active in the test position and service position. In intermediate positions it has no effect.

7.6 Spare parts, auxiliary materials, lubricants

7.6.1 Spare parts

When parts are required, the serial number of the relevant withdrawable breaker part or circuit-breaker should always be quoted. Setting instructions are to be requested separately.

Withdrawable assembly of VM1:

- Manually movable withdrawable assembly :
See Drawing GCE 7003570, Sheets 1 and 2, for notes for setting of auxiliary switches -BT2/-BT1 and slide blocker.
- Motor-driven withdrawable parts:
For notes on settings see drawing GCE 7003571
- Blocking magnet -RL2:
For notes on settings see drawing GCE 7003820, sheet 1 (table 2)

7.6.2 Auxiliary materials and lubricants

Designation

Part no.
(order code)

Lubricant:

- Isoflex Topas NB 52 GCE0007249P0100

Halogen-free cleansers:

- Rivolta BWR 210 GCE0007707P0100
(for general cleaning)
- ABB Instruction manual
BA 1002/E GCEA901002P0102

- Cold cleanser 716 GCE0007706P0100
(for use with conductive components,
components of insulating materials
and in case of serious grime!)
- ABB Instruction manual
BA 1006/E GCEA901006P0102

Paint:

- Touch-up paint:
Standard colour RAL 7035
- 1 kg-box GCE9014060R0103
- Spray tin GCE0007895P0100

Table: VM1 withdrawable part

Designation	Item no.	Rated supply voltage	Part no. (order code)
Auxiliary switch for manually operated mechanism - contacts silver plated - contacts gold plated	-BT2 / -BT1		GCE7004024R0101 GCE7004024R0103
Auxiliary switches for motor-operated driving mechanism - contacts silver plated - contacts gold plated	-BT2 / -BT1		GCE7004024R0102 GCE7004024R0104
Blocking magnet	-RL2	24 V 30 V 48 V 60 V 110 V 125 V 220 V	GCE7003820R0101 GCE7003820R0102 GCE7003820R0103 GCE7003820R0104 GCE7003820R0105 GCE7003820R0107 GCE7003820R0106
Motor with gearbox	-M1	24 V 30 V 48 V 60 V 110 V ... 125 V 220 V	GCE0940150R0111 GCE0940150R0112 GCE0940150R0113 GCE0940150R0114 GCE0940150R0115 GCE0940150R0116

Table: VM1 type circuit-breaker

Designation	Item no.	Part no. (order code)
Auxiliary switch for ON/OFF position signalization - Silver-plated contacts - Gold-plated contacts	-BB1 / -BB3	GCE7002397R0119 GCE7002397R0125

Designation	Rated supply voltage-	Part no. (order code)	up to 40 kA	50 kA
Breaker controller Power pack A - Standardversion - Fullversion	- 24 V ... 48 V AC - 24 V ... 60 V DC	GCE7004902 GCE7004902	R0120 R0126	R0126
Breaker controller Power pack B - Standardversion - Fullversion	- 100 V ... 240 V AC - 110 V ... 240 V DC	GCE7004902 GCE7004902	R0121 R0127	R0127

8 Application of the X-ray regulations

One of the physical properties of vacuum insulation is the possibility of X-ray emissions when the contact gap is open. The specified test performed by the Physikalisch-Technische Bundesanstalt (PTB) in Braunschweig demonstrates that the local dosage output of 1 $\mu\text{Sv/h}$ at a distance of 10 cm from the touchable surface is not exceeded when the rated voltage is applied.

The results are as follows:

- Testing of the switching device or the vacuum interrupter to VDE 0671 part 100 or IEC 62271-100 at the relevant rated power frequency withstand voltage may only be performed by trained personnel observing the stipulations of the EU basic standard (Stipulation 96/29/Euratom of the senate from 13 May 1996 (ABI.L 159 from 29 June 1996)).
- Application of the rated voltage specified for the switching device by VDE 0671 part 100 or IEC 62271-100 is completely safe.
- Higher voltages than the rated voltage or DC test voltage specified in VDE or IEC standards must not be applied!
- The containment of the above mentioned local dosage output with the vacuum interrupter in the open position is dependent on maintenance of the specified distance between the contacts (which is automatically ensured with correct mechanism function and force transmission).
- Safety clearances must be maintained.



Figure 9/1: Vacuum circuit-breaker, type VM1, high-current, for fixed installation, 12 kV, 1600...2000 A, 40 kA, mechanism side.



Figure 9/2: Vacuum circuit-breaker, type VM1, high-current, for fixed installation, 12 kV, 1600...2000 A, 40 kA, pole side.



Figure 9/3: Vacuum circuit-breaker, type VM1, on withdrawable part, 24 kV, 1250 A, ≤ 25 kA, mechanism side (use in ZS8.4 only).

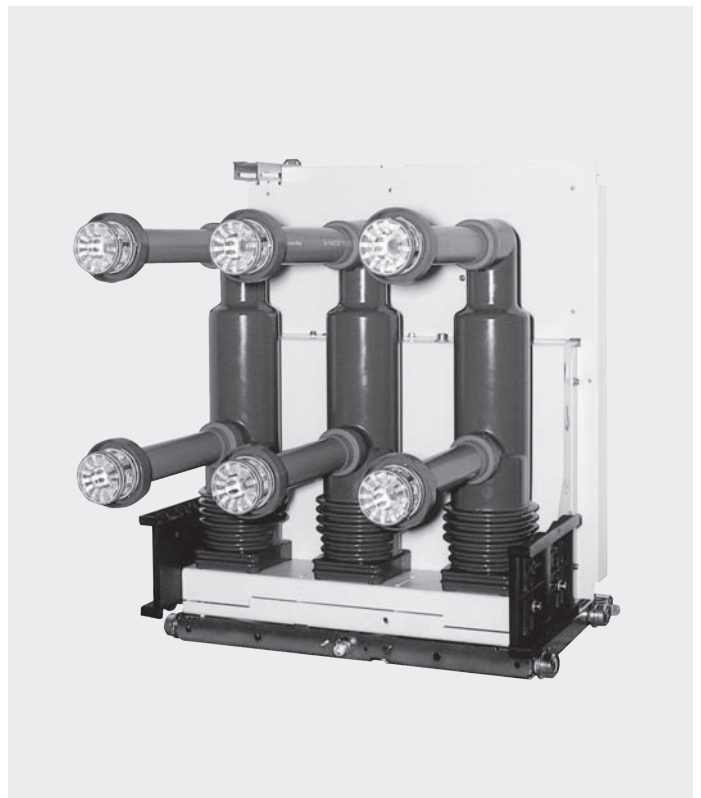


Figure 9/4: Vacuum circuit-breaker, type VM1, on withdrawable part, 24 kV, 1250 A, ≤ 25 kA, pole side (use in ZS8.4 only).



Figure 9/5: Vacuum circuit-breaker type VM1, high current, on withdrawable part, 12 kV, 3150 A, 50 kA, mechanism side.



Figure 9/6: Vacuum circuit-breaker type VM1, high current, on withdrawable part, 12 kV, 3150 A, 50 kA, pole side.

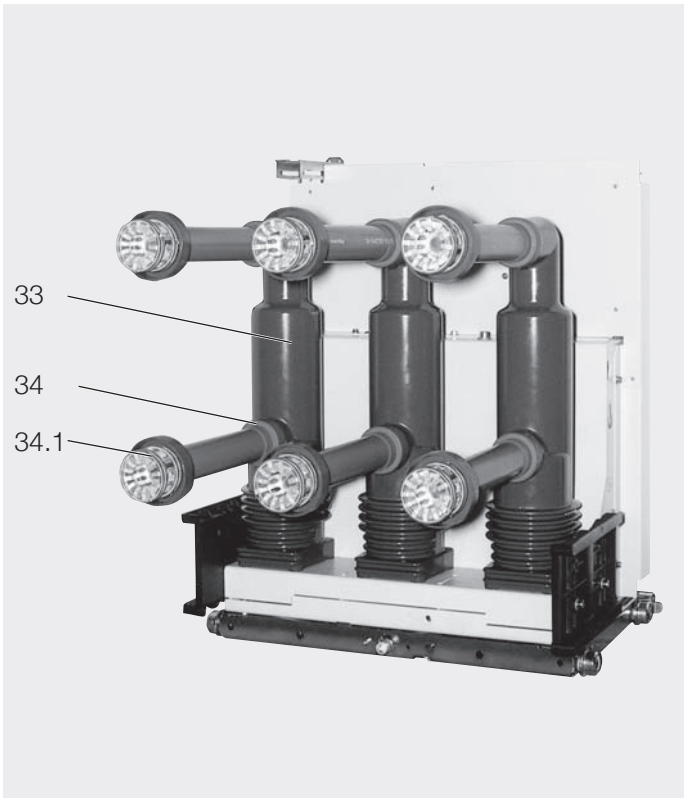


Figure 9/7: Vacuum circuit-breaker, type VM1, on withdrawable part, 24 kV, 1250 A, ≤ 25 kA, pole side (use in ZS8.4 only).

- 33 Breaker pole
- 34 Contact arm with shrink sleeve (versions for rated currents up to 630 A have insulating tubes)
- 34.1 Contact system



Figure 9/8: Vacuum circuit-breaker, type VM1, on withdrawable part, 24 kV, 1250 A, ≤ 25 kA, mechanism side (use in ZS8.4 only).

- 35 Withdrawable assembly
- 36.1 Control wiring plug

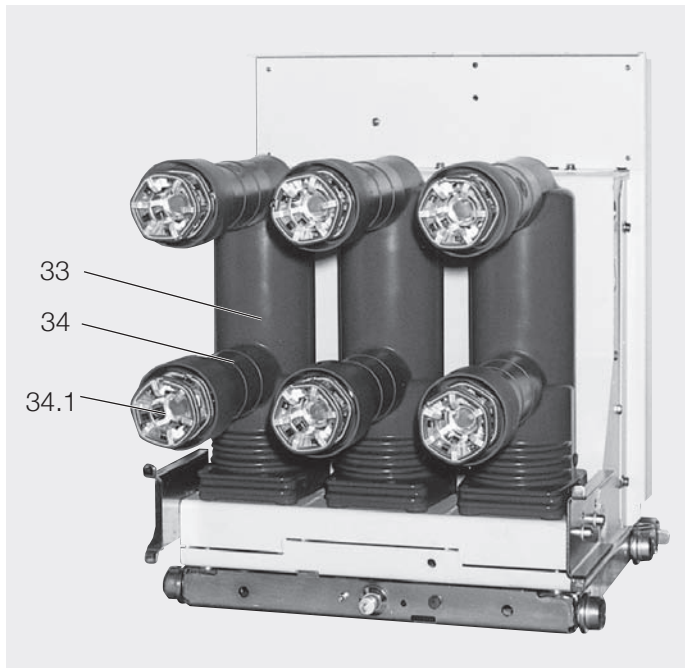


Figure 9/9: Vacuum circuit-breaker, type VM1, on withdrawable part, 12 kV, 630 A, ≤ 31.5 kA, pole side (use in ZS8.4 only).

- 33 Breaker pole
- 34 Contact arm with insulating tube
(versions for rated currents to 1250 A and above have shrink sleeves)
- 34.1 Contact system

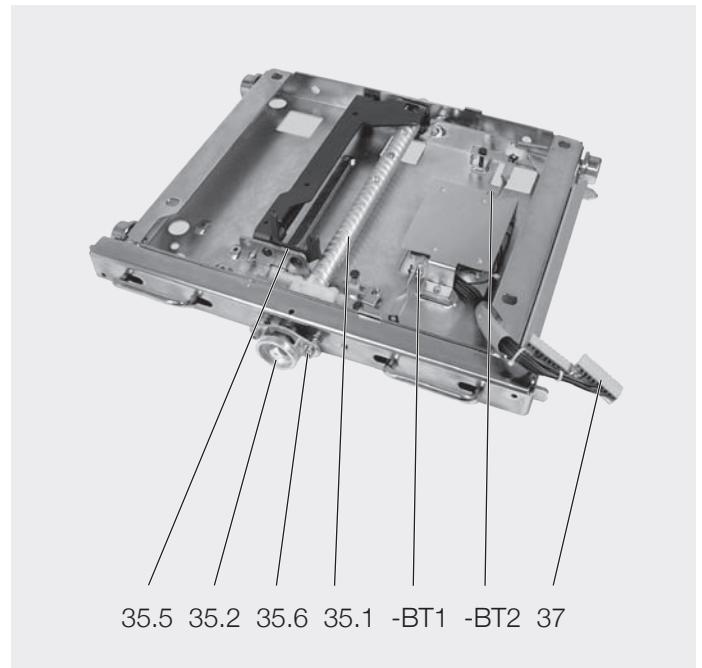


Figure 9/10: Withdrawable part with built-in auxiliary switch.

- BT2 Test position indicator
- BT1 Service position indicator
- 35.1 Spindle mechanism
- 35.2 Square spigot
- 35.5 Pawl
- 35.6 Scene head on spindle
- 37 Control wiring plug connector for withdrawable assembly

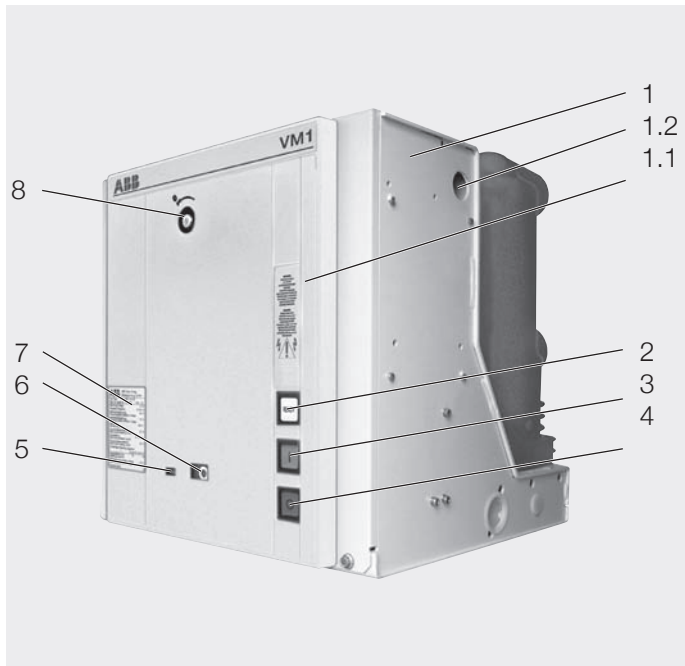


Figure 9/11: Circuit-breaker front with controls and annunciations.

- 1 Mechanism enclosure
- 1.1 Front plate
- 1.2 Bore for handling, both sides
- 2 "READY" lamp
- 3 ON push-button
- 4 OFF push-button
- 5 Mechanical operating cycle counter
- 6 Mechanical position indicator
- 7 Rating plate
- 8 Socket for emergency manual operation lever

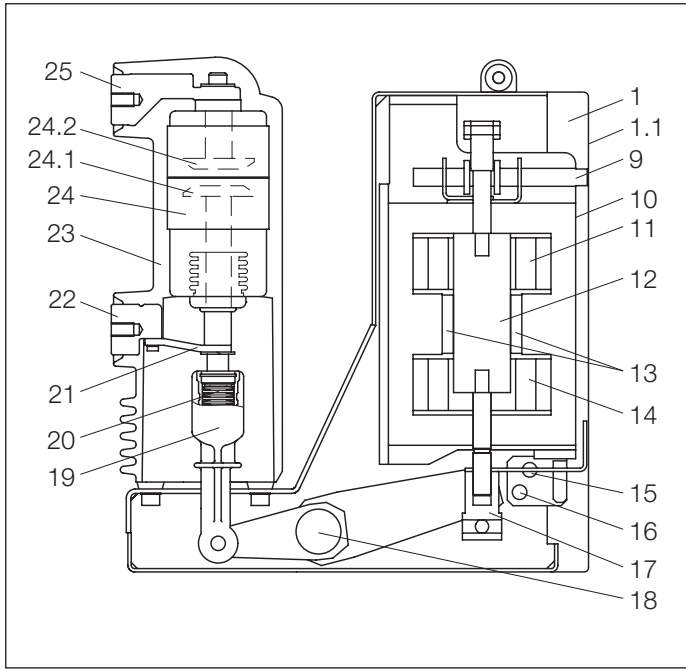


Figure 9/12: Sectional view of a vacuum circuit-breaker type VM1, schematic diagram.

- 1 Mechanism enclosure
- 1.1 Front plate, removable
- 9 Emergency manual opening mechanism
- 10 Magnetic actuator
- 11 OFF coil
- 12 Magnet armature
- 13 Permanent magnets
- 14 ON coil
- 15 Sensor -BOA for "circuit-breaker OFF" signal
- 16 Sensor -BOE for "circuit-breaker ON" signal
- 17 Travel adjuster
- 18 Lever shaft
- 19 Insulated link rod
- 20 Contact force spring
- 21 Flexible connector
- 22 Lower breaker terminal
- 23 Cast insulation
- 24 Vacuum interrupter
- 24.1 Moving contact
- 24.2 Fixed contact
- 25 Upper breaker terminal

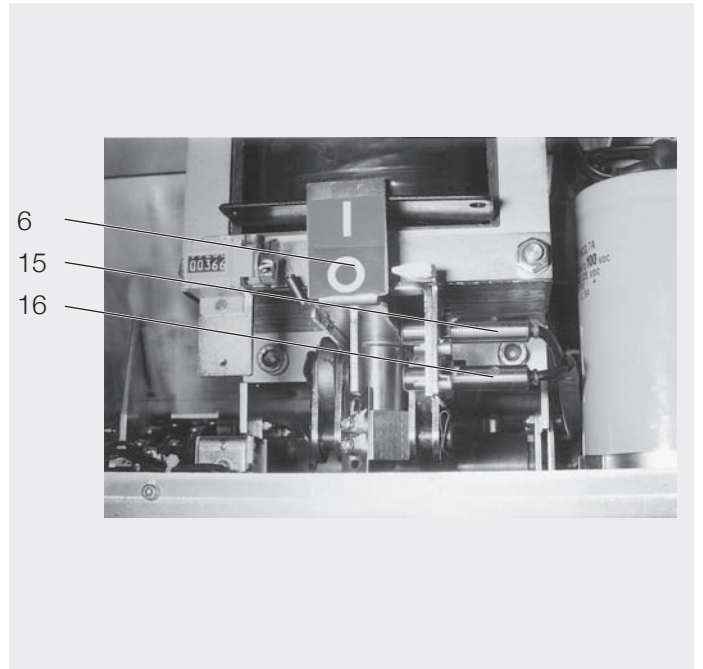
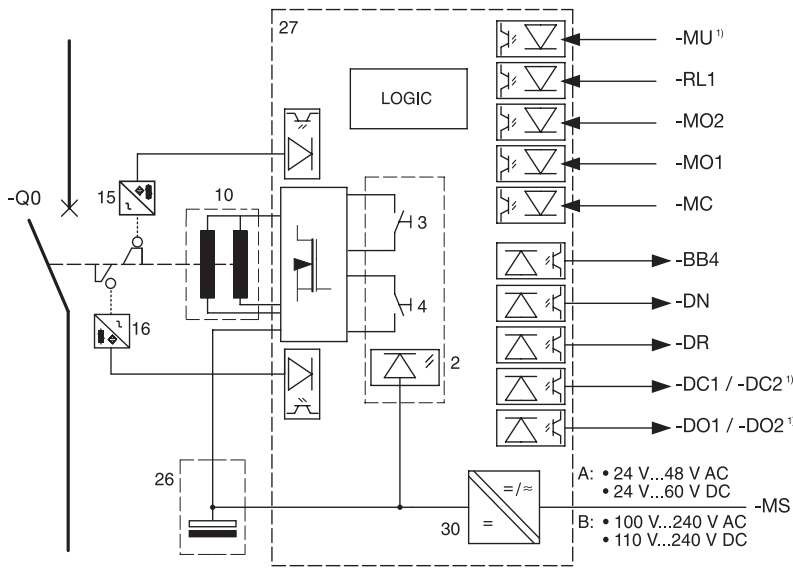


Figure 9/13: Position indicator.

- 6 Mechanical position indicator
- 15 Sensor -BOA for "circuit-breaker OFF" signal
- 16 Sensor -BOE for "circuit-breaker ON" signal



External circuit-breaker connection:

Inputs:

- MU¹⁾ Undervoltage release (closed circuit)
- RL1 Closing lock-out (closed circuit)
- MO2 Switching command OFF 2 (open circuit)
- MO1 Switching command OFF 1 (open circuit)
- MC Switching command ON (open circuit)
- MS Supply voltage

Outputs:

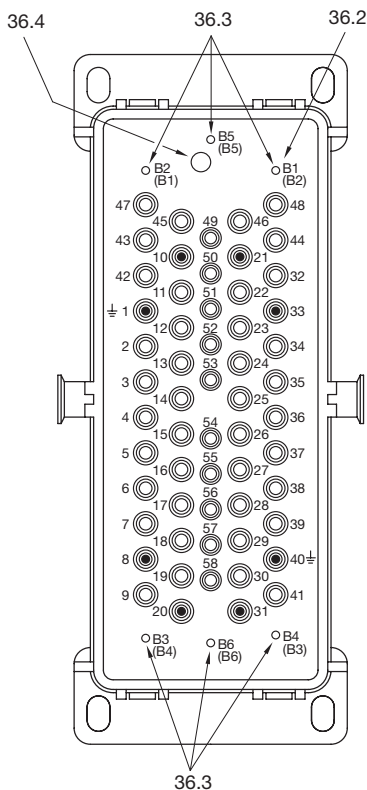
- BB4 Fleeting contact (100 ms)
- DN NOT READY (NCC)
- DR READY (NOC)
- DC2¹⁾ ON signal 2 (NOC)
- DO2¹⁾ OFF signal 2 (NOC)
- DC1 ON signal 1 (NOC)
- DO1 OFF signal 1 (NOC)

¹⁾ -MU, -DO2 and -DC2 only fitted in the full version

Figure 9/14: Block diagram of the magnetic actuator mechanism.

- 2 "READY" lamp (LED)
- 3 ON push-button
- 4 OFF push-button
- 10 Actuator
- 15 Sensor for "circuit-breaker OFF" signal
- 16 Sensor for "circuit-breaker ON" signal
- 26 Storage capacitor
- 27 Circuit-breaker control unit
- 30 Converter for operation with AC or DC voltage
- Q0 Circuit-breaker

See page 52 for comparison of IEC/VDE designations.



Coding:

(...) In brackets is stated the corresponding coding designation for the control wiring plug (10.2)

The coding pins can be fitted in the control wiring socket (10.1) and/or in the control wiring plug. (10.2)

Basic design:

Number of sockets optional but always with the basic assignment: 1, 8, 10, 20, 21, 31, 33, 40.

Sockets and pins can be mixed in the control wiring socket (10.1) and control wiring plug (10.2) as required

Control wiring socket	Code	B1	B2	B3	B4	B5	B6
Pin			X		X		
Hole							
Control wiring plug	Code	B1	B2	B3	B4	B5*	B6
Hole		X		X			
Pin							
Code		B1	B2	B3	B4	B5*	B6

*B5 is used in special cases only

Figure 9/15: Possible encoding of the control wiring plug connector of a 58-pin control wiring socket.

- 36.2 Control wiring socket
- 36.3 Centres for coding pins and bores
- 36.4 Bore for the actuating pin on the control wiring plug for controlling the auxiliary switch.

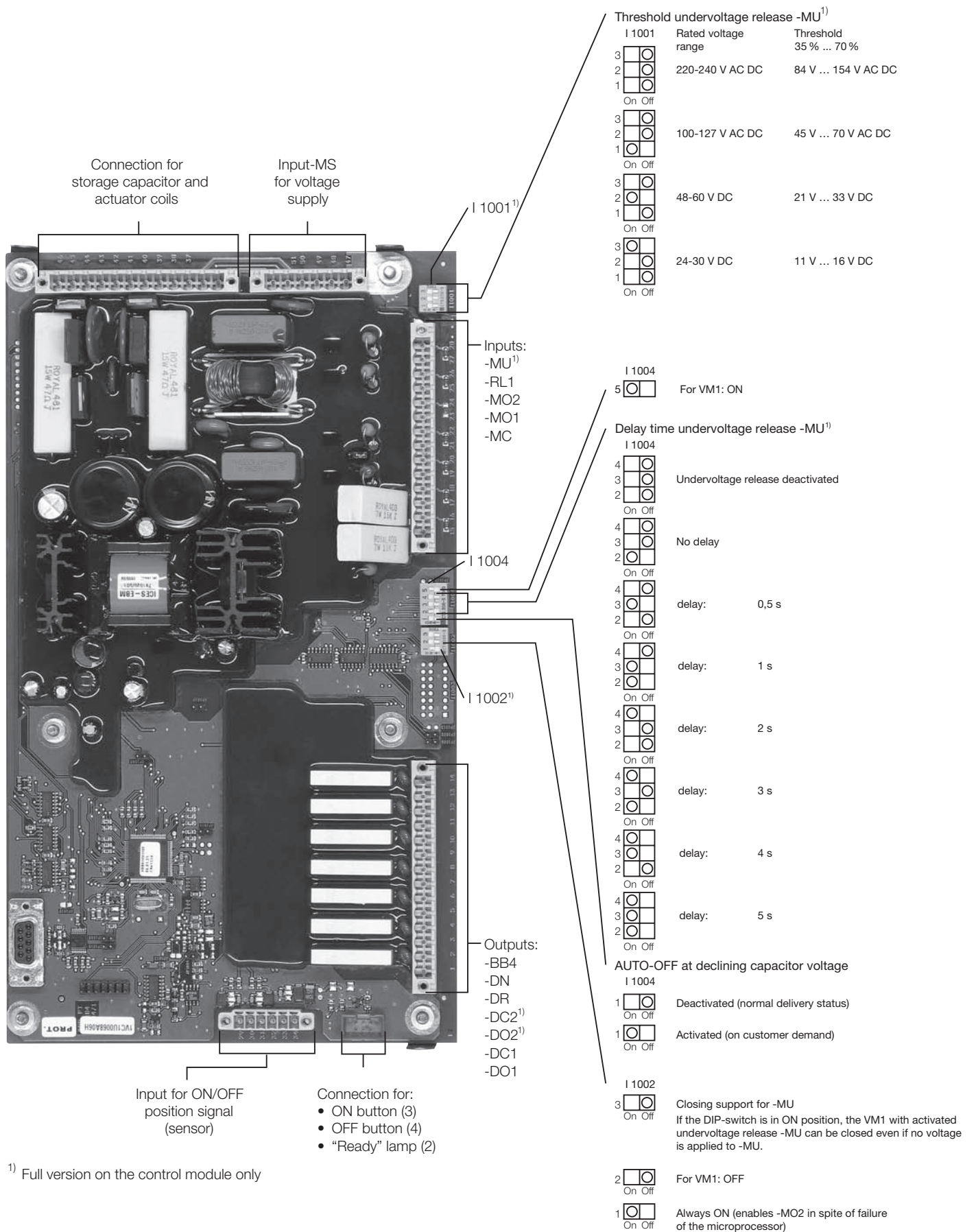


Figure 9/16a: Circuit-breaker controller

Note

Some changes to the settings of the DIP-switches require a discharge of the storage capacitor (section 7.1) to become effective.

See page 52 for comparison of IEC/VDE designations.

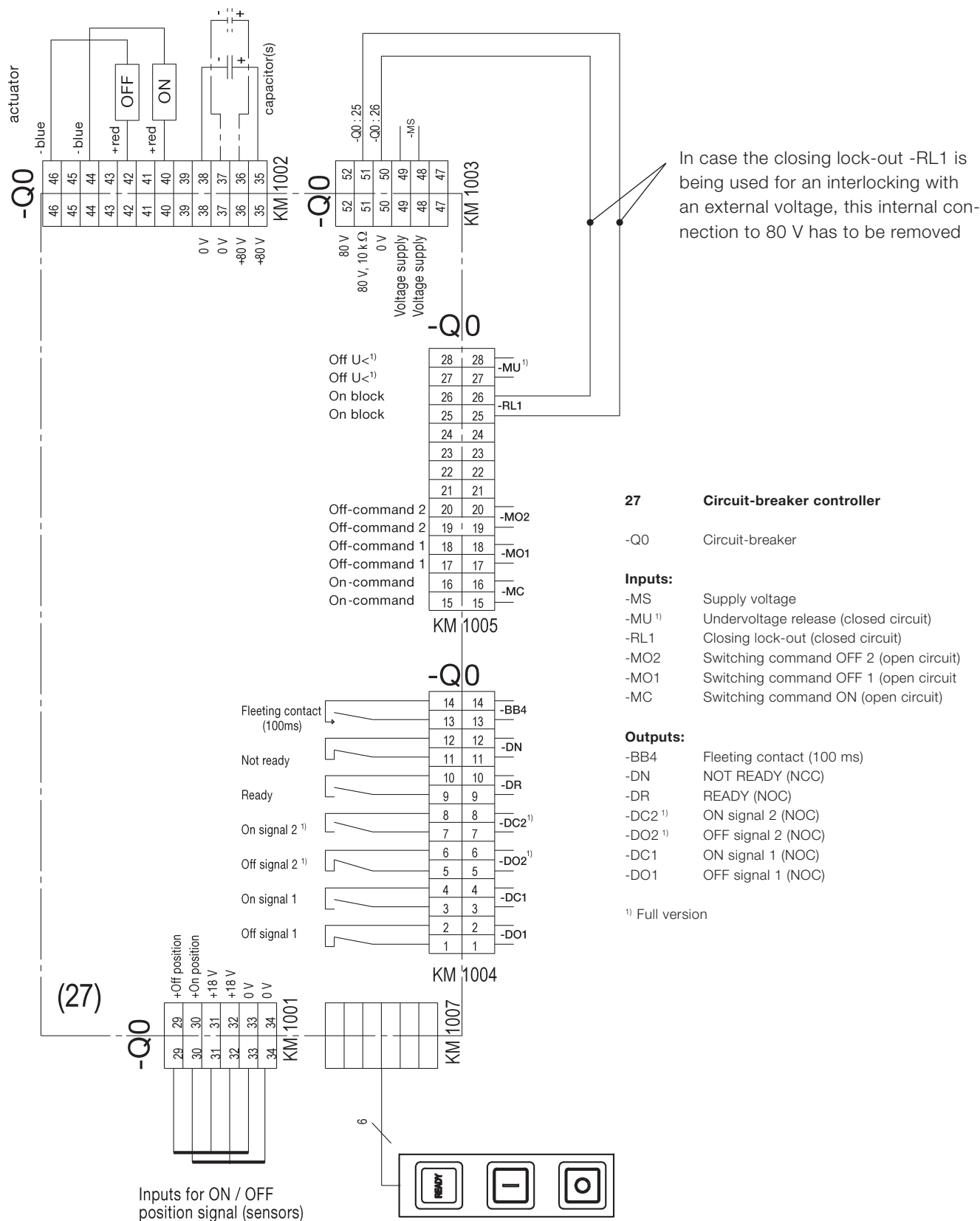


Figure 9/16b: Terminal diagram for circuit-breaker for fixed installation (without plug wiring)

See page 52 for comparison of IEC/VDE designations.

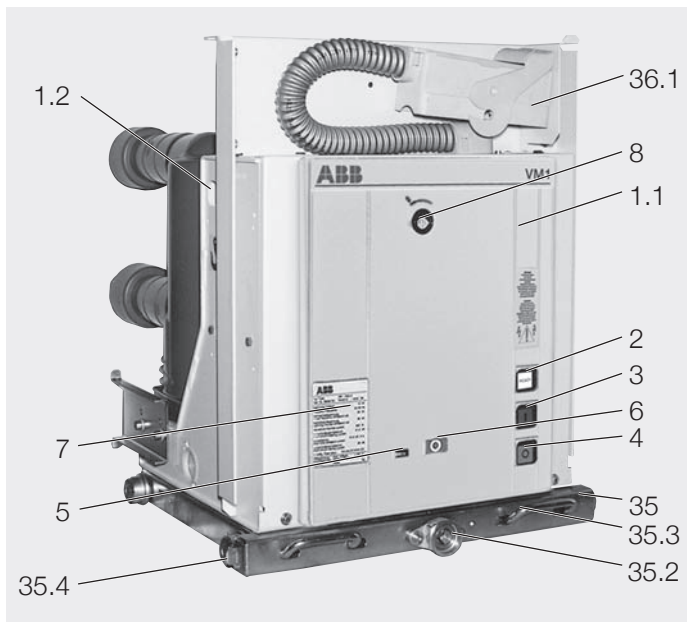


Figure 9/17: Front of circuit-breaker with indicators and controls.

- 1.1 Front plate
- 1.2 Bore for handling, both sides
- 2 „READY“ lamp
- 3 ON push-button
- 4 OFF push-button
- 5 Mechanical operating cycle counter
- 6 Mechanical position indicator
- 7 Rating plate
- 8 Recess for emergency manual opening lever
- 35 Withdrawable assembly
- 35.2 Square spigot for hand crank 38
- 35.3 Sliding handle
- 35.4 Catch
- 36.1 Control wiring plug

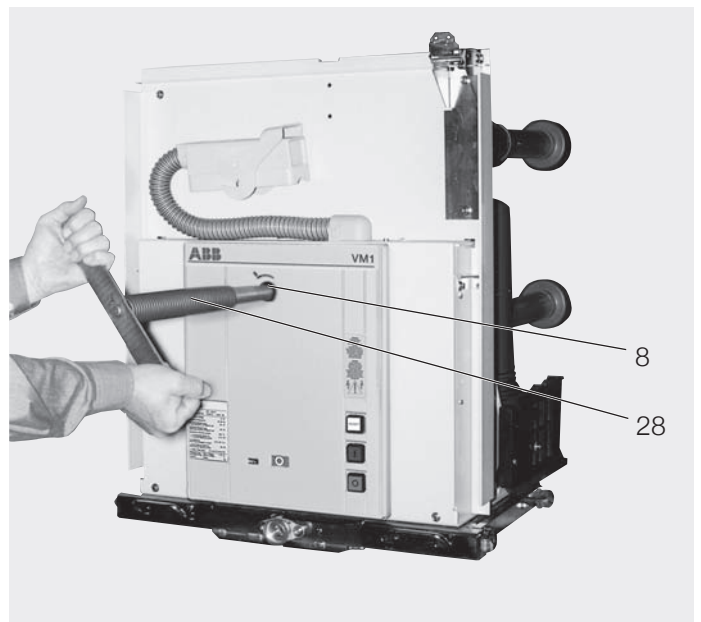


Figure 9/18 Emergency manual switch-off.

- 8 Recess for emergency manual opening lever
- 28 Emergency manual opening lever



Figure 9/20: Emergency manual opening lever.

- 28 Emergency manual opening lever
- 29 Spring to secure the opening capacity

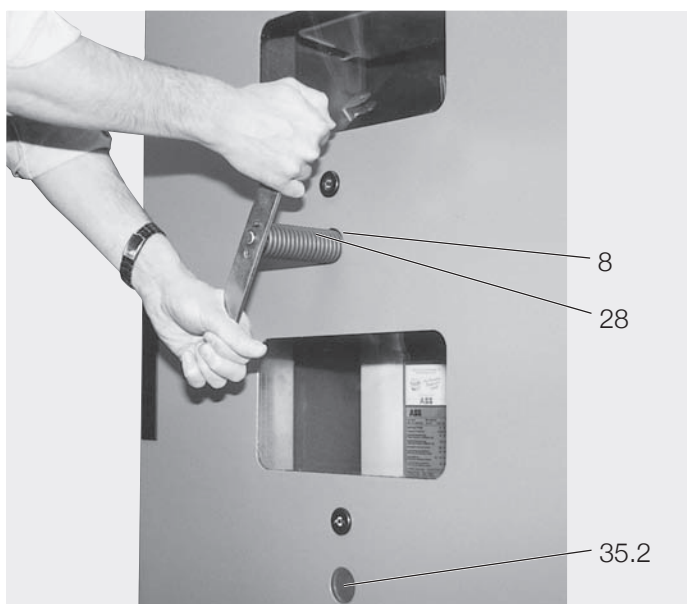


Figure 9/19: Emergency manual switch-off of a VM1 circuit-breaker with the panel door closed, example.

- 8 Recess for emergency manual opening lever
- 28 Emergency manual opening lever
- 35.2 Square spigot for hand crank 38

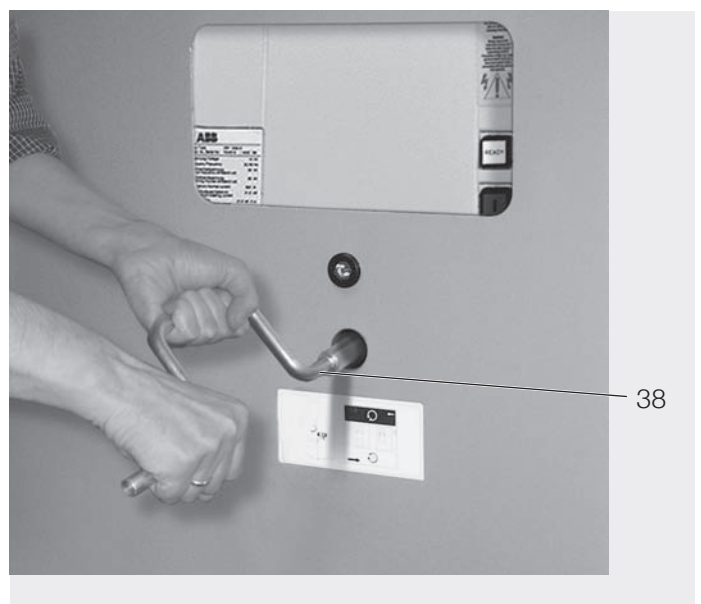


Figure 9/21: Moving the circuit-breaker on a withdrawable part between the test/disconnected position and the service position; clockwise up to the stop for the service position and anti-clockwise for the test/disconnected position. Example of a panel.

- 38 Hand crank

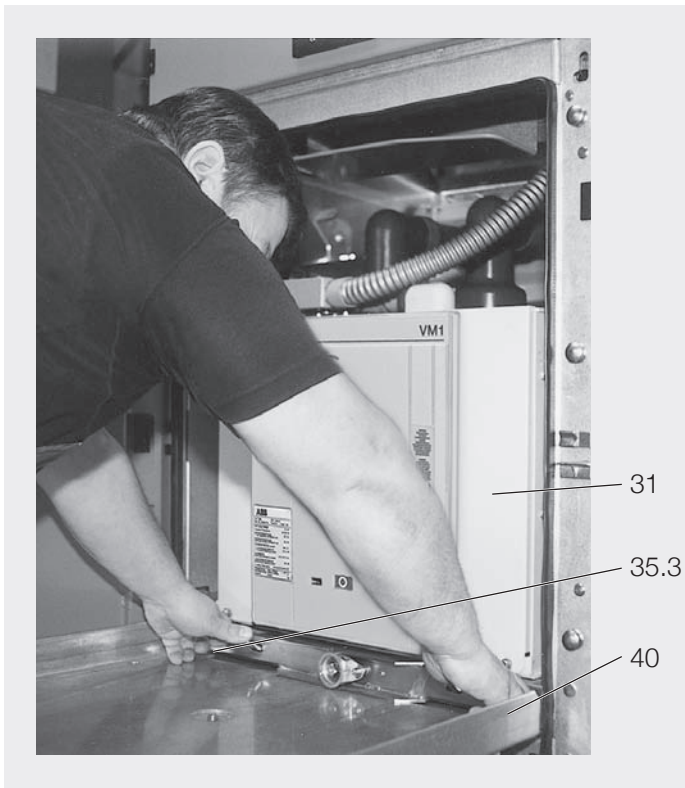


Figure 9/22: Withdrawal of the withdrawable part with circuit-breaker onto the service truck.

- Service truck engaged with the panel
 - Move the sliding handles inwards to disengage
- 31 Withdrawable part with VM1 circuit-breaker
 35.3 Sliding handle
 40 Service truck

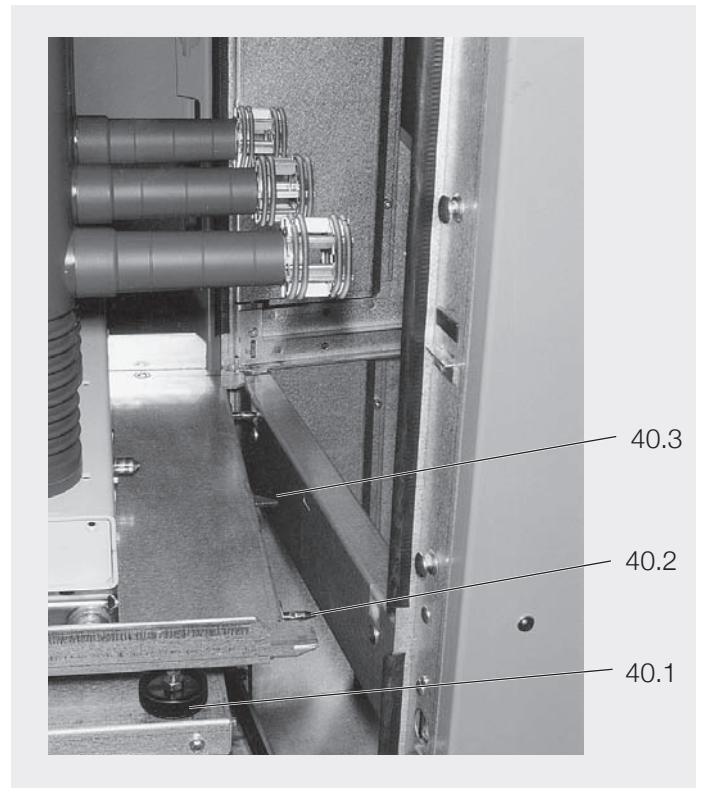


Figure 9/23: Service truck approaching the panel. Align the guide pins on the load surface with the height adjusters, position the truck at the panel and allow the catch to engage.

- 40.1 Height adjuster for the load surface
 40.2 Guide pin
 40.3 Catch

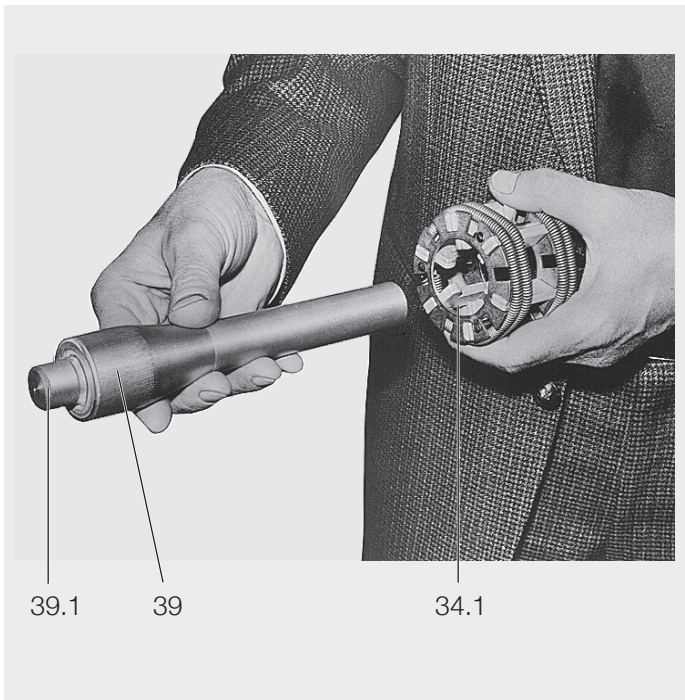


Figure 9/24: Fit the contact system back-to-front on the thin end of the arbor and slide it onto the thicker shank area.

- 334.1 Contact system
 39 Arbor
 39.1 Journal

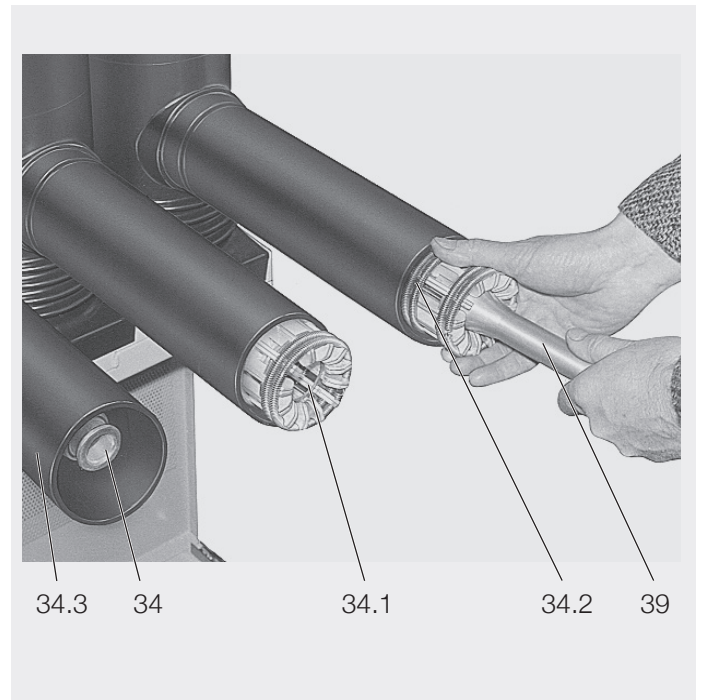


Figure 9/25: Slide the contact system over from the arbor onto the contact arm and allow it to engage there.

- 34 Contact arm
 34.1 Contact system
 34.2 Internal tension springs
 34.3 Insulating sleeve
 39 Arbor

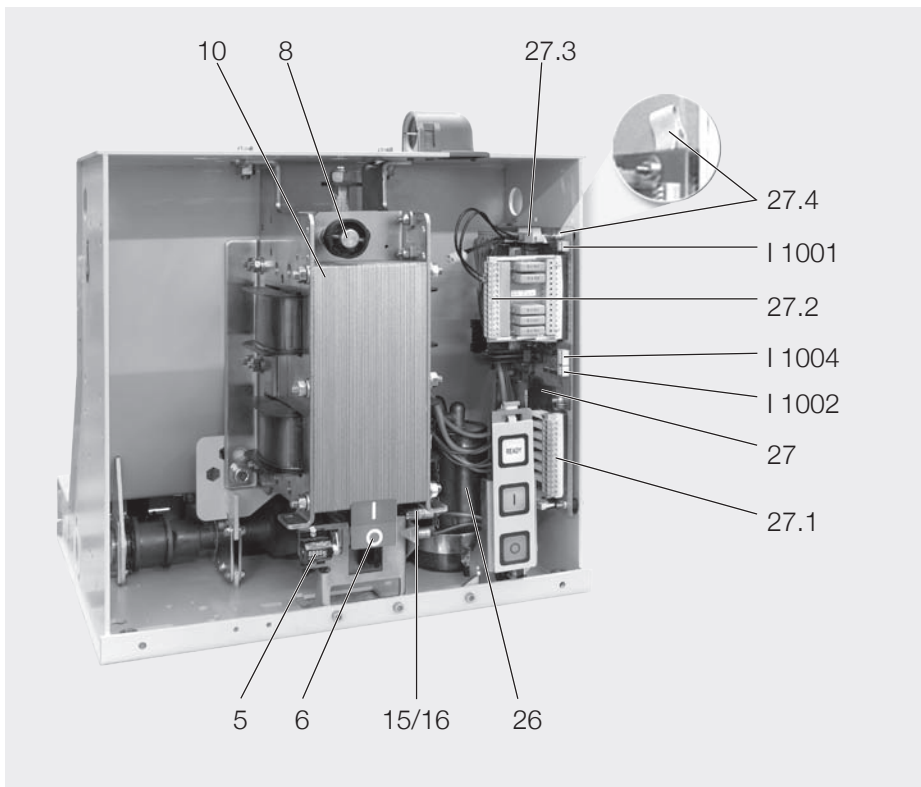


Figure 9/26: View of the operating mechanism of the VM1 circuit-breaker with auxiliary equipment, front plate removed.

- 5 Mechanical operating cycle counter
- 6 Recess for emergency manual opening lever
- 10 Magnetic actuator
- 15 Sensor for "circuit-breaker OFF" signal
- 16 Sensor for "circuit-breaker ON" signal
- 26 Storage capacitor
- 27 Circuit-breaker control unit
- 27.1 Plug connector for outputs -BB4, -DR, -DN, -DO1, -DC1, -DO2 ¹⁾ and -DC2 ¹⁾
- 27.2 Plug connection for inputs -RL1, -MO1, -MC, -MU ¹⁾ and -MO2
- 27.3 Plug connector for supply voltage -MS
- 27.4 Earthing strip

¹⁾ Full version only

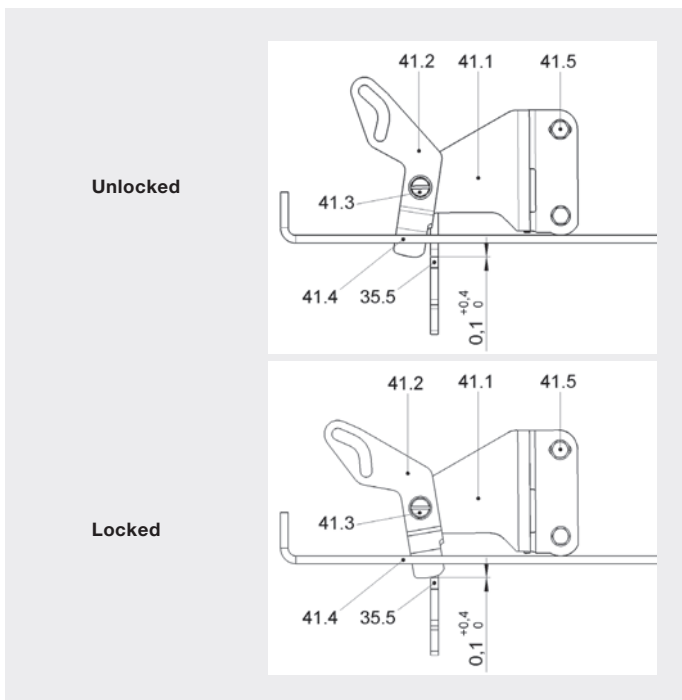


Figure 9/27: Mechanical interlock between the withdrawable assembly and the circuit-breaker, setting of the slide blocker. View from front

- 35.5 Pawl in the withdrawable assembly
- 41.1 Fixing sheet
- 41.2 Slide blocker
- 41.3 Revolute joint
- 41.4 Base plate of the circuit-breaker
- 41.5 Screw

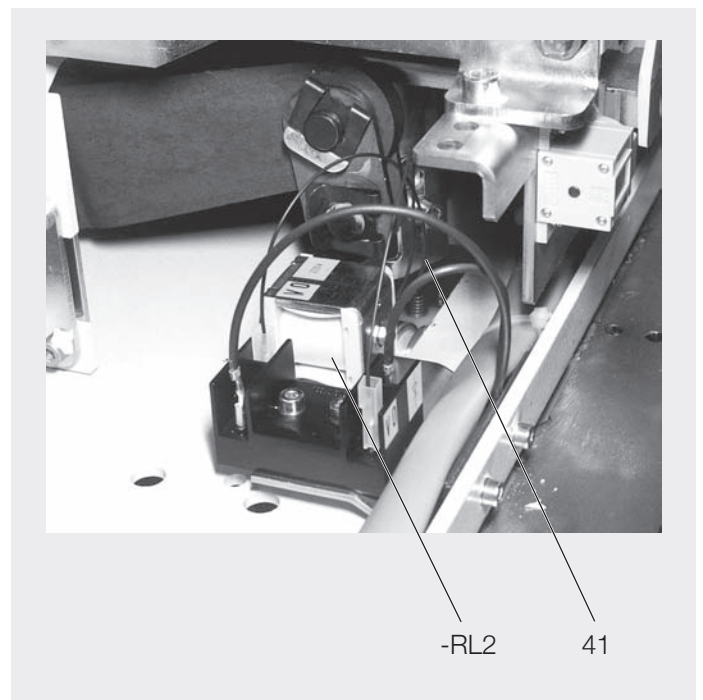


Figure 9/28: Manually movable withdrawable part, front plate removed.

- RL2 Blocking magnet for the withdrawable part (only on manually movable parts)
- 41 Mechanical interlock between the withdrawable assembly and the circuit-breaker

10 Technical data

10.1 Technical data, general

10.1.1 Technical data Control electronics

a) Binary inputs

The following applies to all 5 input channels:

- Electrical isolation between all inputs and from the electronics:
2,0 kV AC
- AC/DC operation (any polarity for DC)
- Response range at inputs -MO1, -MC and -MO2, optionally¹⁾:
 - 24 V ^{-15%} ...60 V ^{+15%} AC
 - 24 V ^{-30%} ...60 V ^{+15%} DC
 - 100 V ^{-15%} ...125 V ^{+15%} AC
 - 100 V ^{-30%} ...125 V ^{+15%} DC
 - 220 V ^{-15%} ...240 V ^{+15%} AC
 - 220 V ^{-30%} ...240 V ^{+15%} DC
- Response range -MU²⁾ adjustable, see page 26
- Response range -RL1:
 - 24 V ^{-15%} ...240 V ^{+15%} AC
 - 24 V ^{-30%} ...240 V ^{+15%} DC
- Base load at input:
 - 300 kΩ (-MU²⁾, -RL1, -MO2)³⁾
 - 14 kΩ (-MO1, -MC)
- Inputs protected from voltage surges.

b) Binary outputs

The following applies to all 5 input channels:

- Electrical isolation between all outputs and from the electronics:
2,0 kV AC
- Switching voltage:
max. 400 V AC or 300 V DC
- Switching current: max. 6 A / 250 V AC (resistive)
- ON resistance: 100 mΩ
- Switch outputs: NOC, NCC and fleeting contact
- Duration of fleeting contact pulse: 100 ms
- Output connections: varistors.

10.1.2 Technical data AC/DC converter

- Input voltage ranges, optional:
 - Power pack A:
 - 24 V ^{-15%} ...48 V ^{+15%} AC
 - 24 V ^{-15%} ...60 V ^{+15%} DC
 - Power pack B:
 - 100 V ^{-15%} ...240 V ^{+10%} AC
 - 110 V ^{-15%} ...240 V ^{+10%} DC
- Protection of power feed (must be ordered):
 - Power pack A:
ABB Stotz m.c.b.: S 282 UC-K, 1.6 A
 - Power pack B:
ABB Stotz m.c.b.: S 282 UC-K, 1.0 A
- Power consumption on the input side during a charging process: ca. 100 W
- Power consumption in normal position: P < 10 W
- Charging times of the capacitor (example for DC voltage):

a) Initial charging on commissioning:

- Breakers to 25 kA: max. 10s
- Breakers from 31.5 kA: max. 15s.

depending on the supply voltage.

In this time, the capacitor(s) is/are charged to 80 V, and an ON-OFF operating cycle is already possible at 72 V. (The "READY" lamp indicates readiness for switching. A flashing "READY" lamp signals recharging of the capacitor. Switching readiness is enabled during that time).

b) Recharging after a switching operation to a charge of 80 V: max. 5s.

¹⁾ Different response ranges for individual inputs on request.

²⁾ Full version on the control module

³⁾ In general, with AC signals which are connected via long lines, it should be checked whether the installed base load of 300 kΩ is sufficient (mutual capacitive coupling!) to ensure a reliably low interference level. Otherwise, an appropriately dimensioned resistor or capacitor is to be connected in parallel at the input terminals.

10.1.3 Permissible number of vacuum interrupter operating cycles

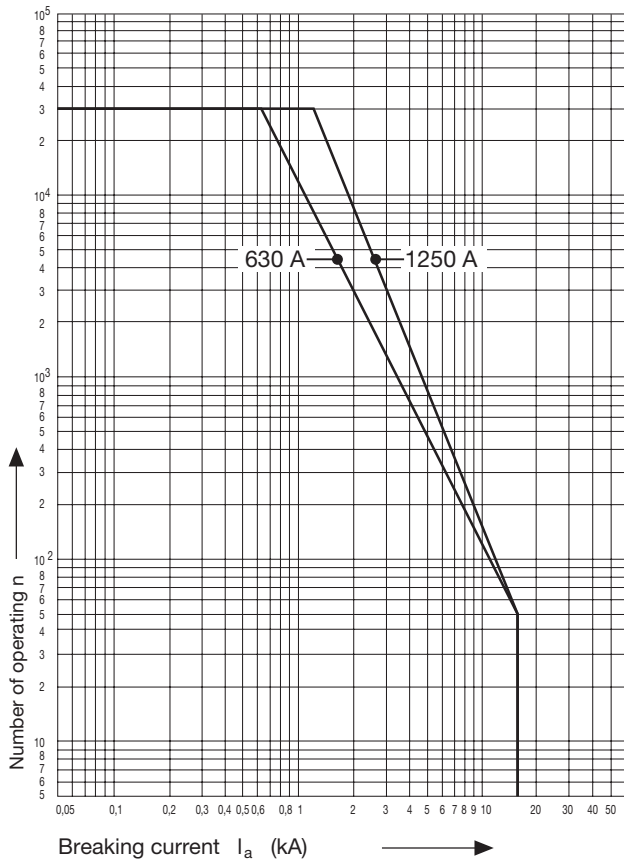


Diagram A)

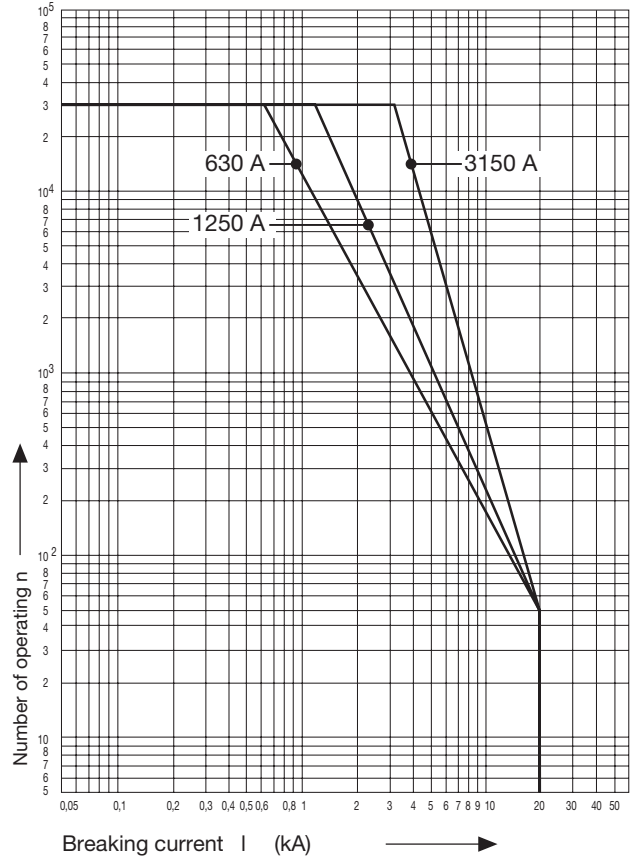


Diagram B)

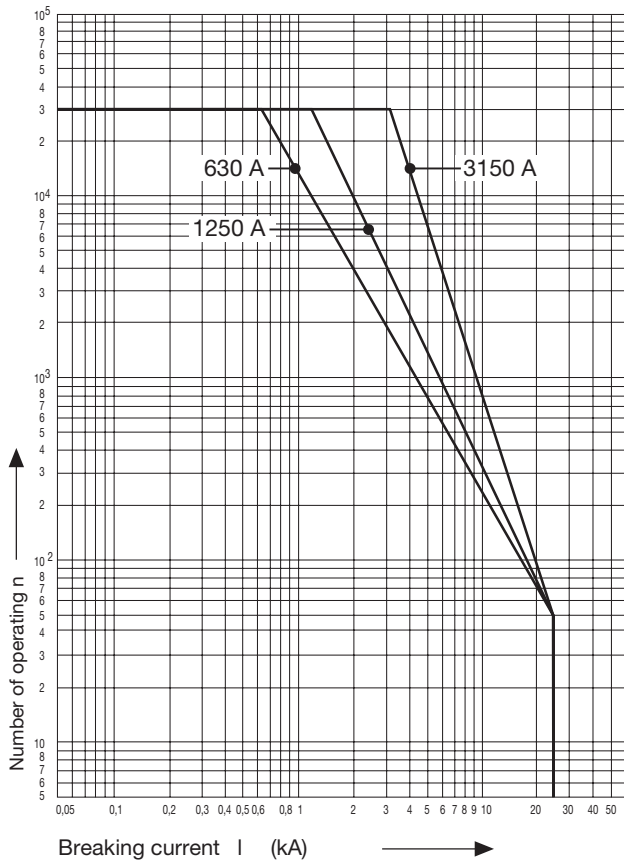


Diagram C)

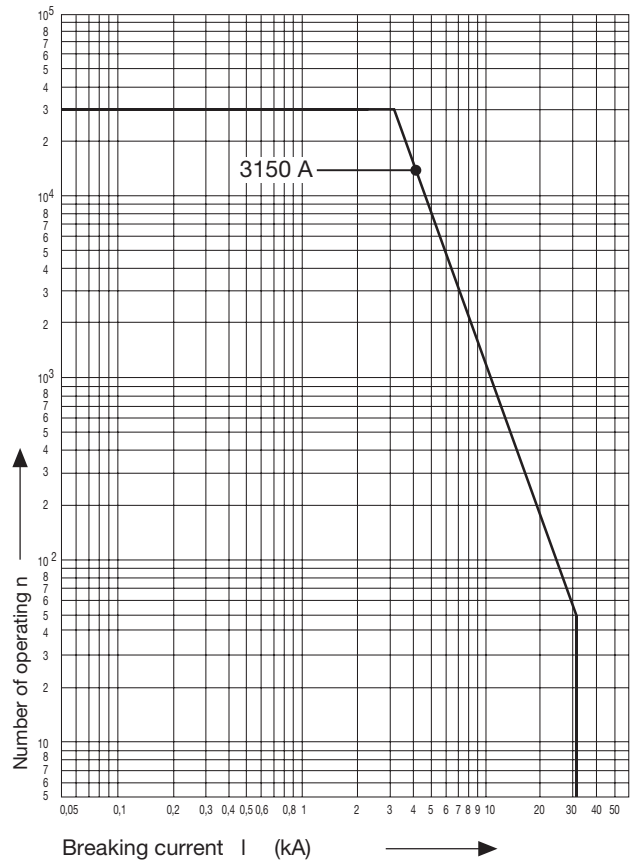


Diagram D)

Figure 10a: Permissible number of vacuum interrupter operating cycles n as a function of the breaking current I_a . (Reference see section 10.2.1 and 10.3.1 – Performance data and weight page 35/36 and 41/42)

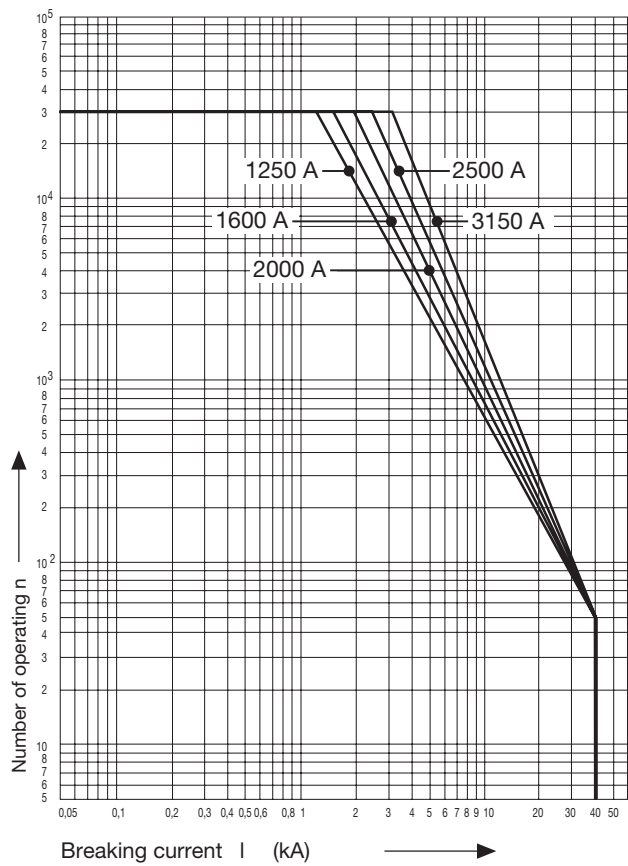


Diagram E)

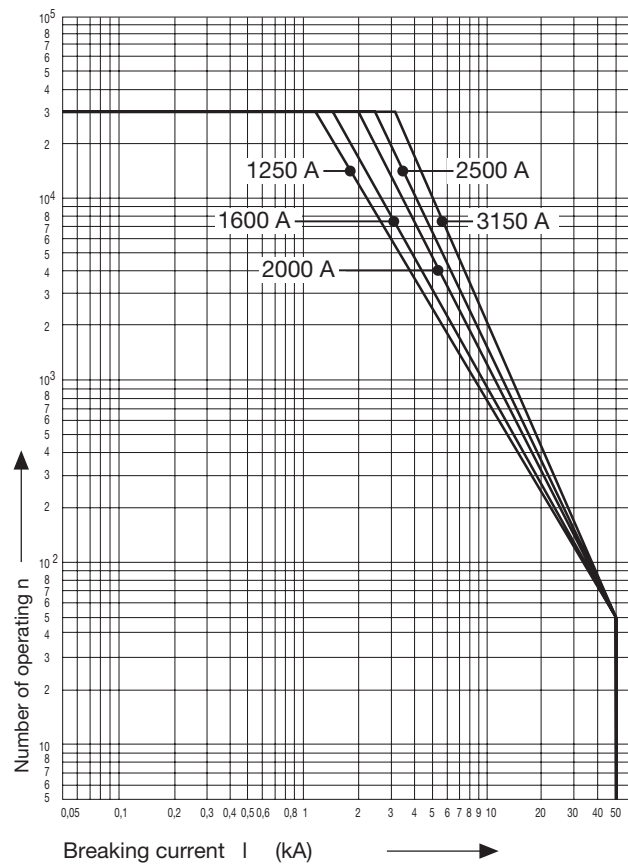


Diagram F)

Figure 10b: Permissible number of vacuum interrupter operating cycles n as a function of the breaking current I_b . (Reference see section 10.2.1 and 10.3.1 – Performance data and weight page 35/36 and 41/42)

10.2 Technical data

Circuit-breakers for fixed installation

10.2.1 Performance data and weights

Rated voltage	kV	12	17.5
Rated frequency	Hz	50/60	50/60
Rated lightning impulse withstand voltage	kV	75	95
Rated power frequency withstand voltage	kV	28	38
Rated of rise of transient recovery voltage	kV/ μ s	0.34	0.42
Peak transient recovery voltage	kV	20,6	30
Rated operating sequence			O-3 min-CO-3 min-CO
Rated operating sequence for autoreclosing			O-0,3 s-CO-3 min-CO

Guideline values for function times:

Closing time	ca. 45...60 ms
Opening time	ca. 35...50 ms
Arcing time (at 50 Hz)	\leq 15 ms
Break time	\leq 60 ms
Minimum command time on closing	20 ms
Minimum command time on opening	20 ms

Breaker type	Rated voltage	Rated current	Rated short-circuit-breaking current symm. ¹⁾	Short-circuit breaking current asymm. ¹⁾	Rated short-circuit making current (peak) ¹⁾	Rated short-circuit duration	Pole centres	Weight ²⁾	Permissible number of vacuum interrupter switching operations	Dimensional drawings
VM1..	kV	A	kA	kA	kA	s	mm	approx. kg	Figure 10a/10b Page 33/34	Figure-no.
1231-25	12	3150	25	27.3	63	3	275	235	Diagram C	10/2
1240-25 ³⁾		4000 ³⁾					275	235	Diagram C	10/2
1231-31		3150	31.5	34.3	80	3	275	235	Diagram D	10/2
1240-31 ³⁾		4000 ³⁾					275	235	Diagram D	10/2
1212-40		1250	40	43.6	100	3	210	135	Diagram E	10/1
1216-40		1600					210/275	135/142	Diagram E	10/1
1220-40		2000					210/275	135/142	Diagram E	10/2
1225-40		2500					210/275	141/148	Diagram E	10/2
1231-40		3150					275	235	Diagram E	10/2
1240-40 ³⁾		4000 ³⁾					275	235	Diagram E	10/2
1212-50		1250	50	54.5	125	3	210/275	232/240	Diagram F	10/3
1216-50		1600					210/275	232/240	Diagram F	10/3
1220-50		2000					210/275	232/240	Diagram F	10/3
1225-50		2500					210/275	232/240	Diagram F	10/3
1231-50		3150					275	245	Diagram F	10/3
1240-50 ³⁾		4000 ³⁾					275	245	Diagram F	10/3

¹⁾ At operating voltages lower than the rated voltage, the same values fundamentally apply as for the rated voltage. Higher values on request.

²⁾ Individual unit without truck

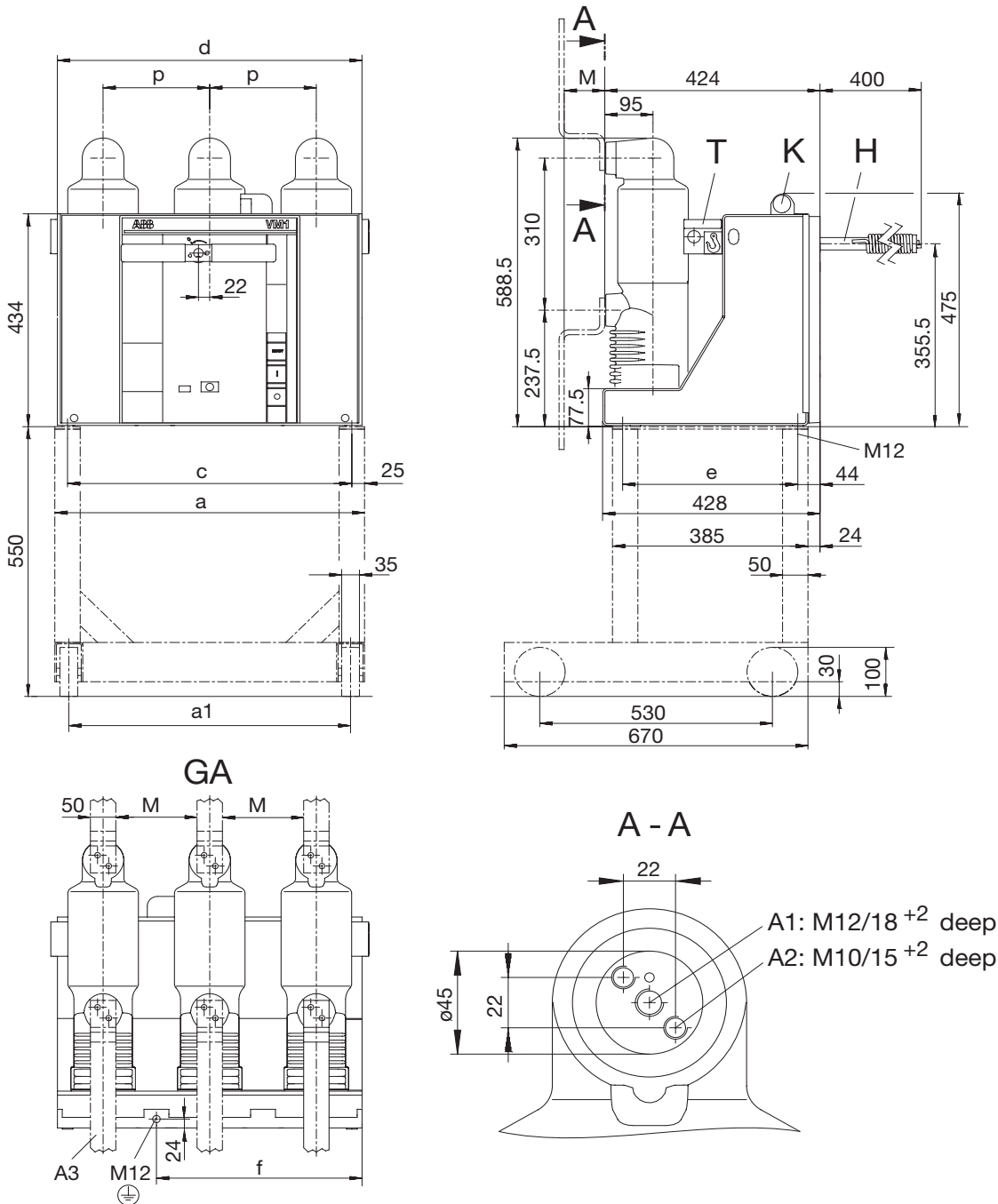
³⁾ Breakers for 4000 A with fan cooling

Breaker type	Rated voltage	Rated current	Rated short-circuit-breaking current symm. ¹⁾	Short-circuit breaking current asymm. ¹⁾	Rated short-circuit making current (peak) ¹⁾	Rated short-circuit duration	Pole centres	Weight ²⁾	Permissible number of vacuum interrupter switching operations	Dimensional drawings
VM1..	kV	A	kA	kA	kA	s	mm	approx. kg	Figure 10a/10b Page 33/34	Figure-no.
1731-25	17.5	3150	25	27.3	63	3	275	235	Diagram C	10/2
1731-31		3150	31.5	34.3	80	3	275	235	Diagram D	10/2
1712-40		1250	40	43.5	100	3	210	232	Diagram E	10/1
1716-40		1600					210/275	232/240	Diagram E	10/1
1720-40		2000					210/275	232/240	Diagram E	10/2
1725-40		2500					210/275	232/240	Diagram E	
1731-40		3150					275	245	Diagram E	10/2

¹⁾ At operating voltages lower than the rated voltage, the same values fundamentally apply as for the rated voltage. Higher values on request.

²⁾ Individual unit without truck

10.2.2 Dimensions
Circuit-breaker for fixed installation



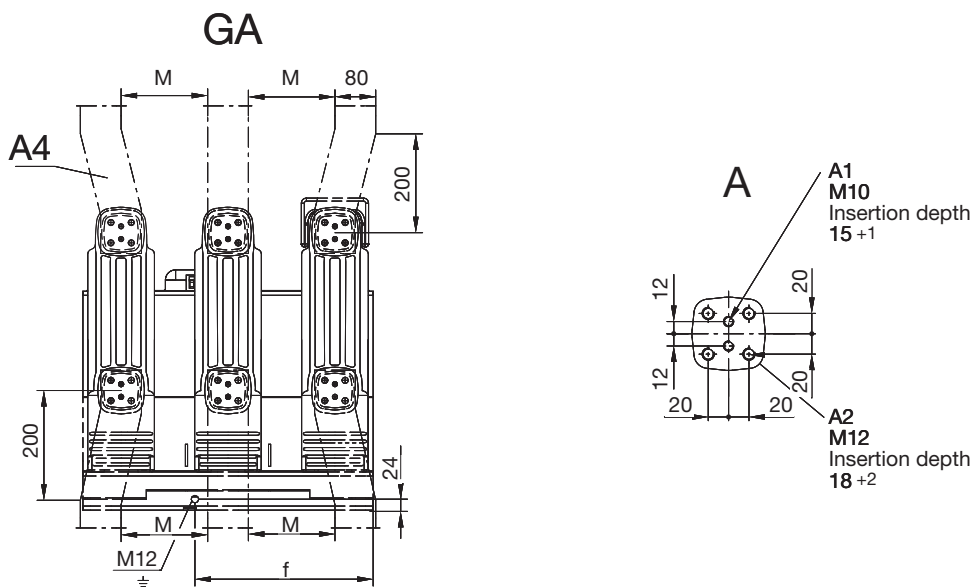
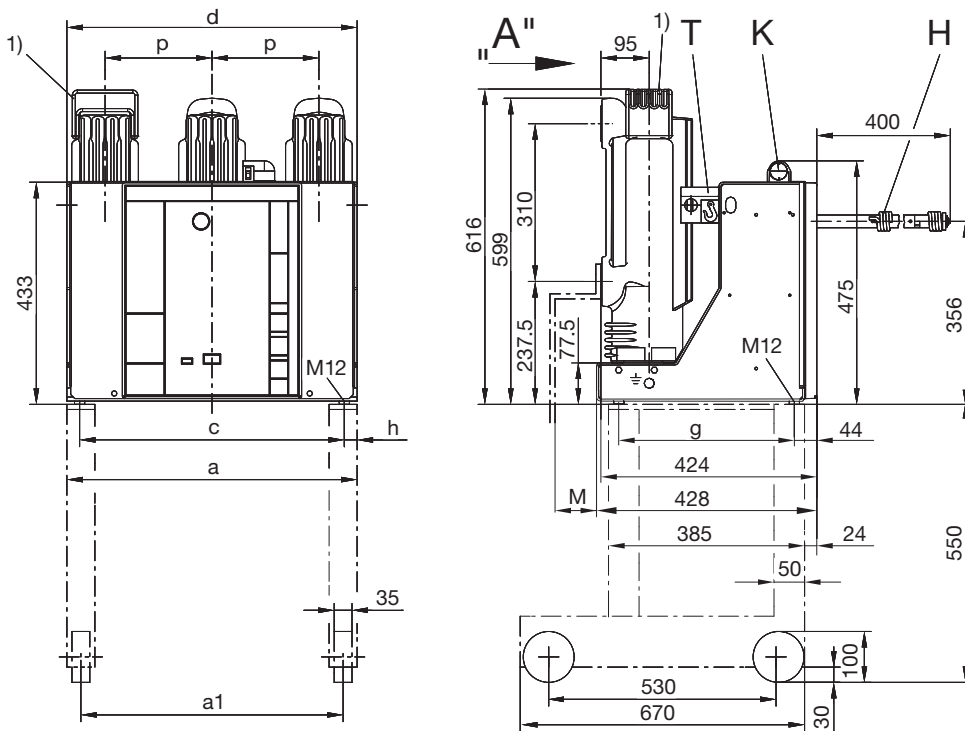
H = Emergency manual opening lever
 K = Cable entry
 T = Handling bores, both sides
 Note: Remove the lifting lugs on both sides before commissioning)
 A = View „A“
 M = Minimum distance to DIN VDE 0101
 GA = Tested terminal zone

A1 = Terminal for contact arm
 A2 = Terminal for connecting bar
 A3 = Terminal bar to DIN 46 433
 ⊕ = Earthing conductor terminal, use contact washer

Rated voltage	Rated current	Rated short-circuit-breaking current							
kV	A	kA	p	a	a ₁	c	d	f	e
12 / 17.5	1250 / 1600	40	210	610	555	560	600	405	320
12 / 17.5	1600	40	275	750	695	700	750	545	345

Figure 10/1: Dimensional drawing of circuit-breaker type VM1 ¹⁾
 - 12 / 17.5 kV, 1250 / 1600 A, 40 kA

¹⁾ See table page 35 and 36 (column Dimensional drawings)



H = Emergency manual opening lever

K = Cable entry

T = Handling bores, both sides Note: Remove the lifting lugs on both sides before commissioning

A = View „A“

GA = Tested terminal zone

M = Minimum distance to DIN VDE 0101

A1 = Terminal for contact arm

A2 = Terminal for connecting bar

A4 = Terminal bar to DIN 46 433, for 17.5 kV shrink sleeve fitted

⊕ = Earthing conductor terminal, use contact washer

Rated voltage	Rated current	Rated short-circuit-breaking current								
kV	A	kA	p	a	a ₁	c	d	f	g	h
12 / 17.5	2000 / 2500 ¹⁾	40	210	610	555	560	600	405	320	20
12	3150 ¹⁾ / 4000 ²⁾	25 / 31.5	275	750	695	700	750	545	345	25
17.5	3150 ¹⁾	25 / 31.5	275	750	695	700	750	545	345	25
12 / 17.5	2000 / 2500 ¹⁾	40	275	750	695	700	750	545	345	25
12	3150 ¹⁾ / 4000 ²⁾	40	275	750	695	700	750	545	345	25
17.5	3150 ¹⁾	40	275	750	695	700	750	545	345	25

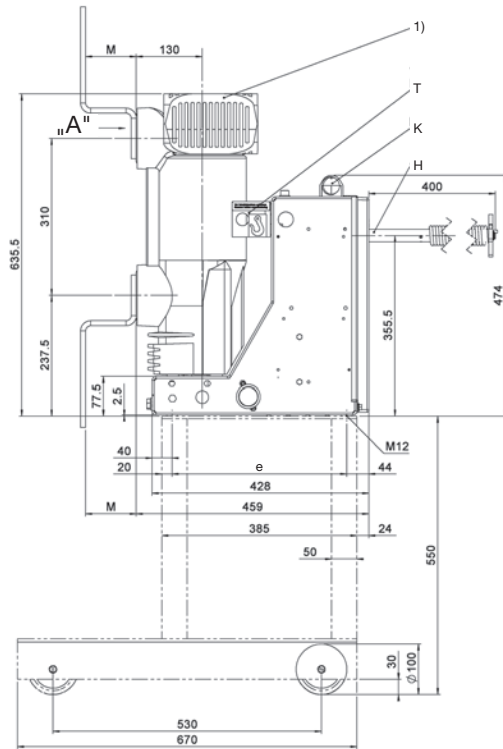
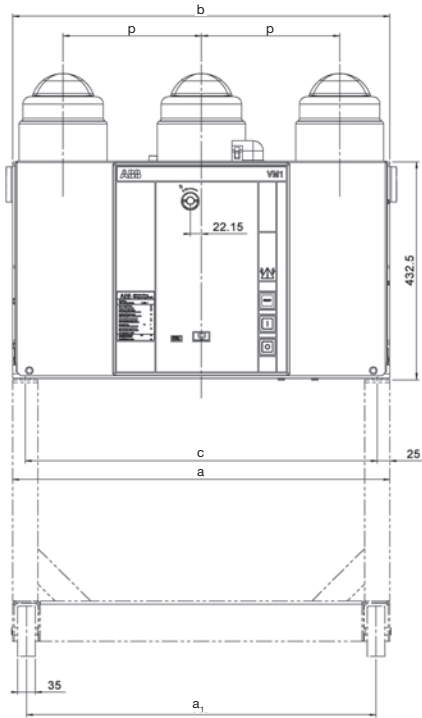
Figure 10/2: Dimensional drawing of circuit-breaker type VM1 ⁴⁾
 - 12 / 17.5 kV, ... 4000 A ³⁾, ... 40 kA

¹⁾ Breakers with rated currents 2500 / 3150 A are fitted with a heat sink

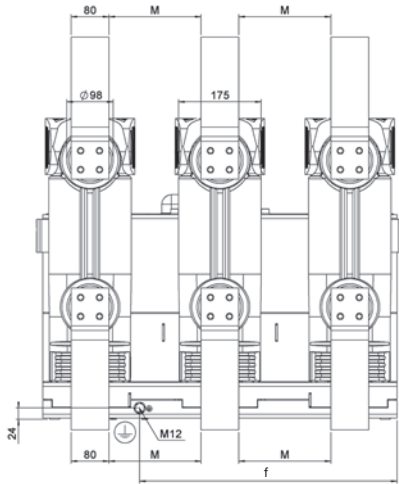
²⁾ Breakers with fan cooling

³⁾ 4000 A only 12 kV

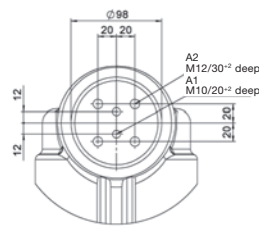
⁴⁾ See table page 35 and 36 (column Dimensional drawings)



GA



A



H = Emergency manual opening lever

K = Cable entry

T = Handling bores, both sides Note: Remove the lifting lugs on both sides before commissioning

A = View „A“

GA = Tested terminal zone

M = Minimum distance to DIN VDE 0101

A1 = Terminal for contact arm

A2 = Terminal for connecting bar

⊕ = Earthing conductor terminal, use contact washer

Rated voltage	Rated current	Rated short-circuit-breaking current							
kV	A	kA	p	b	a	a ₁	c	e	f
12	...2500	50	210	600	610	555	560	320	405
12	...4000 ¹⁾	50	275	750	750	695	700	345	512

Figure 10/3: Dimensional drawing of circuit-breaker type VM1²⁾

- 12 kV, ...2500 A, 50 kA
- 12 kV, ...4000 A¹⁾, 50 kA

¹⁾ Heat sink for ≥ 3150 A only. Breakers for 4000 A additionally with fan cooling

²⁾ See table page 35 and 36 (column Dimensional drawings)

10.3 Technical data

Circuit-breakers on withdrawable part¹⁾

10.3.1 Performance data and weights

Rated voltage	kV	12	17.5	24
Rated frequency	Hz	50/60	50/60	50/60
Rated lightning impulse withstand voltage	kV	75	95	125
Rated power frequency withstand voltage	kV	28	38	50
Rated of rise of transient recovery voltage	kV/ μ s	0.34	0.42	0.47
Peak transient recovery voltage	kV	20.6	30	41
Rated operating sequence			O-3 min-CO-3 min-CO	
Rated operating sequence for autoreclosing			O-0.3 s-CO-3 min-CO	

Guideline values for function times:

Closing time	ca. 45...60 ms
Opening time	ca. 35...50 ms
Arcing time (at 50 Hz)	\leq 15 ms
Break time	\leq 60 ms
Minimum command time on closing	20 ms
Minimum command time on opening	20 ms

Breaker type	Rated voltage	Rated current	Rated short-circuit-breaking current symm. ²⁾	Short-circuit breaking current asymm. ²⁾	Rated short-circuit making current (peak) ²⁾	Rated short-circuit duration	Pole centres ¹⁾	Weight ^{1) 3)}	Permissible number of vacuum interrupter switching operations	Dimensional drawings
VM1..	kV	A	kA	kA	kA	s	mm	approx. kg	Figure 10a/10b Page 33/34	Figure-no.
1206-16 ⁵⁾	12	630	16	17.4	40	3	150	127	Diagram A	10/8
1212-16 ⁵⁾		1250					150	131	Diagram A	10/8
1206-20 ⁵⁾		630	20	21.8	50	3	150	127	Diagram B	10/8
1212-20 ⁵⁾		1250					150	131	Diagram B	10/8
1206-25 ⁵⁾		630	25	27.3	63	3	150	127	Diagram C	10/8
1212-25 ⁵⁾		1250					150	131	Diagram C	10/8
1231-25		3150					275	280	Diagram C	10/5
1240-25 ⁴⁾		4000 ⁴⁾					275	280	Diagram C	10/5
1231-31		3150	31.5	34.3	80	3	275	280	Diagram D	10/5
1240-31 ⁴⁾		4000 ⁴⁾					275	280	Diagram D	10/5
1212-40		1250	40	43.6	100	3	210	215	Diagram E	10/4
1216-40		1600					210/275	215/220	Diagram E	10/4
1220-40		2000					275	220	Diagram E	10/5
1225-40		2500					275	225	Diagram E	10/5
1231 40		3150					275	280	Diagram E	10/5
1240-40 ⁴⁾		4000 ⁴⁾					275	280	Diagram E	10/5
1212-50		1250	50	54.5	125	3	210	222	Diagram F	10/7
1216-50		1600					210/275	222/230	Diagram F	10/7
1220-50		2000					275	260	Diagram F	10/6
1225-50		2500					275	265	Diagram F	10/6
1231-50		3150					275	290	Diagram F	10/6
1240-50 ⁴⁾		4000 ⁴⁾					275	290	Diagram F	10/6

¹⁾ For further details on the cell type assignments see the section on dimensions for circuit-breaker on withdrawable assembly

²⁾ At operating voltages lower than the rated voltage, the same values fundamentally apply as for the rated voltage. Higher values on request.

³⁾ With a motorized withdrawable part, the weight is increased by approx. 2 kg.

⁴⁾ Breakers for 4000 A with fan cooling

⁵⁾ Use in ZS8.4 only

Breaker type	Rated voltage	Rated current	Rated short-circuit-breaking current symm. ²⁾	Short-circuit breaking current asymm. ²⁾	Rated short-circuit making current (peak) ²⁾	Rated short-circuit duration	Pole centres ¹⁾	Weight ¹⁾³⁾	Permissible number of vacuum interrupter switching operations	Dimensional drawings
VM1..	kV	A	kA	kA	kA	s	mm	approx. kg	Figure 10a/10b Page 33/34	Figure-no.
1706-16 ⁵⁾	17.5	630	16	17.4	40	3	210	127	Diagram A	10/8
1712-16 ⁵⁾		1250					210	131	Diagram A	10/8
1706-20 ⁵⁾		630	20	21.8	50	3	210	127	Diagram B	10/8
1712-20 ⁵⁾		1250					210	131	Diagram B	10/8
1731-20		3150					275	280	Diagram B	10/5
1740-20 ⁴⁾		4000 ⁴⁾					275	280	Diagram B	10/5
1731-25		3150	25	27.3	63	3	275	280	Diagram C	10/5
1740-25 ⁴⁾		4000 ⁴⁾					275	280	Diagram C	10/5
1731-31		3150	31.5	34.3	80	3	275	280	Diagram D	10/5
1740-31 ⁴⁾		4000 ⁴⁾					275	280	Diagram D	10/5
1712-40		1250	40	43.5	100	3	210	222	Diagram E	10/4
1716-40		1600					210/275	222/230	Diagram E	10/4
1720-40		2000					275	260	Diagram E	10/5
1725-40		2500					275	265	Diagram E	10/5
1731-40		3150					275	290	Diagram E	10/5
1740-40 ⁴⁾		4000 ⁴⁾					275	290	Diagram E	10/5
2406-16 ⁵⁾	24	630	16	17.4	40	3	210	128	Diagram A	10/9
2412-16 ⁵⁾		1250					210	142	Diagram A	10/9
2406-20 ⁵⁾		630	20	21.8	50	3	210	128	Diagram B	10/9
2412-20 ⁵⁾		1250					210	142	Diagram B	10/9
2406-25 ⁵⁾		630	25	27.3	63	3	210	128	Diagram C	10/9
2412-25 ⁵⁾		1250					210	142	Diagram C	10/9

¹⁾ For further details on the cell type assignments see the section on dimensions for circuit-breaker on withdrawable assembly

²⁾ At operating voltages lower than the rated voltage, the same values fundamentally apply as for the rated voltage. Higher values on request.

³⁾ With a motorized withdrawable part, the weight is increased by approx. 2 kg.

⁴⁾ Breakers for 4000 A with fan cooling

⁵⁾ Use in ZS8.4 only

10.3.2 Dimensional drawings
Circuit-breakers on withdrawable part

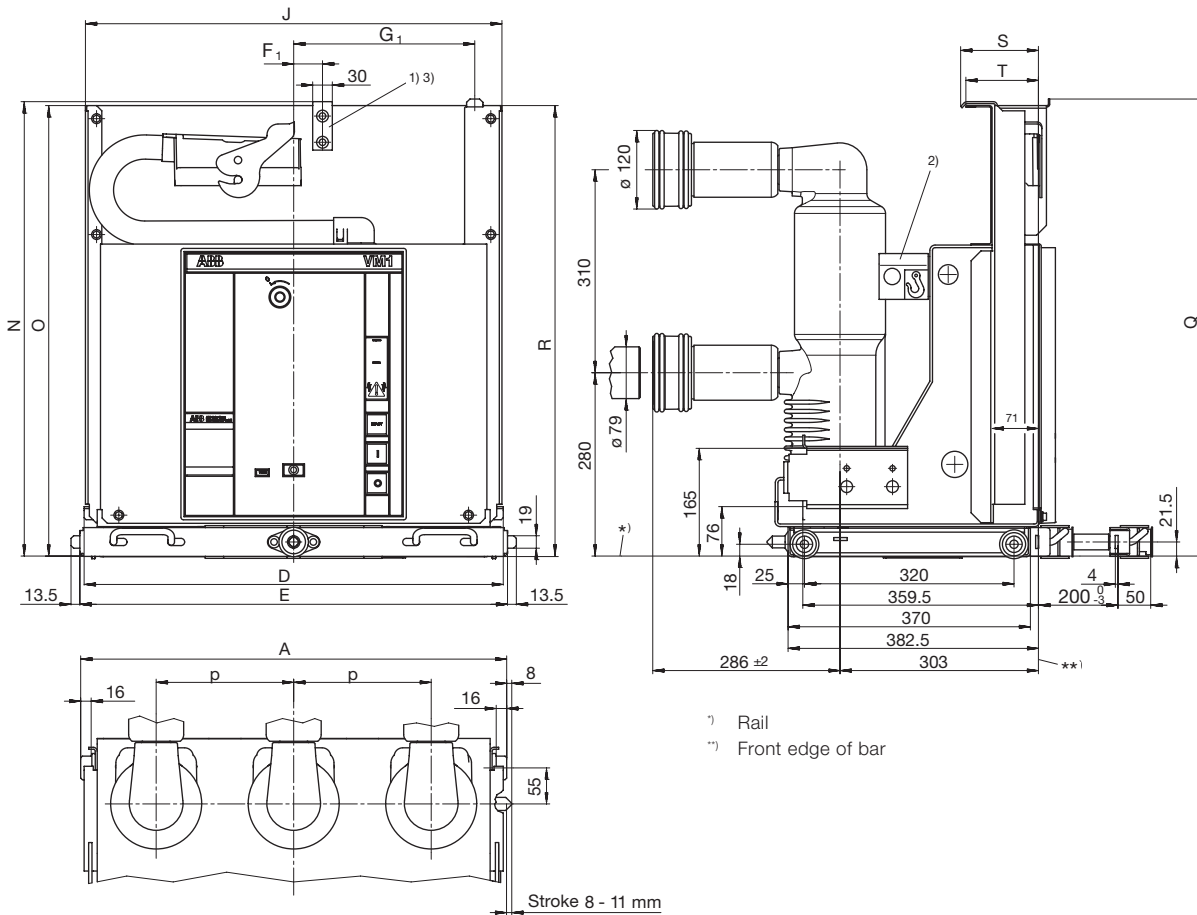


Table 1:

Zellentyp	Parameters 12 / 17,5 kV	p	A	D	E	J
UniGear-type ZS1	...1600 A, 40 kA	210	650	640	653	636
Powerbloc	1600 A, 40 kA	275	850	836	853	844

Table 2:

Zellentyp	p	N	O	Q	R	S	T	F ₁	G ₁
Powerbloc	210	694	688	698	688	118	110	44	276
	275	694	688	698	688	118	110	144	376
UniGear-type ZS1	210	691±2	688	698	688±2	119	111±1	44±1	273±1
	275	691±2	688	698	688±2	119	111±1	144±1	373±1

Figure 10/4: Vacuum circuit-breaker on withdrawable part, type VM1 ⁴⁾

- Use in UniGear-type ZS1 and Powerbloc
- 12 / 17.5 kV, ...1600 A, 40 kA

- ¹⁾ Only fitted on withdrawable parts for SACE
- ²⁾ Remove the lifting lugs on both sides before commissioning
- ³⁾ Not fitted on withdrawable parts for Powerbloc
- ⁴⁾ See table page 40 and 41 (column Dimensional drawings)

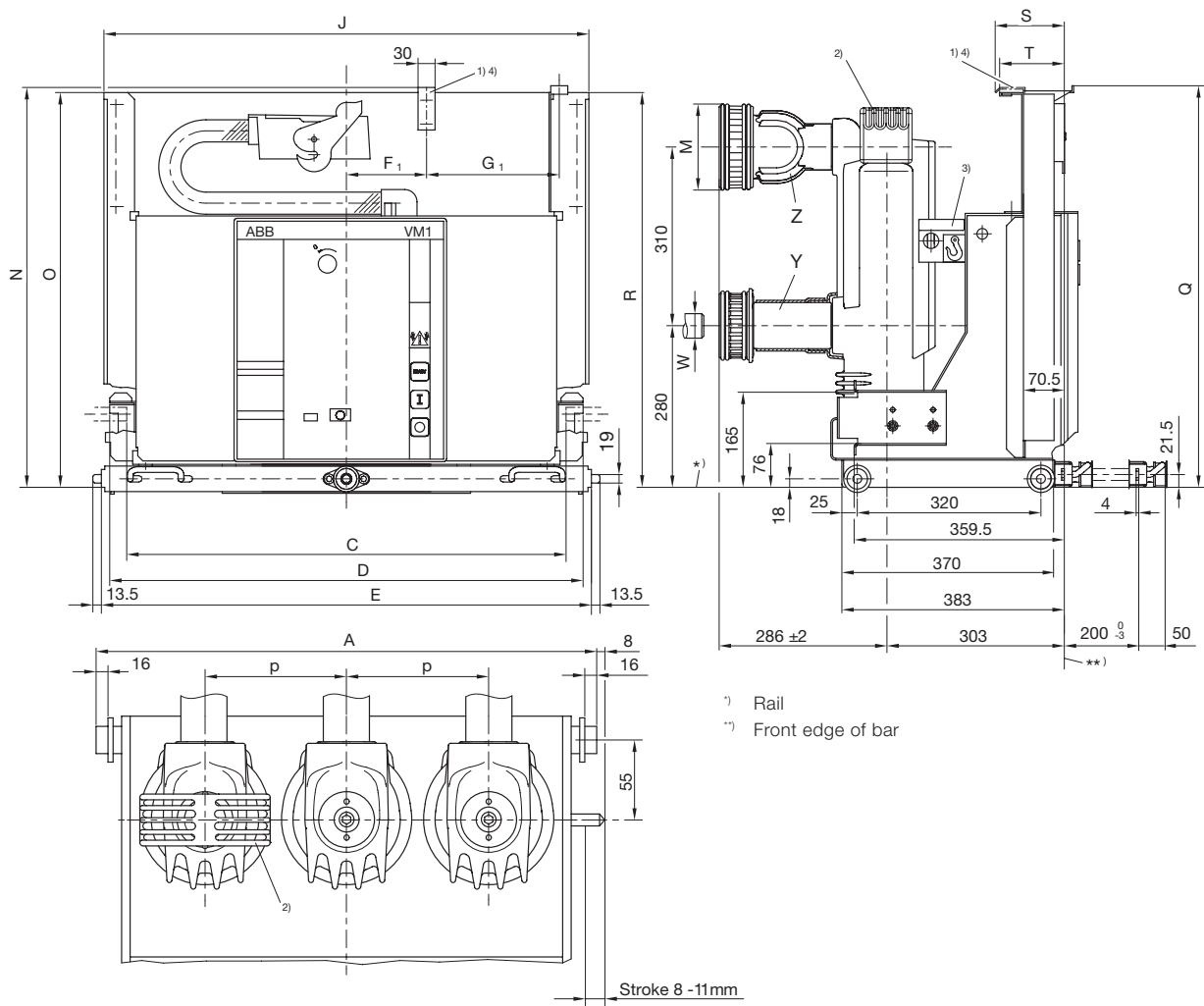


Table 1:

Panel type	Parameters			p	A	C	D	E	J	M	W	Y ⁵⁾	Z ⁶⁾
	kV	A	kA										
UniGear-type ZS1 Powerbloc	12	3150 ²⁾ / 4000 ⁷⁾	25 / 31.5	275	850	812	836	853	844	149	109	-	x
	12 / 17.5	2000 / 2500 / 3150 ²⁾ / 4000 ⁷⁾	40	275	850	812	836	853	844	149	109	-	x
	17.5	3150 ²⁾ / 4000 ⁷⁾	20 / 25 / 31.5	275	850	812	836	853	844	149	109	-	x

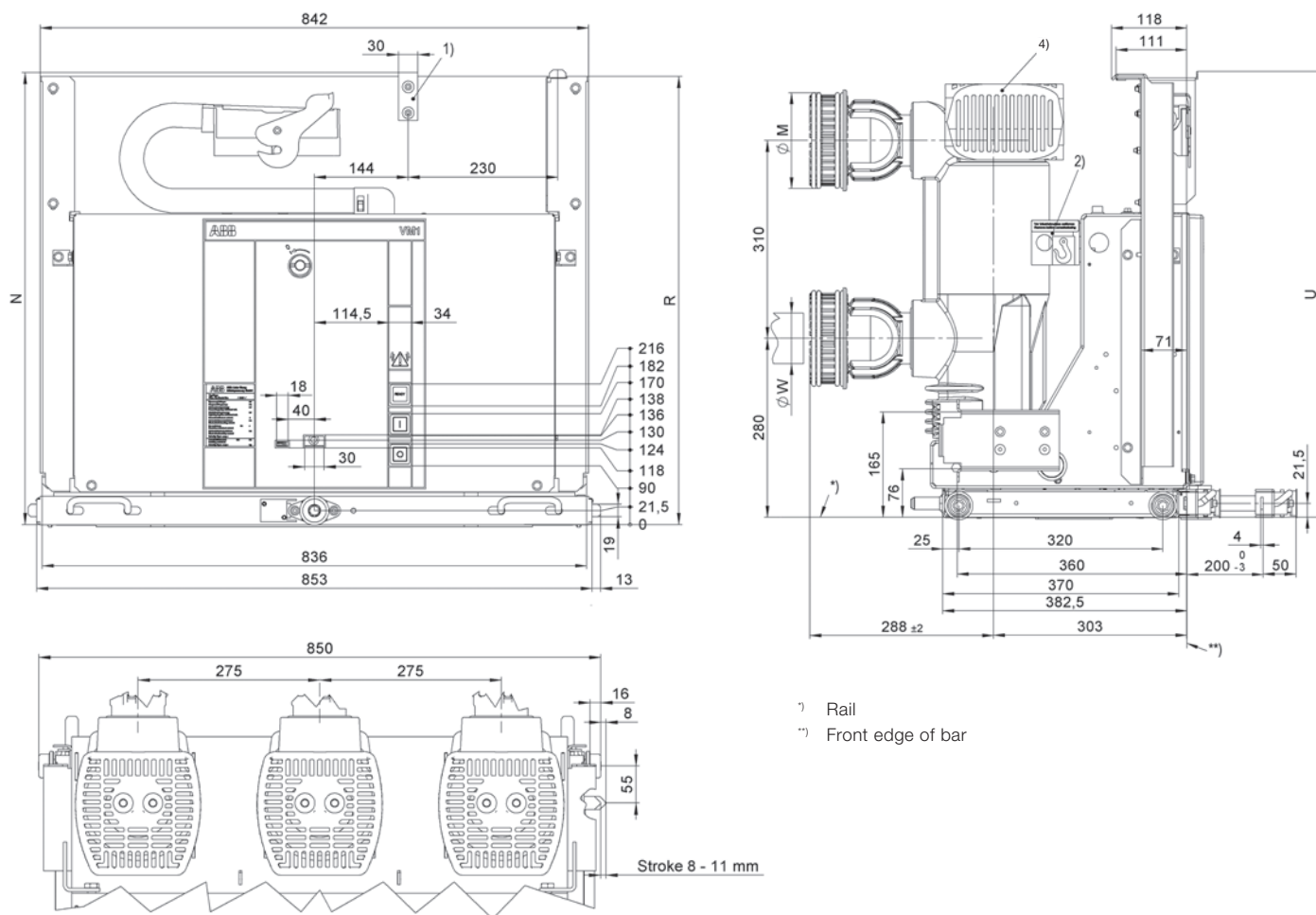
Table 2:

Panel type	p	N	O	Q	R	S	T	F1	G1
Powerbloc	275	694	688	698	688	118	110	144	230
UniGear-type ZS1	275	691±2	688	698	688±2	119	111±1	144±1	229±1

Figure 10/5: Vacuum circuit-breaker on withdrawable part, type VM1⁸⁾

- 12 kV, 3150²⁾ / 4000⁷⁾ A, 25 / 31.5 kA
- 12 / 17.5 kV, 2000 / 2500 / 3150²⁾ / 4000⁷⁾ A, 40 kA
- 17.5 kV, 3150²⁾ / 4000⁷⁾ A, 20 / 25 / 31.5 kA

- ¹⁾ Only fitted on withdrawable parts for SACE
- ²⁾ Heat sink only fitted for rated currents of 2500 A and above
- ³⁾ Remove the lifting lugs on both sides before commissioning
- ⁴⁾ Not fitted on withdrawable parts for Powerbloc
- ⁵⁾ Versions for 2000 A (with shrink sleeve)
- ⁶⁾ Versions for 2500 - 4000⁷⁾ A (with heat sink, without shrinking sleeve)
- ⁷⁾ Breakers for 4000 A additionally with fan cooling
- ⁸⁾ See table page 40 and 41 (column Dimensional drawings)



1) Rail
2) Front edge of bar

Table 1:

Panel type	Parameters 12	M	W	U
UniGear-type ZS1	2000 A, 50 kA	120	79	694
Powerbloc	... 4000 ⁵⁾ A, 50 kA	149	109	694

Table 2:

Panel type	p	N	R
Powerbloc	275	694	688
UniGear-type ZS1	275	691±2	688±2

Figure 10/6: Vacuum circuit-breaker on withdrawable part, type VM1³⁾

- Use in UniGear-type ZS1 and Powerbloc
- 12 kV, 2000 / 2500 / 3150⁴⁾, 4000⁵⁾ A, 50 kA

- 1) Only fitted on withdrawable parts for SACE up to 2500 A
- 2) Remove the lifting lugs on both sides before commissioning
- 3) See table page 40 and 41 (column Dimensional drawings)
- 4) Heat sink only fitted for rated currents from 3150 A upwards
- 5) Breakers for 4000 A with fan cooling

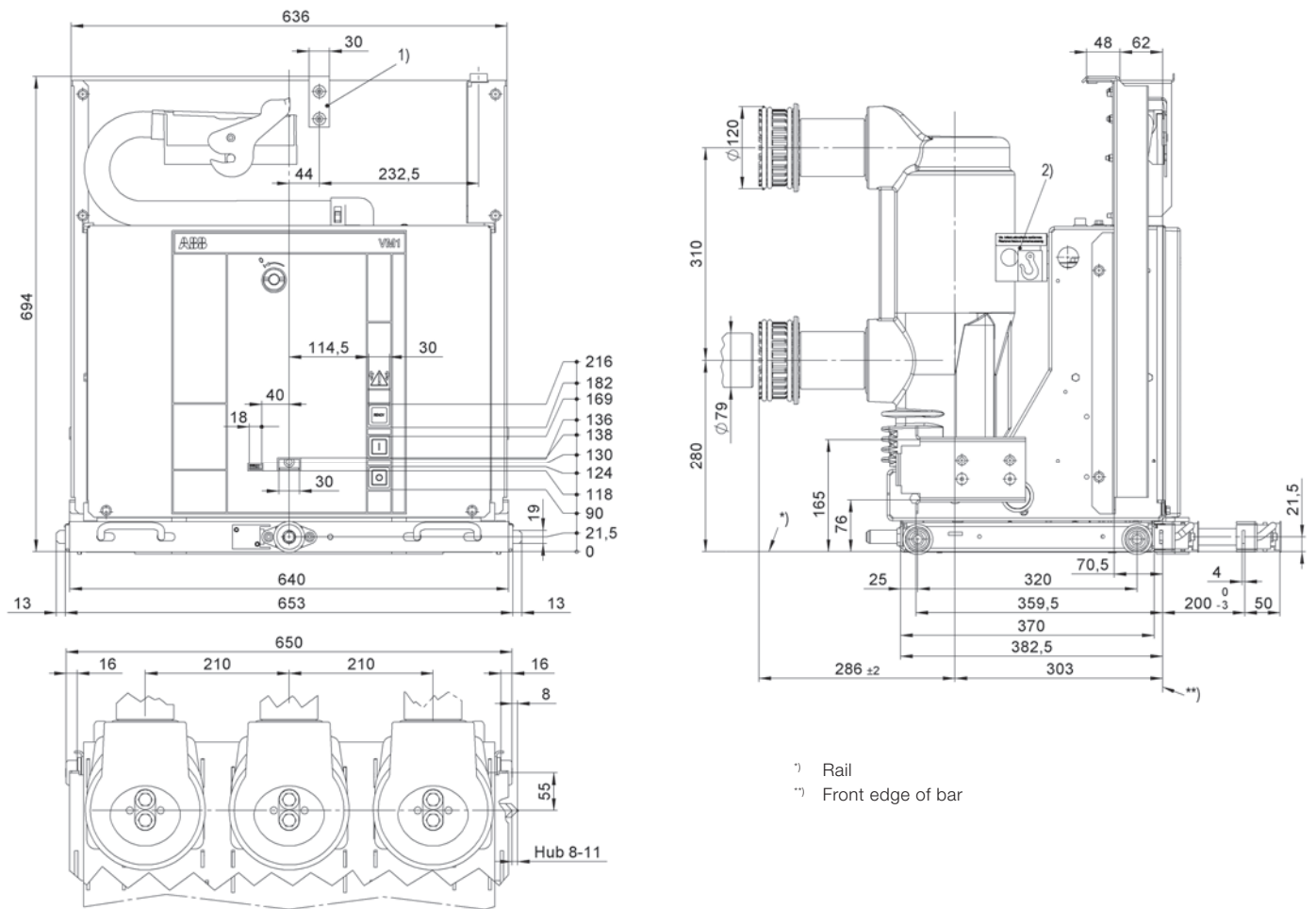
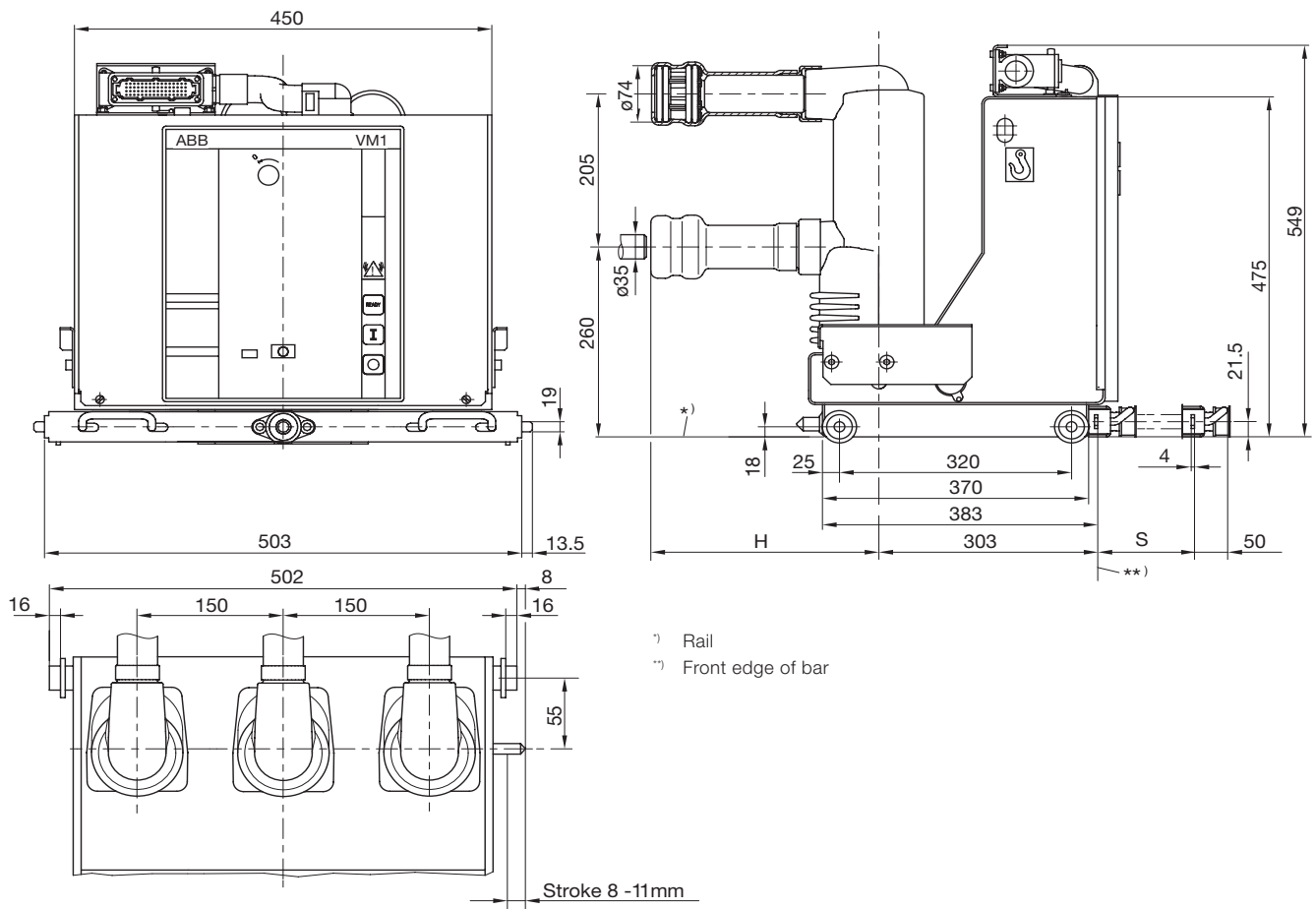


Figure 10/7: Vacuum circuit-breaker on withdrawable part, type VM1 ³⁾
 - Use in UniGear-type ZS1 and Powerbloc
 - ...12 kV, ...1600 A, 50 kA

- ¹⁾ Only fitted on withdrawable parts for SACE up to 2500 A
²⁾ Remove the lifting lugs on both sides before commissioning
³⁾ See table page 40 and 41 (column Dimensional drawings)



Panel type	Parameters 12 kV	Parameters 17.5 kV	H ± 2	S ± 3
ZS8.4 without tee-off partitioning	630 A, ...25 kA	630 A, ...20 kA	193	200
ZS8.4 with tee-off partitioning	630 A, ...25 kA	630 A, ...20 kA	283	250

Figure 10/8: Vacuum circuit-breaker on withdrawable part, type VM1 ¹⁾

¹⁾ See table page 40 and 41 (column Dimensional drawings)

- Use in ZS8.4
- 12 kV, ...1250 A, ...25 kA
- 17.5 kV, ...1250 A, ...20 kA

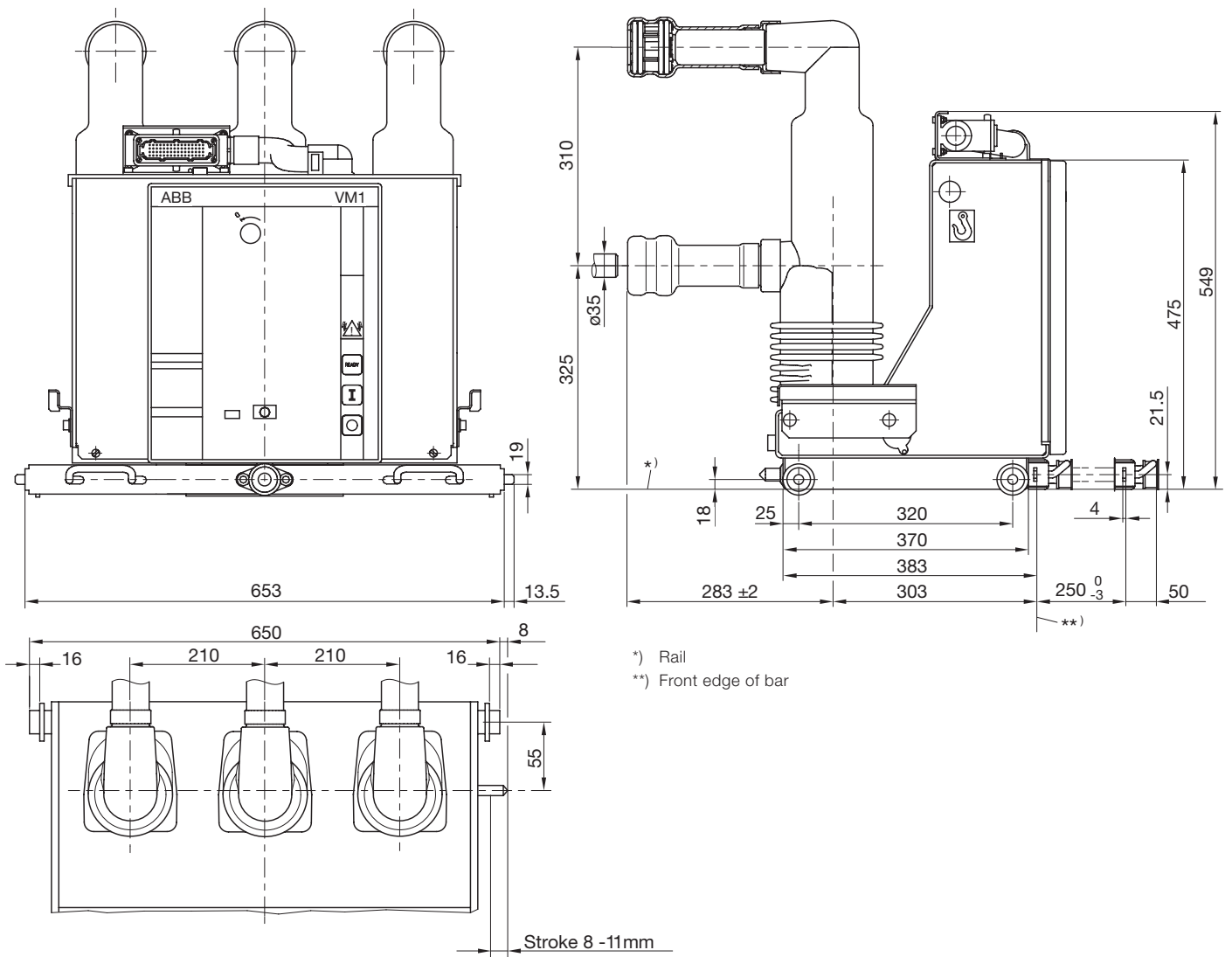


Figure 10/9: Vacuum circuit-breaker on withdrawable part, type VM1 ¹⁾

- Use in ZS8.4, with or without tee-off partitioning
- 24 kV, ...1250 A, ...25 kA

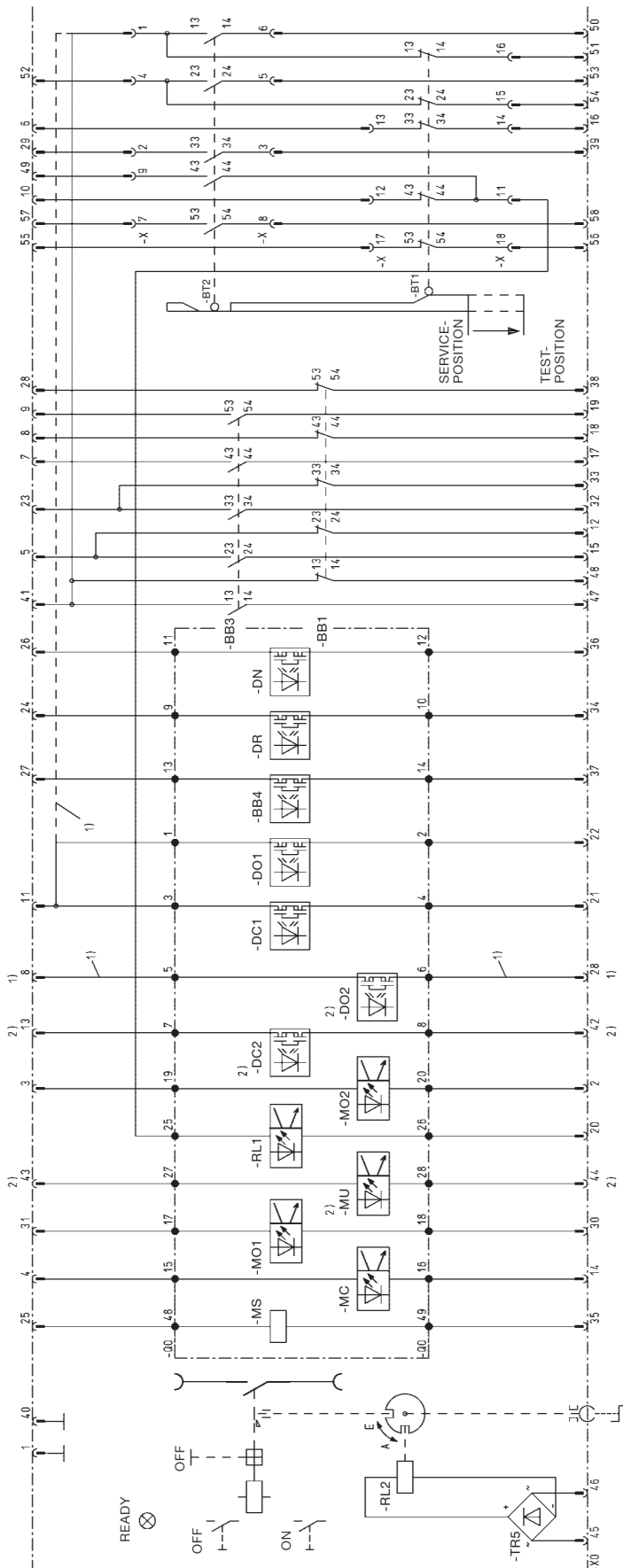
¹⁾ See table page 40 and 41 (column Dimensional drawings)

10.3.3 Wiring diagrams for C.B. on withdrawable part

Note:

The wiring diagrams comprise the basic components and all further equipment options for the various VM1 types. The scope of

equipment possible within an individual type series is listed in the relevant switchgear list, and the equipment fitted in each individual case can be found in the order documentation.



- MS Supply voltage
- RL2 Blocking magnet for withdrawable part with rectifier -TR5
- RL1 Closing lock-out (closed circuit)
- MO1 Switching command OFF 1 (open circuit)
- MC Switching command ON (open circuit)
- MU Undervoltage release (closed circuit)
- MO2 Switching command OFF 2 (open circuit)
- BB1 Auxiliary switch on the actuating shaft
- BB3 Auxiliary switch on the actuating shaft
- BB4 Fleeting contact (100 ms)
- BT2 Limit switch for withdrawable part in test position
- BT1 Limit switch for withdrawable part in service position
- DR READY for operation (NOC)
- DN NOT READY for operation (NCC)
- DO1 OFF signal (NOC)
- DC1 ON signal (NOC)
- DO2 OFF-Signal (NOC) (Full version)
- DC2 ON-Signal (NOC) (Full version)

See page 52 for comparison of IEC/VDE designations.

Mode of presentation:

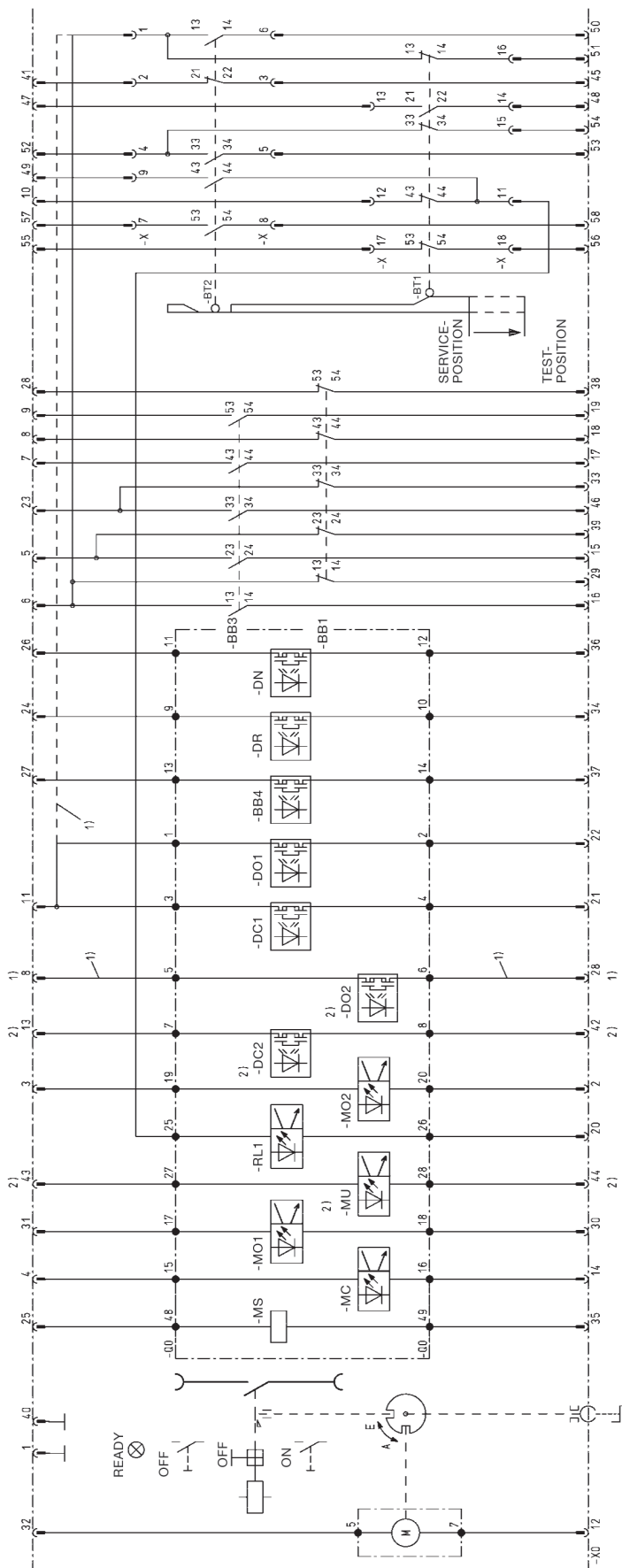
- 1) Connection exists when auxiliary switches -BB1 and -BB3 are not used
- 2) Full version

Note:

If the READY contact -DR is to be polled, the wiring diagram of the panel should include the information that this contact is already connected to blocking magnet -RL2 and is therefore not isolated.

Figure 10/10: Wiring diagram for VM1 vacuum circuit-breaker on manually movable withdrawable assembly.

- Maximum of equipment
- Control wiring plug 58-pole
- Use in panel system ZS1, UniGear-Type ZS1, UniSafe, Power-bloc and Mounting frame



- MS Supply voltage
- RL1 Closing lock-out (closed circuit)
- MO1 Switching command OFF 1 (open circuit)
- MC Switching command ON (open circuit)
- MU Undervoltage release (closed circuit)
- MO2 Switching command OFF 2 (open circuit)
- BB1 Auxiliary switch on the actuating shaft
- BB3 Auxiliary switch on the actuating shaft
- BB4 Fleeting contact (100 ms)
- BT2 Limit switch for withdrawable part in test position
- BT1 Limit switch for withdrawable part in service position
- DR READY for operation (NOC)
- DN NOT READY for operation (NCC)
- DO1 OFF signal (NOC)
- DC1 ON signal (NOC)
- DO2 OFF-Signal (NOC) (Full version)
- DC2 ON-Signal (NOC) (Full version)

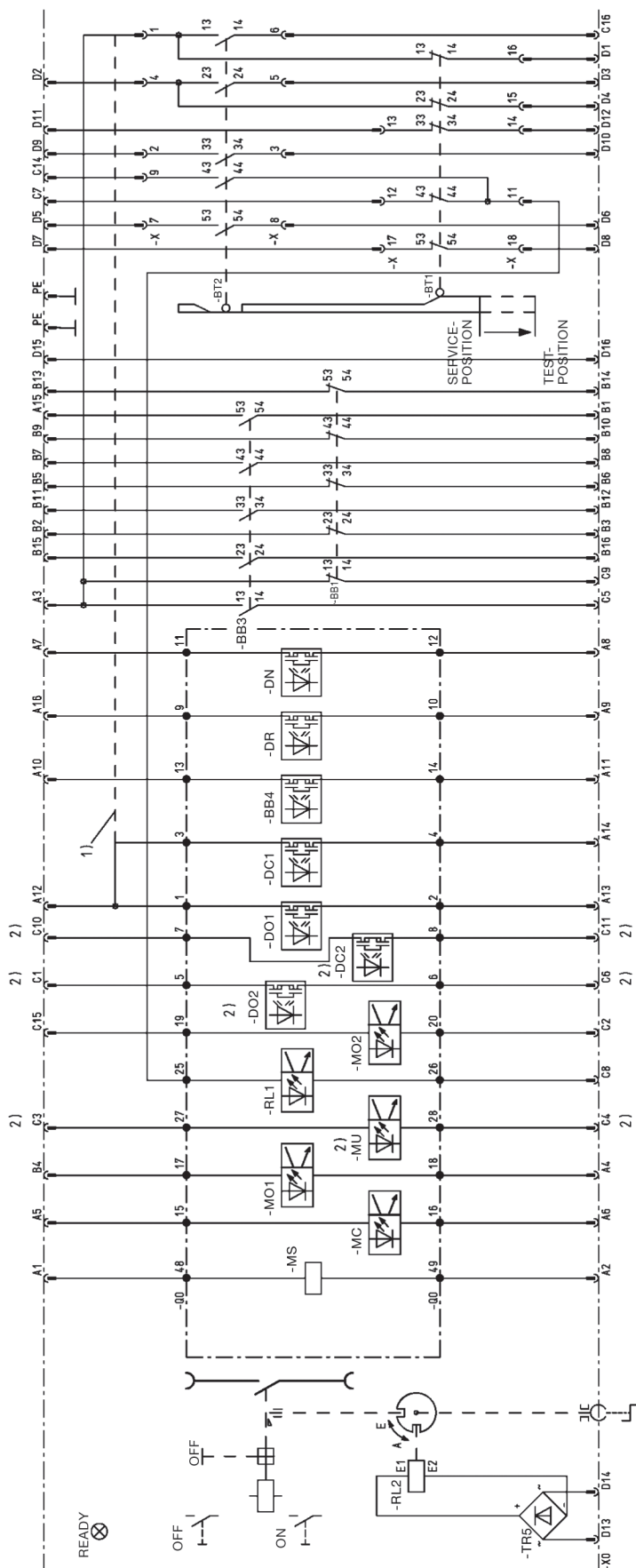
See page 52 for comparison of IEC/VDE designations

Mode of presentation:

- 1) Connection exists when auxiliary switches -BB1 and -BB3 are not used
- 2) Full version

Figure 10/11: Wiring diagram for VM1 vacuum circuit-breaker on motor-driven withdrawable assembly.

- Maximum of equipment
- Control wiring plug 58-pole
- Use in panel system ZS1, UniGear-Type ZS1, UniSafe, Power-bloc and Mounting frame



- MS Supply voltage
- RL2 Blocking magnet for withdrawable part with rectifier -TR5
- RL1 Closing lock-out (closed circuit)
- MO1 Switching command OFF 1 (open circuit)
- MC Switching command ON (open circuit)
- MU Undervoltage release (closed circuit)
- MO2 Switching command OFF 2 (open circuit)
- BB1 Auxiliary switch on the actuating shaft
- BB3 Auxiliary switch on the actuating shaft
- BB2 Fleeting contact (100 ms)
- BT2 Limit switch for withdrawable part in test position
- BT1 Limit switch for withdrawable part in service position
- DR READY for operation (NOC)
- DN NOT READY for operation (NCC)
- DO1 OFF signal (NOC)
- DC1 ON signal (NOC)
- DO2 OFF-Signal (NOC) (Full version)
- DC2 ON-Signal (NOC) (Full version)

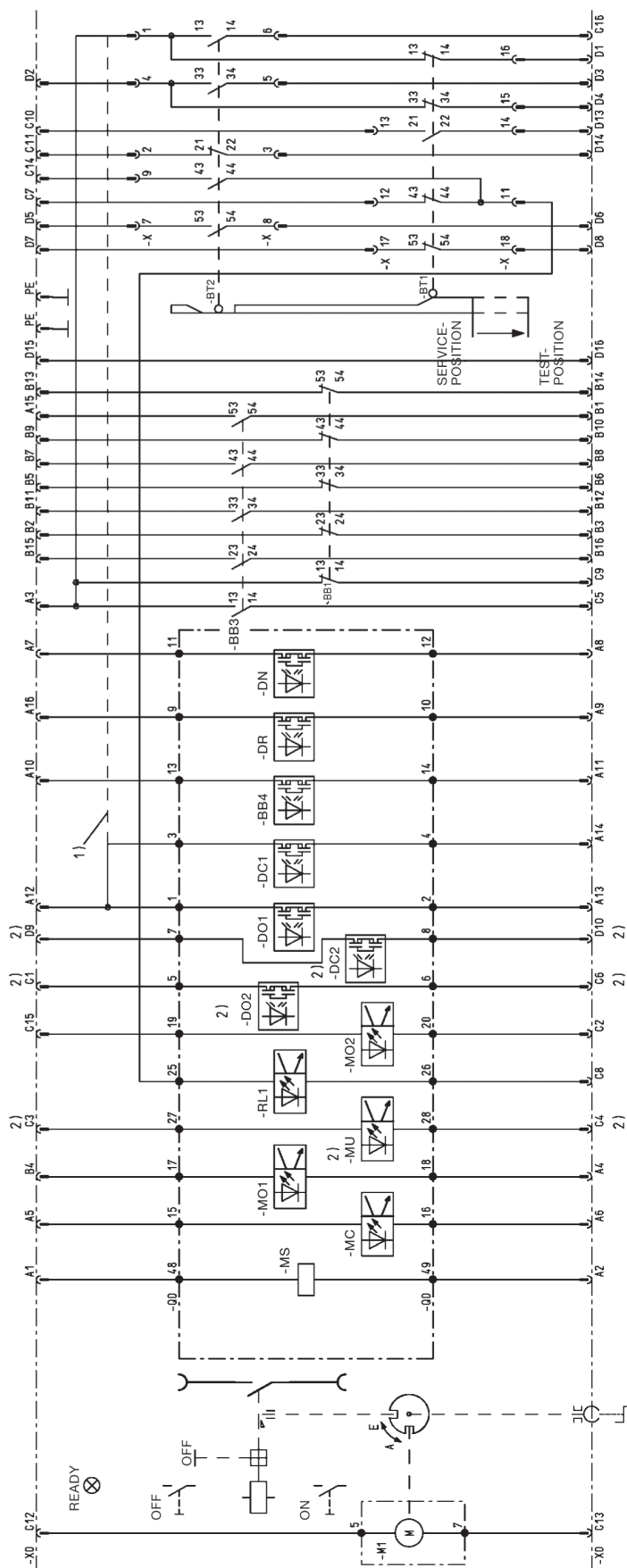
See page 52 for comparison of IEC/VDE designations.

Mode of presentation:

- 1) Connection exists when auxiliary switches -BB1 and -BB3 are not used
- 2) Full version

Figure 10/12: Wiring diagram for VM1 vacuum circuit-breaker on manually movable withdrawable assembly.

- Maximum of equipment
- Control wiring plug 64-pole
- Use in panel system ZS8.4



- MS Supply voltage
- RL1 Closing lock-out (closed circuit)
- MO1 Switching command OFF 1 (open circuit)
- MC Switching command ON (open circuit)
- MU Undervoltage release (closed circuit)
- MO2 Switching command OFF 2 (open circuit)
- BB1 Auxiliary switch on the actuating shaft
- BB3 Auxiliary switch on the actuating shaft
- BB4 Fleeting contact (100 ms)
- BT2 Limit switch for withdrawable part in test position
- BT1 Limit switch for withdrawable part in service position
- DR READY for operation (NOC)
- DN NOT READY for operation (NCC)
- DO1 OFF signal (NOC)
- DC1 ON signal (NOC)
- DO2 OFF-Signal (NOC) (Full version)
- DC2 ON-Signal (NOC) (Full version)

See page 52 for comparison of IEC/VDE designations.

Mode of presentation:

- 1) Connection exists when auxiliary switches -BB1 and -BB3 are not used
- 2) Full version

Figure 10/13: Wiring diagram for VM1 vacuum circuit-breaker on motor-driven withdrawable assembly.

- Maximum of equipment
- Control wiring plug 64-pole
- Use in panel system ZS8.4

11 Comparison of designations to IEC 61346-1 / 61346-2, IEC 81346-1 / 81346-2 and VDE-DIN 40719 Part 2

Description	IEC 61346-1 / 61346-2	IEC 81346-1 / 81346-2	VDE DIN 40719 Part 2
Supply voltage	-MS	-MAS	-GO
Blocking magnet for withdrawable part with rectifier -V0	-RL2	-RLE2	-Y0
Closing lock-out (closed circuit)	-RL1	-RLE1	-Y1
Switching command OFF 1 (open circuit)	-MO1	-MBO1	-Y2
Switching command ON (open circuit)	-MC	-MBC	-Y3
Undervoltage release (closed circuit)	-MU	-MBU	-Y4
Switching command OFF 2 (open circuit)	-MO2	-MBO2	-Y9
Auxiliary switch on the actuating shaft	-BB1	-BGB1	-S3
Auxiliary switch on the actuating shaft	-BB3	-BGB3	-S5
Fleeting contact (100 ms)	-BB4	-BGB4	-S7
Limit switch for withdrawable part in test position	-BT2	-BGT2	-S8
Limit switch for withdrawable part in service position	-BT1	-BGT1	-S9
READY for operation (NOC)	-DR	-BGB31	-S11
NOT READY for operation (NCC)	-DN	-BGB32	-S12
OFF signal (NOC)	-DO1	-BGB41	-S41
ON signal (NOC)	-DC1	-BGB42	-S42
OFF-Signal (NOC) (Full version)	-DO2	-BGB43	-S43
ON-Signal (NOC) (Full version)	-DC2	-BGB44	-S44

Contact us

ABB AG

Calor Emag Medium Voltage Products

Oberhausener Strasse 33

40472 Ratingen, Germany

Phone: +49(0)21 02/12-0

Fax: +49(0)21 02/12-17 77

E-Mail: powertech@de.abb.com

www.abb.com/mediumvoltage

Note:

We reserve the right to make technical changes or modify the contents of this document without prior notice. With regard to purchase orders, the agreed particulars shall prevail. ABB AG does not accept any responsibility whatsoever for potential errors or possible lack of information in this document.

We reserve all rights to this document and in the subject matter and illustrations contained therein. Any reproduction, disclosure to third parties or utilization of its contents – in whole or in parts – is forbidden without prior written consent of ABB AG.

Copyright© 2012 ABB

All rights reserved



GCEA67504P0102