

We reserve all rights in this document and in the information contained therein. Reproduction, use or disclosure to third parties without express authority is strictly forbidden. © ABB 19

Pos. Lage	R connects förbinder	H connects förbinder
1	17-18	1-20
2		2-20
3		3-20
4		4-20
5		5-20
6		6-20
7		7-20
8		8-20
9		9-20
10		10-20
11		11-20
12		12-20
13		13-20
14		14-20
15		15-20
16A		16-20
16	17-19	17-20
16B		1-20
16C		2-20
17		3-20
18		4-20
19		5-20
20		6-20
21		7-20
22		8-20
23		9-20
24		10-20
25		11-20
26		12-20
27		13-20
28		14-20
29	15-20	
30	16-20	
31	16-20	

A position with letter is a through position and gives the same voltage as the normal position.

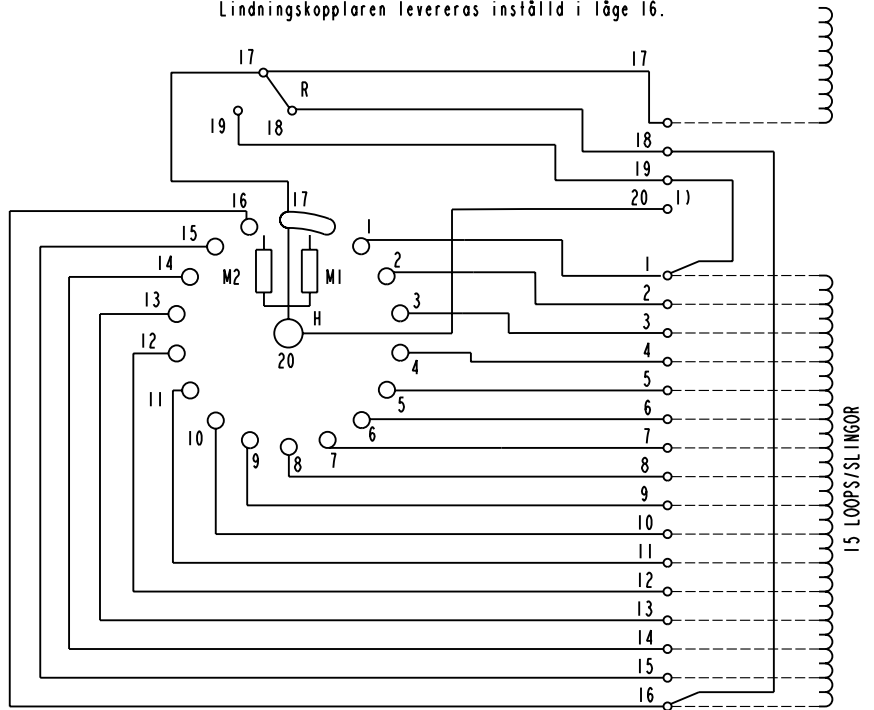
Läge med bokstav är ett genomloppsläge och ger samma spänning som normalläget.

1) Connections between the terminals 20 of the three phases are included in the star-point type.

Förbindningar mellan uttag 20 i de tre faserna ingår i nollpunktsutförandet.

On-load tap-changer type UZER., UZFR., 31 tap positions, plus/minus switching. Min effective No. of turns in pos. 1. The tap-changer is delivered set in pos. 16.

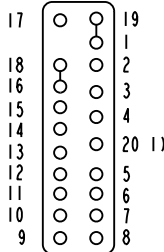
Lindningskopplare typ UZER., UZFR., 31 lägen, plus/minus-koppling. Min antal effektiva varv i läge 1. Lindningskopplaren levereras inställd i läge 16.



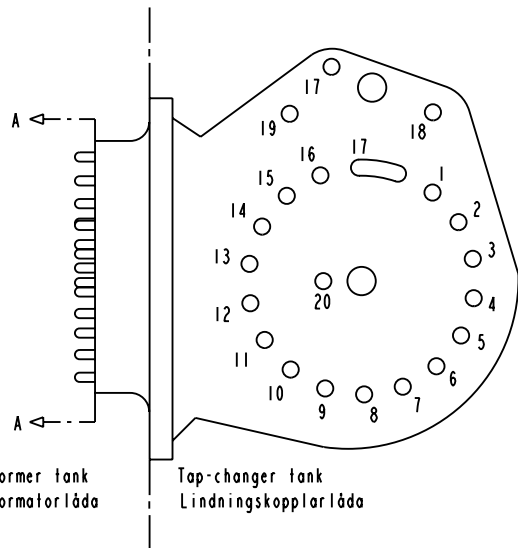
The tap-changer is shown in pos. 16
Lindningskopplaren visad i läge 16

- R Change-over selector Plus/minus-omkopplare
- H Main contact Huvudkontakt
- M1, M2 Transition contacts Motståndskontakter

Terminal board Plint



Section A-A
Sektion A-A



Transformer tank
Transformatorlåda

Tap-changer tank
Lindningskopplarlåda

Sheet	Cont
Year	Week
Dept	
Rev In	Revision
Appd	Year Week
Rev In	Accepted for prod by
Design checked by	Design checked by
Issued by	Dept Year Week



Asea Brown Boveri

Description (English)		DATA ORIGINAL	
CONNECTION DIAGRAM		File name	
Description (own language)		0397-12	
KOPPLINGSSCHEMA		Lang	Sheet
			1
		Rev In	Cont
			-

5492 0397-12