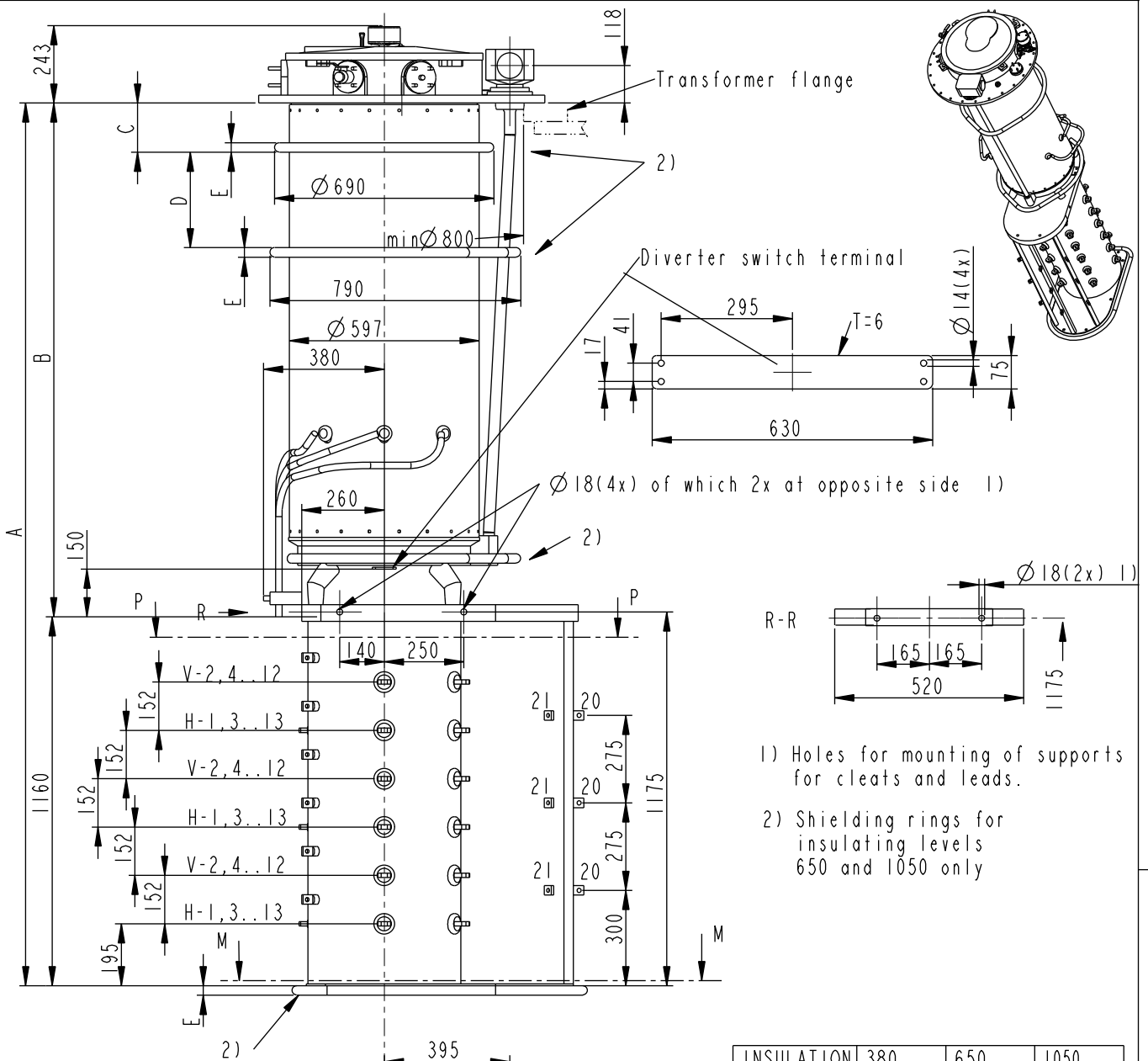


We reserve all rights in this document and in the information contained therein. Reproduction, use or disclosure to third parties without express authority is strictly forbidden. ©ABB

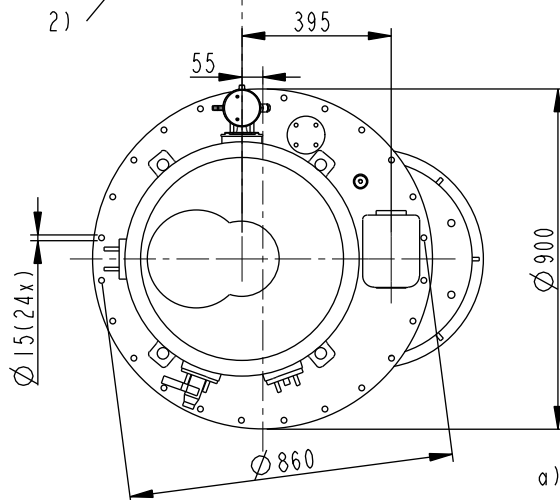


1) Holes for mounting of supports for cleats and leads.

2) Shielding rings for insulating levels 650 and 1050 only

INSULATION LEVEL kV	380	650	1050
A	2575 a)	2775 a)	2975 a)
B	1415 a)	1615 a)	1815 a)
C	-	155 a)	158 a)
D	-	300	494
E	-	30	36
H	-	930	936
J	-	290	293
K	-	580	586

a) For mounting on active part use A+85, B+85 and C+85 (See also Drawing 54920086-1)



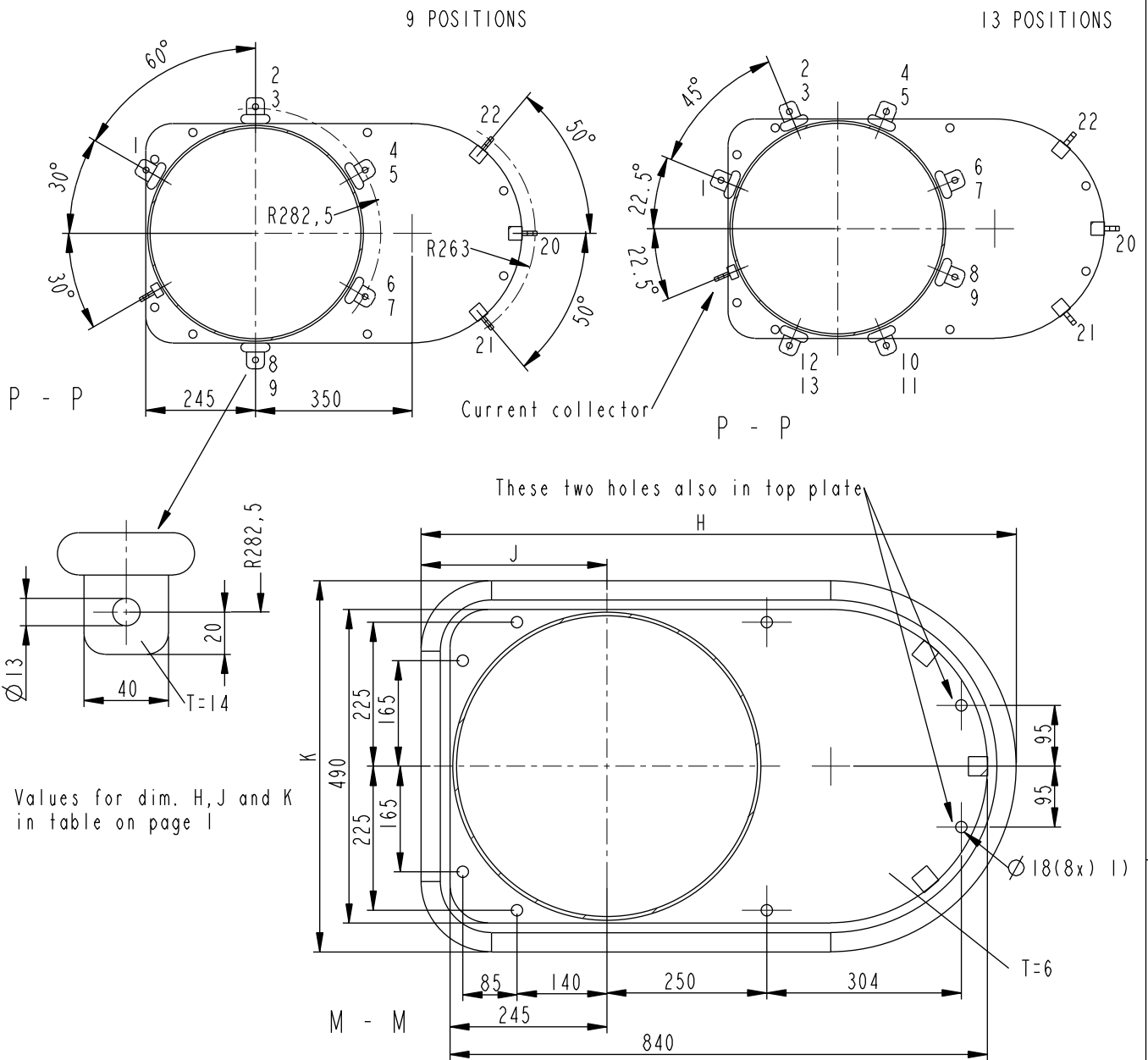
Based on	Reg. No.	Title	
Prepared B Hultgren 96-09-11	Responsible department COM/TK	TAP-CHANGER UCLR AND UCLD	
Approved M Eriksson	Take over department	UCL.N XXXX/600/111	Language en
Revision Rev 4 06-10-06	Database DIMENSION_DWGS	9,13 pos	Page 1(2)
ABB Components		Document No.	54920085-9

Inspection engineering review

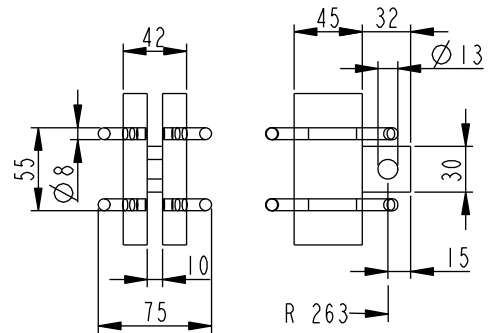
Production engineering review

Design engineering review

We reserve all rights in this document and in the information contained therein. Reproduction, use or disclosure to third parties without express authority is strictly forbidden. ©ABB



**ADDITIONAL DRAWINGS:**  
 Connection Diagrams: See Technical Guide UC  
 Mounting on active part: 54920086-1  
 Accessories: 54920086-2  
 Motor Drive BUL: 54830001-1  
 Motor Drive BUE: 54830001-2 or -3  
 External Drive Shaft: 54920083-4  
 Pressure Relay: 54920083-2  
 Bevel Gear: 54920083-1



Inspection engineering review	Production engineering review	Based on	Reg. No.	Title	 Language en
Design engineering review	Prepared B Hultgren 96-09-11	Responsible department COM/TK	Take over department	TAP-CHANGER UCLR AND UCLD UCL.N XXXX/600/111	
Approved M Eriksson	Revision Rev.4 06-10-06	Database DIMENSION_DWGS	Document No.	54920085-9	
		<b>ABB Components</b>		Page 2(2)	