

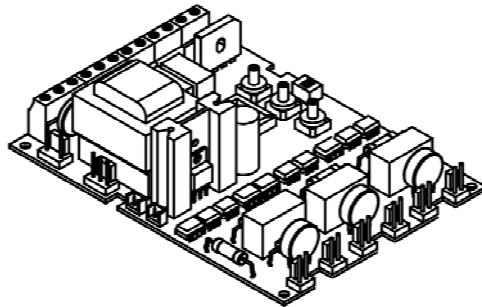


**Contents**

1. Printed circuit boards .....	2
2. Cooling fan .....	3
3. Display .....	3
4. Keypad .....	3
5. Thyristors .....	4
6. Kit for changing thyristors .....	5
7. Semiconductor fuses and holders type Bussmann .....	6
8. Current transformer .....	7
9. HMI Module .....	8

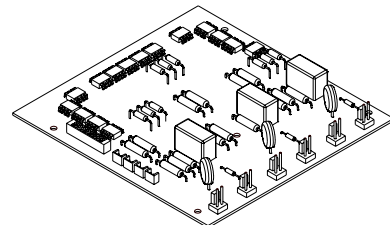
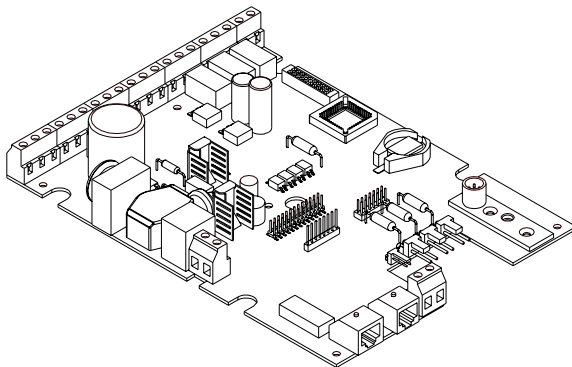
## Catalogue numbers to be used when ordering spare parts

### 1. Printed circuit boards



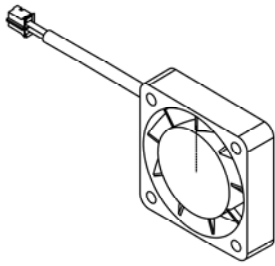
Softstart Type	Main PCB 230 – 500V	Type	Main PCB 380 – 690V	Type
	Order code		Order code	
PSS18 – 300 (1)	1SFA 899020R1500	PSPCB-500/S	1SFA 899020R1690	PSPCB-690/S
PSS18 – 300...C (2)	1SFA 899020R2500	PSPCB-500C/S	1SFA 899020R2690	PSPCB-690C/S

(1 Printed circuit board with fault signal contact normally open (NO)  
 (2 Printed circuit board with fault signal contact normally closed (NC))

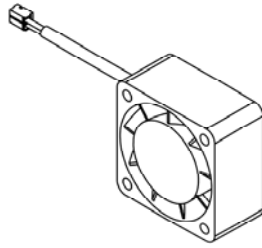


Softstart Type	LV board	Type	HV board 230 – 690V	Type
	Order code		Order code	
PST30...300 PSTB370...1050	1SFA 899020R7000	PSPCB-LV/T	1SFA 899020R7690	PSPCB-690/T
PST30-T...300-T PSTB370-T...1050-T	1SFA 899020R7020	PSPCB-LV/T-T	1SFA 899020R7691	PSPCB-690/T-T

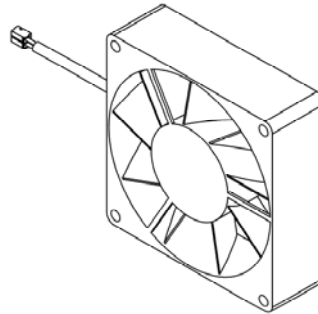
## 2. Cooling fan



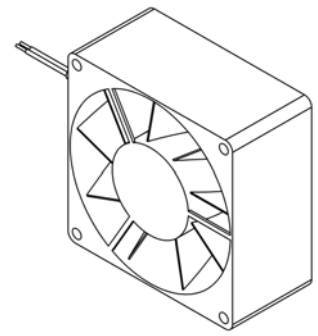
Picture 1



Picture 2



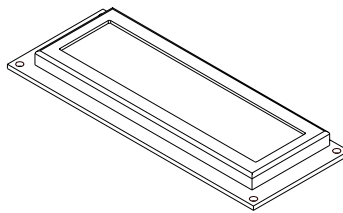
Picture 3



Picture 4

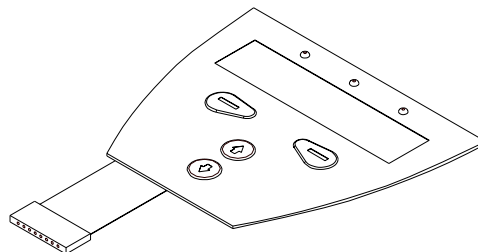
Softstart Type		pcs. per softstart unit	Order code	Type	Picture
PSS18...44	500 V	1	1SFA 899015R1012	PSFA-12	1
PSS50...72	500 V	2	1SFA 899015R1012	PSFA-12	1
PSS18...72	690 V	2	1SFA 899015R1012	PSFA-12	1
PSS85...142	500/690 V	2	1SFA 899015R1115	PSFA-115	4
PSS175...300	500/690 V	4	1SFA 899015R1115	PSFA-115	4
PST30...72	500/690 V	2	1SFA 899015R7024	PSFA-024	2
PST85...142	500/690 V	2	1SFA 899015R7224	PSFA-224	3
PST175...300	500/690 V	4	1SFA 899015R7224	PSFA-224	3
PSTB370...1050	500/690 V	3	1SFA 899015R7224	PSFA-224	3

## 3. Display



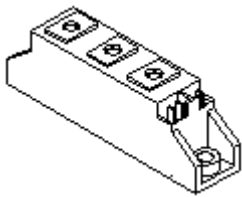
Softstart Type		pcs. per softstart unit	Order code	Type
PST30...300		1	1SFA 899017R1000	PSDP-1
PSTB370...1050				

## 4. Keypad

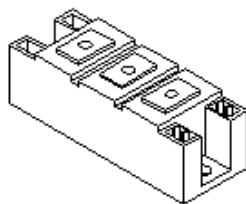


Softstart Type		pcs. per softstart unit	Order code	Type
PST30...300		1	1SFA 899018R1000	PSKP-1
PSTB370...1050				

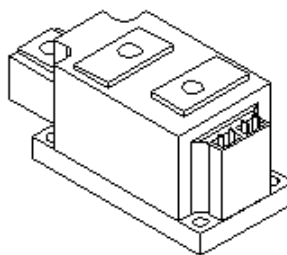
## 5. Thyristors



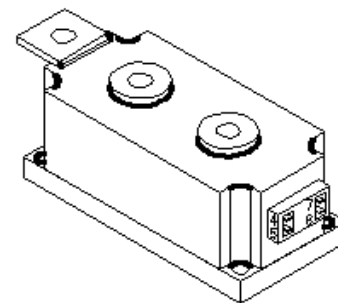
Picture 1



Picture 2

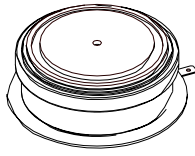


Picture 3

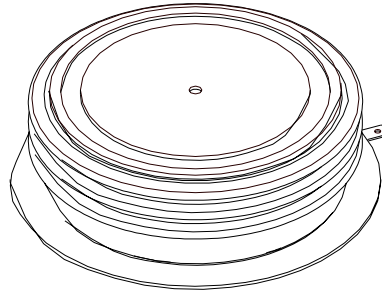


Picture 4

Softstart Type	pcs. per softstart unit	Thyristor <=600V Order code	Thyristor Type	Thyristor <=690V Order code	Thyristor Type	Picture
PSS18	3	1SFA 899010R1027	PSTM-27/16	1SFA 899011R1027	PSTM-27/18	1
PSS30	3	1SFA 899010R1042	PSTM-42/16	1SFA 899011R1042	PSTM-42/18	1
PSS37	3	1SFA 899010R1057	PSTM-57/16	1SFA 899011R1057	PSTM-57/18	1
PSS44	3	1SFA 899010R1092	PSTM-92/16	1SFA 899011R1092	PSTM-92/18	1
PSS50	3	1SFA 899010R1092	PSTM-92/16	1SFA 899011R1092	PSTM-92/18	1
PSS60	3	1SFA 899010R1132	PSTM-132/16	1SFA 899011R1132	PSTM-132/18	2
PSS72	3	1SFA 899010R1172	PSTM-172/16	1SFA 899011R1172	PSTM-172/18	2
PSS85	3	1SFA 899010R1172	PSTM-172/16	1SFA 899011R1172	PSTM-172/18	2
PSS105	3	1SFA 899010R1210	PSTM-210/16	1SFA 899011R1210	PSTM-210/18	3
PSS142	3	1SFA 899010R1250	PSTM-250/16	1SFA 899011R1250	PSTM-250/18	3
PSS175	3	1SFA 899010R1250	PSTM-250/16	1SFA 899011R1250	PSTM-250/18	3
PSS250	3	1SFA 899010R1500	PSTM-500/16	1SFA 899011R1500	PSTM-500/18	4
PSS300	3	1SFA 899010R1500	PSTM-500/16	1SFA 899011R1500	PSTM-500/18	4
PST30	3	1SFA 899010R1042	PSTM-42/16	1SFA 899011R1042	PSTM-42/18	1
PST37	3	1SFA 899010R1057	PSTM-57/16	1SFA 899011R1057	PSTM-57/18	1
PST44	3	1SFA 899010R1092	PSTM-92/16	1SFA 899011R1092	PSTM-92/18	1
PST50	3	1SFA 899010R1092	PSTM-92/16	1SFA 899011R1092	PSTM-92/18	1
PST60	3	1SFA 899010R1132	PSTM-132/16	1SFA 899011R1132	PSTM-132/18	2
PST72	3	1SFA 899010R1172	PSTM-172/16	1SFA 899011R1172	PSTM-172/18	2
PST85	3	1SFA 899010R1172	PSTM-172/16	1SFA 899011R1172	PSTM-172/18	2
PST105	3	1SFA 899010R1210	PSTM-210/16	1SFA 899011R1210	PSTM-210/18	3
PST142	3	1SFA 899010R1250	PSTM-250/16	1SFA 899011R1250	PSTM-250/18	3
PST175	3	1SFA 899010R1250	PSTM-250/16	1SFA 899011R1250	PSTM-250/18	3
PST210	3	1SFA 899010R1330	PSTM-330/16	1SFA 899011R1330	PSTM-330/18	3
PST250	3	1SFA 899010R1500	PSTM-500/16	1SFA 899011R1500	PSTM-500/18	4
PST300	3	1SFA 899010R1500	PSTM-500/16	1SFA 899011R1500	PSTM-500/18	4



Picture 1



Picture 2

Softstart Type	pcs. per softstart unit	Thyristor <=600V		Thyristor <=690V		Picture
		Order code	Type	Order code	Type	
PSTB370	6	1SFA 899008R1280	PSTP-280/16	1SFA 899009R1280	PSTP-280/18	1
PSTB470	6	1SFA 899008R1370	PSTP-370/16	1SFA 899009R1370	PSTP-370/18	1
PSTB570	6	1SFA 899008R1370	PSTP-370/16	1SFA 899009R1370	PSTP-370/18	1
PSTB720	6	1SFA 899008R1540	PSTP-540/16	1SFA 899009R1540	PSTP-540/18	2
PSTB840	6	1SFA 899008R1600	PSTP-600/16	1SFA 899009R1760	PSTP-760/18	2
PSTB1050	6	1SFA 899008R1990	PSTP-990/16	1SFA 899009R2400	PSTP-1400/18	2

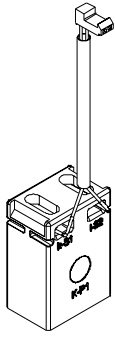
## 6. Kit for changing thyristors

Softstart Type	Kit for changing thyristors Order code	Type	Remark.
PSS18...300	1SFA 899012R1001	PSPB-1	Sufficient for replacing 10 thyristor blocks
PST30...300	1SFA 899012R1001	PSPB-1	Sufficient for replacing 10 thyristor blocks
PSTB370...1050	1SFA 899012R1002	PSPB-2	Sufficient for replacing 20 thyristor disc

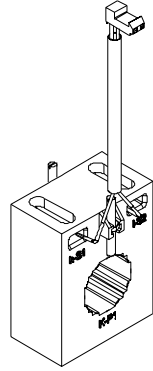
## 7. Semiconductor fuses and holders type Bussmann

Softstart Type	Main Voltage V	Fuses pcs. per softstart unit	Rating Current A	Bussmann				Holders
				Order code	Type	Type	Type	
PSS18	500/690	3	50	1SFA 899005R1364	PSFU-50	170M1364	1	
PSS30	500/690	3	80	1SFA 899005R1366	PSFU-80	170M1366	1	
PSS37	500/690	3	125	1SFA 899005R1368	PSFU-125	170M1368	1	
PSS44	500/690	3	160	1SFA 899005R1369	PSFU-160	170M1369	1	
PSS50	500/690	3	160	1SFA 899005R1369	PSFU-160	170M1369	1	
PSS60	500/690	3	200	1SFA 899005R1370	PSFU-200	170M1370	1	
PSS72	500/690	3	250	1SFA 899005R1371	PSFU-250	170M1371	1	
PSS85	500/690	3	315	1SFA 899005R1372	PSFU-315	170M1372	1	
PSS105	500/690	3	400	1SFA 899005R3019	PSFU-400	170M3019	2	
PSS142	500/690	3	450	1SFA 899005R3020	PSFU-450	170M3020	2	
PSS175	500/690	3	500	1SFA 899005R3021	PSFU-500	170M3021	2	
PSS250	500/690	3	700	1SFA 899005R5013	PSFU-700	170M5013	2	
PSS300	500/690	3	900	1SFA 899005R5015	PSFU-900	170M5015	2	
PST30	600/690	3	80	1SFA 899005R1366	PSFU-80	170M1366	1	
PST37	600/690	3	125	1SFA 899005R1368	PSFU-125	170M1368	1	
PST44	600/690	3	160	1SFA 899005R1369	PSFU-160	170M1369	1	
PST50	600/690	3	160	1SFA 899005R1369	PSFU-160	170M1369	1	
PST60	600/690	3	200	1SFA 899005R1370	PSFU-200	170M1370	1	
PST72	600/690	3	250	1SFA 899005R1371	PSFU-250	170M1371	1	
PST85	600/690	3	315	1SFA 899005R1372	PSFU-315	170M1372	1	
PST105	600/690	3	400	1SFA 899005R3019	PSFU-400	170M3019	2	
PST142	600/690	3	450	1SFA 899005R3020	PSFU-450	170M3020	2	
PST175	600/690	3	500	1SFA 899005R3021	PSFU-500	170M3021	2	
PST210	600/690	3	630	1SFA 899005R5012	PSFU-630	170M5012	2	
PST250	600/690	3	700	1SFA 899005R5013	PSFU-700	170M5013	2	
PST300	600/690	3	900	1SFA 899005R5015	PSFU-900	170M5015	2	
PSTB370	600/690	3	700	1SFA 899005R5013	PSFU-700	170M5013	2	
PSTB470	600/690	3	900	1SFA 899005R5015	PSFU-900	170M5015	2	
PSTB570	600/690	3	900	1SFA 899005R5015	PSFU-900	170M5015	2	
PSTB720	600/690	3	1250	1SFA 899005R5018	PSFU-1250	170M5018	2	
PSTB840	600/690	3	1500	1SFA 899005R6018	PSFU-1500	170M6018	2	
PSTB1050	600	3	1800	1SFA 899005R6020	PSFU-1800	170M6020	2	
PSTB1050	690	3	1600	1SFA 899005R6019	PSFU-1600	170M6019	2	

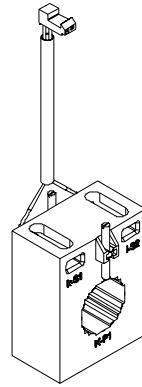
Holders Type	pcs. per softstart unit	Order code	Type	Bussmann Type
1	3	1SFA 899006R1007	PSFH-1	170H 1007
2	3	1SFA 899006R3004	PSFH-2	170H 3004



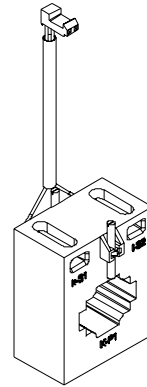
Picture 1



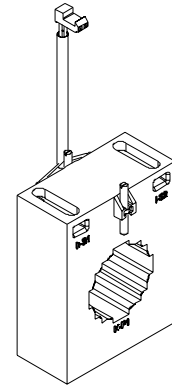
Picture 2



Picture 3



Picture 4

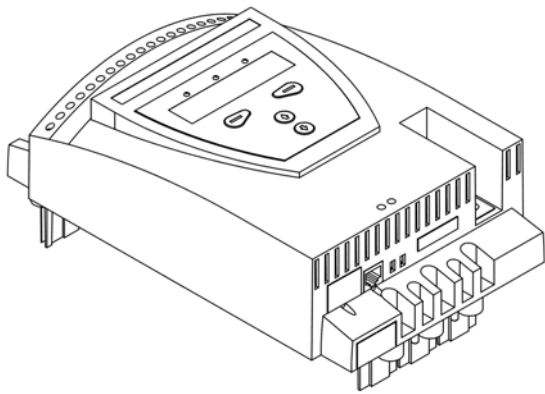


Picture 5

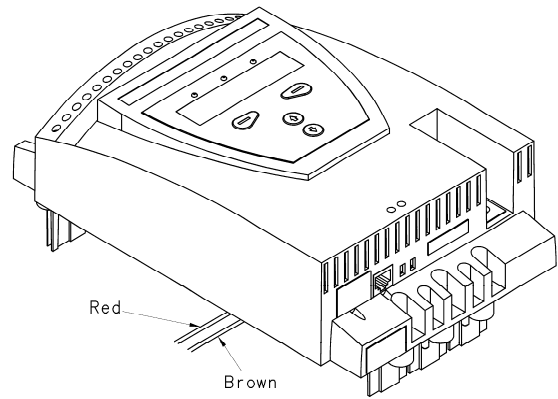
## 8. Current transformer

Softstart Type	Current transf.		Ratio	Order code	Type	Picture
	pcs.	Per softstart unit				
PSS18	1		30/1	1SFA 899001R1030	PSCT-30	1
PSS30	1		40/1	1SFA 899001R1040	PSCT-40	1
PSS37	1		50/1	1SFA 899001R1050	PSCT-50	1
PSS44	1		60/1	1SFA 899001R1060	PSCT-60	1
PSS50	1		75/1	1SFA 899001R1075	PSCT-75	1
PSS60	1		75/1	1SFA 899001R1075	PSCT-75	1
PSS72	1		100/1	1SFA 899001R1100	PSCT-100	1
PSS85	1		125/1	1SFA 899001R1125	PSCT-125	1
PSS105	1		150/1	1SFA 899001R1150	PSCT-150	1
PSS142	1		200/1	1SFA 899001R1200	PSCT-200	2
PSS175	1		250/1	1SFA 899001R1250	PSCT-250	2
PSS250	1		400/1	1SFA 899001R1400	PSCT-400	3
PSS300	1		400/1	1SFA 899001R1400	PSCT-400	3
PST30	3		30/1	1SFA 899001R1030	PSCT-30	1
PST37	3		40/1	1SFA 899001R1040	PSCT-40	1
PST44	3		50/1	1SFA 899001R1050	PSCT-50	1
PST50	3		50/1	1SFA 899001R1050	PSCT-50	1
PST60	3		60/1	1SFA 899001R1060	PSCT-60	1
PST72	3		75/1	1SFA 899001R1075	PSCT-75	1
PST85	3		100/1	1SFA 899001R1100	PSCT-100	1
PST105	3		125/1	1SFA 899001R1125	PSCT-125	1
PST142	3		150/1	1SFA 899001R1150	PSCT-150	1
PST175	3		200/1	1SFA 899001R1200	PSCT-200	2
PST210	3		250/1	1SFA 899001R1250	PSCT-250	2
PST250	3		250/1	1SFA 899001R1250	PSCT-250	2
PST300	3		300/1	1SFA 899001R1300	PSCT-300	2
PSTB370	3		400/1	1SFA 899001R1400	PSCT-400	3
PSTB470	3		500/1	1SFA 899001R1500	PSCT-500	3
PSTB570	3		600/1	1SFA 899001R1600	PSCT-600	4
PSTB720	3		750/1	1SFA 899001R1750	PSCT-750	4
PSTB840	3		1000/1	1SFA 899001R2000	PSCT-1000	5
PSTB1050	3		1200/1	1SFA 899001R2200	PSCT-1200	5

## 9. HMI Module



Picture 1



Picture 2

Softstart Type	pcs. per softstart unit	Order code	Type	Picture
PST30...300	1	1SFA 899019R7001	PSHMI-1	1
PSTB370...1050	1	1SFA 899019R7002	PSHMI-2	2
PST30-T...300-T	1	1SFA 899019R7021	PSHMI-1-T	1
PSTB370-T...1050-T	1	1SFA 899019R7022	PSHMI-2-T	2







---

**ABB AB, CEWE-Control**

S-721 61 Västerås, SWEDEN

Telephone +46 21 32 07 00

TELEFAX +46 21 12 60 01