 ABB AG	DCT880 DCT880 T6 New cooling fan R2E250-RE04-10	Hardware Hint HW DCT880 3ADW000782R0101
	Date: 19.11.2021	Name: Thomas Vinz

Types concerned	
	DCT880 unit size T6.

Summary	
	DCT880 unit size T6 have been equipped with the new cooling fan R2E250-RE04-10 due to ErP 2020 regulations of the EU. The type code of the concerned units has also been adapted. This document describes the adaptations.

Type code			
	The thyristor power controller's type code: DCT880-aab-cccc-ddef		
	Product family:	DCT880	
	Product type:	aa	= W0 Standard
	Power part type:	b	= 2 Two-leg anti-parallel circuit
			= 3 Three-leg anti-parallel circuit
	Unit type:	cccc	= Rated AC current (RMS) per leg
	Rated AC voltage:	dd	= 04 110 V _{AC} ... 415 V _{AC}
			= 05 110 V _{AC} ... 500 V _{AC} (IEC)/525 V _{AC} (UL)
			= 07 315 V _{AC} ... 690 V _{AC}
			= 08 360 V _{AC} ... 800 V _{AC}
			= 10 450 V _{AC} ... 990 V _{AC}
	Power connection:	e	= X Standard
	Revision code:	f	= 0 With SDCS-PIN-H11
			= A With SDCS-PIN-H11A
			= B T5: New cooling fan R2E250-RE04-10
			= S T6: Special design
			= T T6: Special design and new cooling fan R2E250-RE04-10

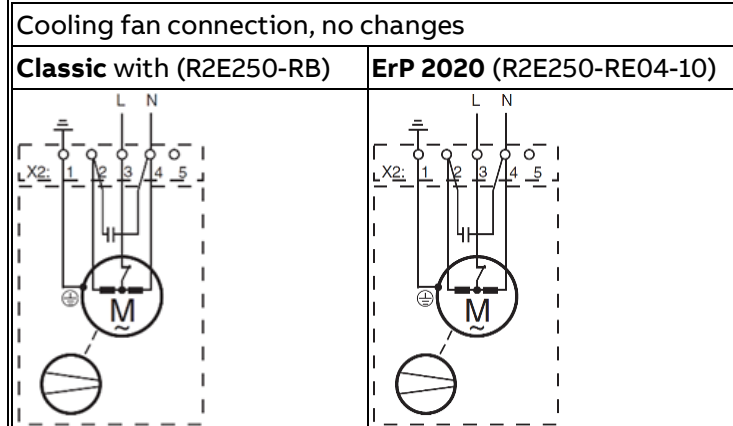
Cooling fan (R2E250-RE04-10)

The unit size T6 is now equipped with an ErP 2020 compliant cooling fan (R2E250-RE04-10). The ErP 2020 regulations enforce a reduction of fan losses.

The ErP 2020 compliant cooling fan is built on a backward curved impeller. This is the most energy saving design and latest technology not using an inverter. The cooling fan is equipped with a single-phase 230 V_{AC} motor, which is the most suitable voltage supply configuration all over the world. The fan is located inside the unit on the bottom. The cooling fan can be easily removed.

ErP 2020 compliant cooling fan	R2E250-RE04-10 (3ADT754047P0001)	
Rated voltage [V _{AC}]	230; 1~	
Tolerance [%]	+10/-15	
Frequency [Hz]	50	60
Power consumption [W]	220	348
Current consumption [A]	1.00	1.57
Blocking current [A]	2.5	2.4
Air flow [m ³ /h] at working point	800 0.9 A	850 1.5 A
Max. ambient temperature [°C]	< 80	< 50
Useful lifetime of grease	approximately 40000 h at 40°C	
Protection	Internal connected temperature detector	

T6 unit



Note: The ErP 2020 compliant cooling fan is a suitable spare part for units with a classic cooling fan. Classic and ErP 2020 compliant cooling fans are electrically and mechanically compatible.

Parts list		
	Units DCT880-W0b-1300-0dXS are equipped with the classic cooling fan. Units DCT880-W0b-1300-0dXT are equipped with the ErP 2020 compliant cooling fan.	
	Unit with classic cooling fan (R2E250-RB)	Unit with ErP 2020 compliant cooling fan (R2E250-RE04-10)
	DCT880-W0b-1300-04XS	DCT880-W0b-1300-04XT
	DCT880-W0b-1300-05XS	DCT880-W0b-1300-05XT
	DCT880-W0b-1300-07XS	DCT880-W0b-1300-07XT

Change		
	<p>The ErP 2020 compliant cooling fan is used since:</p> <p>Date of change: 17th of February 2022.</p> <p>Serial number of change: 0393142P21520017.</p>	