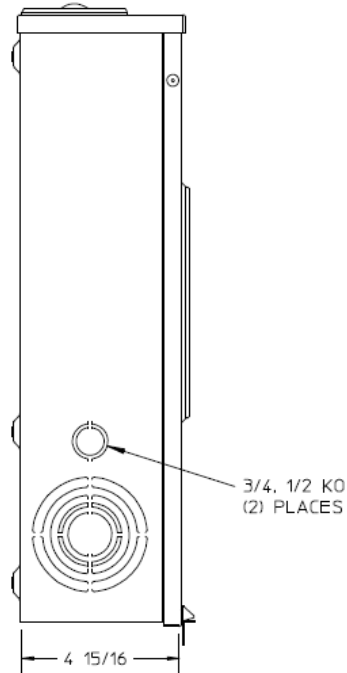
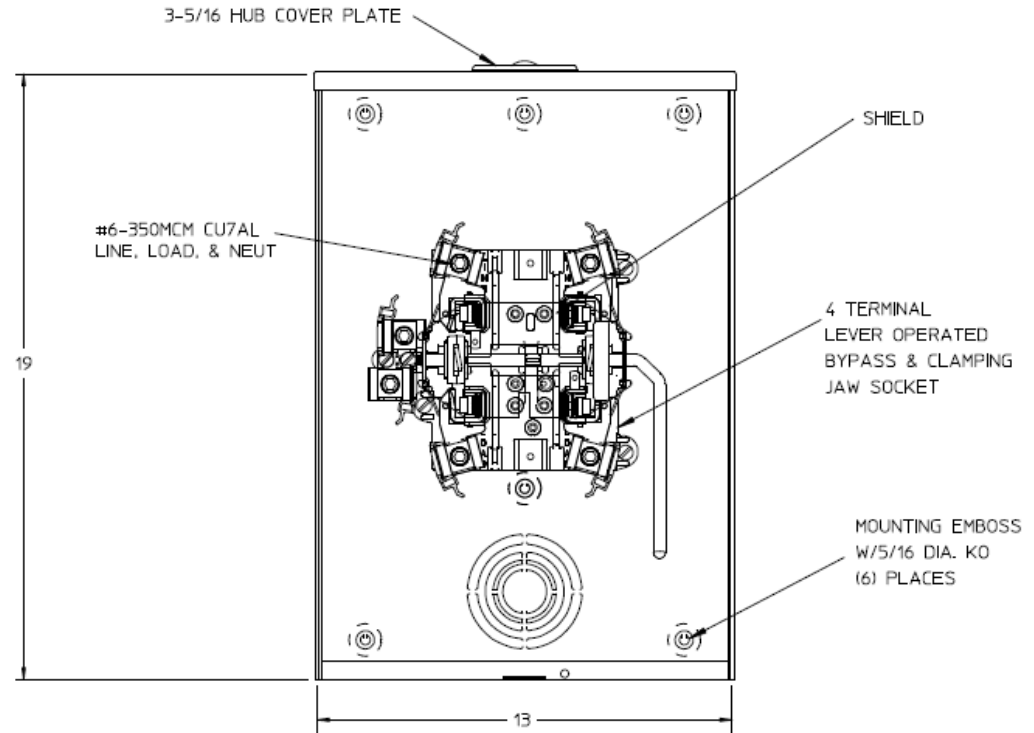


### Left Side View



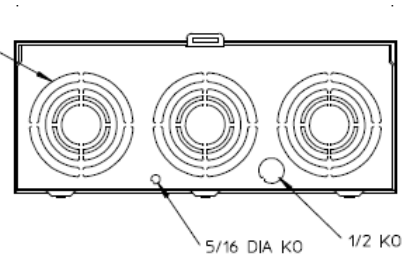
### Front View Interior



### Notes

- 1) FINISH: GRAY
  - 2) CABINET: 16 GA GALV. STEEL
  - 3) 200 AMP CONTINUOUS  
600 VAC, 1 PHASE, 3-WIRE  
200 AMP BYPASS
  - 4) UNIT SUPPLIED WITH "AE" STAMPED  
ON UPPER RIGHT HAND SIDE OF CABINET.
  - 5) UNIT SUPPLIED WITH INHIBITOR
  - 6) TEMPORARY CARDBOARD METER  
OPENING COVER PROVIDED.
  - 7) MIDWEST LABEL ATTACHED TO  
END OF THE CARTON.
  - 8) MIDWEST LOGO STAMPED IN THE  
LOWER LEFT-HAND CORNER OF FRONT.
- 3, 2-1/2, 2, 1-1/2, 1-1/4, 1 KO  
(6) PLS

### Bottom View



METER SOCKET-(1) 200A 600V 1P3W 16GA STL N3R 4-  
TERM LEVER BYPASS SMALL HUBCVRPLT TOP/BOT  
FEED AUSTIN ENERGY

CAT NO	DWG DATE	REV #
1006352CMEP	05/22/2018	01