

Digitric 100

Versatile, universal
controller for all
standard applications

Installation, commissioning,
configuration, parameterization,
and operation

Manual

42/61-10010 EN

Rev. 02



Digitric 100

Versatile, universal controller for all standard applications

Manual
Document No. 42/61-10010 EN

Edition: 05.02
Revision: 02

Manufacturer:
ABB Automation Products GmbH
Höseler Platz 2
42579 Heiligenhaus
Germany

Phone: +49 2056 12-5181
Fax: +49 2056 12-5081

© Copyright 2002 by ABB Automation Products GmbH
Subject to technical changes.

This technical documentation is protected by copyright. Translating, photocopying and disseminating it in any form whatsoever - even editings or excerpts thereof - especially as reprint, photomechanical or electronic reproduction or storage on data processing systems or networks is not allowed without the permission of the copyright owner and non-compliance will lead to both civil and criminal prosecution.

Table of contents	Page
Preface	9
Delivery state	9
Switching on the device	9
1 How to use this instruction	10
1.1 Visual orientation hints	10
1.2 Hints for the configuration and parameterization tables	10
1.3 Hints for the configuration menu	11
2 General safety instructions	12
3 Description and application	13
3.1 Description	13
3.2 Basic unit	13
3.3 Operating and indicator elements on the front panel	13
3.4 Programmer	14
3.5 Controller outputs	14
3.6 Parameterization	14
3.7 Configuration	14
4 Installing Digitric 100	15
4.1 Identifying the device	15
4.2 Choosing the installation site	15
4.3 Mounting	16
4.3.1 Panel cutout	16
4.3.2 Mounting instructions	17
5 Connecting Digitric 100	19
5.1 Signal connections of the basic unit	19
5.2 Signal connections for modules and PC	21
5.3 Connecting the power supply	31
6 Retrofitting	34
6.1 Safety instructions in accordance with DIN VDE	34
6.2 Mounting the module	34

6.2.1	Assembling of a module	35
6.3	Modifying modules	42
6.4	Adding input AI02	43
6.5	Disabling the password	44
6.6	Updating the firmware	44
7	Operation	45
7.1	Operating elements on the Digitric 100 front panel	45
7.2	LC Display	46
7.3	Alarm handling	49
7.4	Automatic mode (A)	50
7.5	Manual mode (M)	51
7.6	Setpoints	52
7.7	Ratio controller	53
7.8	Programmer	55
7.8.1	Selecting the program	55
7.8.2	Starting the program	55
7.8.3	Displays during program execution	56
7.8.4	Stopping the program	57
7.8.5	Fast forward/backward	58
7.9	DDC control	59
7.9.1	Resetting (cancelling) the program	59
7.10	Stations	61
7.10.1	Manual station	61
7.10.2	Setpoint station	62
7.10.3	Ratio station	62
7.10.4	Positioner	63
7.11	Remote control (Profibus or Modbus)	63
8	Error information on the display	64
9	Menu structure	66
9.1	Indication 2	68
9.1.1	Parameter display	68
9.1.2	Inputs/outputs	69
9.1.3	Effective PID parameter	70
9.1.4	Identification	70

9.1.5	Library identification	71
9.1.6	Version display	71
9.2	Operate 2	72
10	Password protection	74
11	Parameterization	76
11.1	Parameterization menu	76
11.2	Selecting and changing parameters	77
11.3	Parameter categories	78
11.3.1	Instrument parameterization	78
11.3.2	Loop 1 parameterization	78
11.4	Self-tune	81
11.4.1	Procedure	81
11.4.2	Parameters	81
11.4.3	Starting self-tuning	82
11.4.4	Accepting the parameters	84
11.4.5	Rejecting the parameters	85
11.4.6	Cancelling self-tuning	85
12	Configuration	86
12.1	Selecting the configuration	86
12.2	Configuration table structure	87
12.3	Sequence of configuration	87
12.4	Changing the configuration	88
12.5	Exit configuration menu	89
13	Configuration examples	90
13.1	Device	91
13.1.1	Hardware	91
13.1.2	Password	92
13.2	AI definition	93
13.2.1	General	94
13.2.2	Sensor problems	94
13.2.3	Dimension	95
13.2.4	Filtering	95
13.2.5	mA inputs	96

13.2.6	Thermocouple input	96
13.2.7	Resistance thermometer input	96
13.2.8	Teletransmitter input	97
13.3	Characteristic curve	97
13.4	Setpoints	98
13.4.1	Setpoint 1	98
13.4.2	Setpoint SP2 to SP4 = Ratio setpoint SR1 to SR3	99
13.4.3	Computer setpoint	99
13.4.4	Setpoint ramp	99
13.5	Programmer	100
13.5.1	Configuring programs	100
13.5.2	Parameterizing programs	101
13.5.3	Programming table for a program	102
13.6	Fixed-value control	104
13.6.1	Task	104
13.6.2	Configuration	104
13.6.3	Example 1	105
13.6.4	Example 2	106
13.7	Multi-component control	108
13.7.1	Application	108
13.7.2	Configuration	108
13.8	Ratio control	110
13.8.1	Ratios and setpoints	110
13.8.2	Ratio control: Mixed control	112
13.9	Multiplication	115
13.10	Parameter changeover/control (Gain scheduling)	117
13.10.1	Parameter changeover	117
13.10.2	Parameter control	118
13.11	State correction	120
13.11.1	Input and output routing	120
13.11.2	Terms and abbreviations	120
13.11.3	Configuration for gas and steam	121
13.11.4	Configuration for water mass flow	122
13.11.5	Configuration for drum water level	122
13.11.6	Gas and steam	123
13.11.7	Water mass flow	126

13.11.8	Drum water level	127
13.11.9	Configuring an analog output for outputting state correction results	128
13.12	Control outputs	130
13.12.1	Two-point controller	131
13.12.2	Three-point controller	132
13.12.3	Motorized valve control (Step controller)	133
13.12.4	Positioner	133
13.12.5	Controller with relay output	133
13.12.6	Continuous controller	134
14	Service	135
14.1	Information (general)	136
14.2	Hardware information	136
14.3	Display unit	137
14.3.1	Contrast of the LCD	137
14.4	Adjustment	138
14.4.1	Example: Adjusting the Pt100, 2-wire, for AI01	138
14.4.2	Example: Adjusting a teletransmitter, 1500 ohms, on AI01	139
14.5	Calibration	141
15	Supervisor	142
15.1	Plausibility	143
15.2	Master reset	144
15.3	Template (Quick configuration)	145
16	Quick configuration in the Template menu	146
16.1	Setting the controller to the desired language	148
16.2	Navigating through the template	149
16.3	Possible entries in the template	150
16.4	Basic variants in the template	151
16.5	Additional variants in the template	152
16.6	Alarm variants in the template	154
16.7	Type of analog input AI01 and AI02 in the template	156
16.8	Examples for template variants	157
17	Tables for menus: Indication2/Operate2/Selftune/Service/Supervisor	158

18	Tables for the configuration menu	166
19	Tables for the parameter setting menu	185
20	Error codes	190
20.1	Device errors	190
20.1.1	Error codes	191
20.1.2	Error details	193
20.2	Error codes of the controller selftune routine	194
20.3	Error codes of the input/output level	195
21	Technical data	196
	Inputs	196
	Outputs	197
	Serial interfaces	197
	CPU data	198
	Power supply	198
	Environmental conditions	198
	Electromagnetic compatibility	198
	Connection, case, safety	199
	Modules	199
	Analog inputs	200
	Binary inputs/outputs	202
	Analog outputs	204
	Interface modules	204
22	Packaging for transport or return to the manufacturer	205
23	Index	206

Preface

This documentation No. 62/61-10010 delivered with the Digitric 100 controller contains instructions for:

- commissioning,
- installation,
- configuration,
- parameterization
- operation

The following additional documents are available upon request:

Operating instructions for IBIS- <i>R</i> , IBIS- <i>R+</i>	42/62-50020
Operating instructions for IBIS- <i>R+</i>	42/62-50030
Interface description (MODBUS)	42/62-50040
Interface description (Profibus DP-V1)	42/62-50050

The operating instructions in this manual include all important information for menu-guided configuration and parameterization of the Digitric 100 controller. All necessary entries can be made locally via the device's front panel operating elements, or remotely from a PC with the IBIS-*R+* configuration and parameterization program.

The configuration options of the Digitric 100 menu are also available in the IBIS-*R+* program. The description of this program is beyond the scope of this manual.

Delivery state

The devices are delivered off stock and without customized settings. The factory setting is adjusted to the following functions:

- Single-loop continuous controller
- Input: 4...20 mA
- Output: 4...20 mA
- Language: German
(setting to english or french is shown in Section 16.1, Setting the controller to the desired language)

The factory setting and its definitions are described in detail in this manual. Customized versions are available upon special request.

Switching on the device

Upon power-on or return of the power after power failure the device automatically performs a selftest of the internal functions. The progress of the test program can be seen on the display. Usually, no special attention has to be paid to this display.

1 How to use this instruction

1.1 Visual orientation hints

<Enter>	Control buttons on the device front panel, with description
<Ind>	
<Menu>, <Enter>	Buttons that are always enabled for operator actions
[P-SP]	Texts or text parts shown by the digital indicator
[P-SP], A	Flashing texts or text parts shown by the digital indicator
/8/	Reference to the numbers/fields specified in Fig. 7-1
M \odot , A \odot	Light emitting diode (LED) at the button of the same name is lighted
M \bullet , A \bullet	
Menu \bullet , Enter \bullet	Light emitting diode (LED) at the button of the same name is off
Sxt	External setpoint source
Manual	Operating mode

1.2 Hints for the configuration and parameterization tables

I	Instrument
AI	Analog input
AO	Analog output
BIO, BI/BO	Binary input/output
L1	Control loop No. 1
SC	State correction
Pxx	Programmer for program PO1 to P10
P01	Parameter 1
B01	Block 01
Q01	Question 01
Parameterization	
L1-P01	Loop 1, Parameter 01 = Gain
Configuration	
I-B01, Q01	Instrument, block 1, question 1 = language
L1-B03-Q02	Loop 1, block 3, question 2 = multi component structure

1.3 Hints for the configuration menu

The input values AIx, BIx and the outputs AO1 and BOx are global variables in the device.

The binary inputs can simultaneously trigger several functions, e.g. changeover between AI01 and AI02 with simultaneous parameter changeover.

The binary outputs can output several logically ORed data.

Be careful when configuring the controller.

Input and output names and numbers

Basic unit:

The analog inputs and outputs have the designations AI01 and AI02 or AO01. AI02 is an optional input that can be connected to the main board.

The binary inputs/outputs are called BIO01 and BIO02. They are used as input BIOx or as output BO0x, depending on the configuration.

The relay outputs are called BO03, BO04 and BO05 and are NO contacts.

Modules:

Besides the optional AI02 the Digitric 100 controller also provides a module slot.

Up to 4 analog or up to 6 binary input/outputs can be processed in the plug-in modules. In the device, the inputs and outputs have the following designation:

AI1y	Analog input No. y of the module in slot 1
AI12	Input 2 of the module in slot 1
BI16	Binary input 6 in slot 1
BO14	Binary output 4 in slot 1

2 General safety instructions

Safety instructions

This chapter contains important instructions for your safety!
Read and observe.

Instructions for proper use

These operating instructions are a reference manual for the Digitric 100 process controller.

Proper and safe operation of the Digitric 100 controller requires proper transportation and storage, installation and commissioning by qualified personnel, proper use and careful maintenance.

Only qualified personnel who are familiar with the installation, commissioning, operation and maintenance of this or similar devices are authorized to work on Digitric 100.

Observe

- the present operating instructions,
- the safety instructions attached to the device
- the relevant safety regulations and standards for the installation and operation of electrical systems.

The regulations, standards and directives referred to in these operating instructions are applicable in Germany. When using the Digitric 100 controller outside the German Federal jurisdiction, the relevant regulations, standards and directives applicable in the country where the device is used must be observed.



Digitric 100 has been designed, produced and tested in accordance with EN 61 010-1 = IEC 1010-1 = DIN VDE 0411 Part 1 "Safety Requirements for Electrical Measuring, Control and Laboratory Apparatus" and has been supplied in a safe condition. The present operating instructions contain warnings and cautions marked accordingly, which must be followed by the user to retain the device in a safe condition and to ensure safe operation. Otherwise, persons can be endangered or the device itself or other devices or equipment may be damaged or fail.

If you should need any information which is not contained in the present operating instructions please contact the ABB Service.

Proper use

Digitric 100 is a single-loop compact controller for the instrumentation of single control loops which can be connected to supervisory controllers and systems.



To ensure proper use, read and observe the "Technical data" in the data sheets and in Section 21, Technical data of this manual.

3 Description and application

3.1 Description

The industrial controller Digitric 100 is a compact controller for the instrumentation of single control loops. It is universal and can be used for both simple and complex control tasks.

3.2 Basic unit

1 universal input for the process value

Thermocouples, Pt100 resistance thermometers, teletransmitters and 0/4...20 mA standard signals can be connected to the basic unit without requiring any hardware changes. When using non-linearized temperature transmitters the linearization is performed in the controller.

The appropriate linearization tables for all standard transmitters are stored in the device.

1 output 0/4-20 mA for the output signal or other values, e.g. setpoint or actual value, electrically isolated.

2 binary inputs/outputs 24 V DC which can be configured as inputs or outputs, as required. They can be used as controller outputs or alarm outputs, but also as inputs for switching over the controller (e.g. from manual to automatic mode.)

3 relays for the output signal or alarm outputs, or for error messages.

One **2nd universal input** for additional functions (e.g. external setpoint, input circuit, ratio control, etc.)

This input is optional and can be plugged onto the main board.

Thermocouples, Pt100 resistance thermometers, teletransmitters and 0/4...20 mA standard signals can be connected to the basic unit without requiring any hardware changes. When using non-linearized temperature transmitters the linearization is performed in the controller.

The appropriate linearization tables for all standard transmitters are stored in the device.

1 module slot for extending the inputs/outputs.

3.3 Operating and indicator elements on the front panel

Various operating and indicator elements inform the operator about the process status and permit direct operator intervention. Numerical and plain text displays give an exact reading of setpoints and output values and allow the operator to modify the settings if required.

3.4 Programmer

Every device contains a configurable programmer for defining a time-dependent setpoint. Up to 10 programs with 15 segments each can be saved in the device.

3.5 Controller outputs

S1 On/Off controller, PID action

S2 Controller for heating-off-cooling, optionally with two switching or one continuous and one switching output.

M Motorized valve control (step control)

C Continuous controller, optionally with split-range output with two continuous output signals

3.6 Parameterization

The parameter level - which can be protected with a password - can be accessed in the menu level. On this level the existing device function parameters like controller gain or time constant can be set.

3.7 Configuration

List configuration

The configuration level - which can be protected with a password - can be accessed in the menu level. On this level the standard functions can be selected from a list saved in the device. Digitric 100 can be configured either locally via its front panel operating elements, or remotely from a PC with **IBIS_R+**. Remote configuration can considerably simplify the configuration procedure if several devices with the same setting are to be configured.

4 Installing Digitric 100

4.1 Identifying the device

See the rating plate attached to the side of the device for the device ID.

4.2 Choosing the installation site

Digitric 100 is designed for front mounting in control rooms, in cabinets and on machines. When choosing the installation site observe the environmental and mechanical capabilities specified in the "Technical data" section.

Warning

To ensure full protection against accidental contact only use the device in the installed state.

4.3 Mounting

4.3.1 Panel cutout

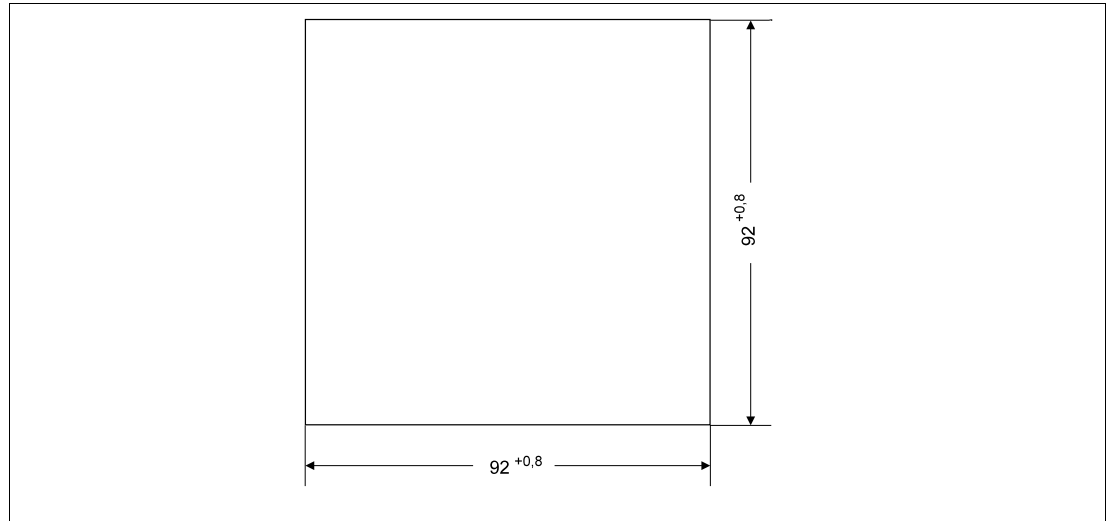


Fig.4-1 Panel cutout (dimensions in mm)

Z-19166

- Panel cutout to DIN 43 700: $92^{+0.8}$ mm \times $92^{+0.8}$ mm
- When mounting the devices side by side, observe a minimum spacing of 10 mm between them
- Provide for a sufficient spacing above and below the devices to ensure proper ventilation
Minimum spacing above and below: 40 mm

Note

The spacing between the devices must not be affected by the cables.

4.3.2 Mounting instructions

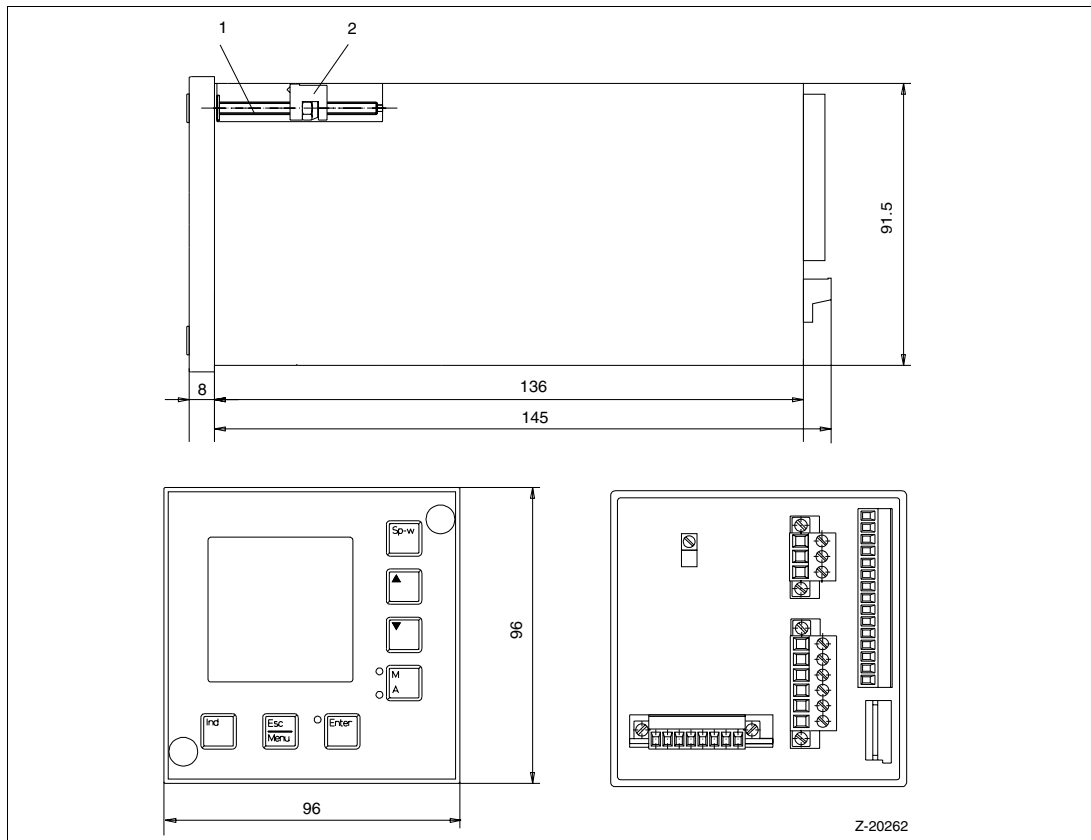


Fig.4-2 Dimensional drawings (dimensions in mm)
Z-19168 1 Fastening screw for tensioning clamp 2 Tensioning clamp

Mounting procedure

Step Action

1. Remove at the front both screw covers.
2. Turn the fastening screw for the tensioning clamp (1) counterclockwise until you are able to snap in the tensioning clamp (2) behind the panel.
3. Insert the device into the panel cutout from the front.
4. Turn the fastening screw of the tensioning clamp (1) clockwise until the tensioning clamp snaps in behind the front panel and retains the device reliably. Make sure that there is a conductive bonding between the housing, the fastening screw and the panel.

Note

The conductive bonding is required to ensure the electromagnetic compatibility (EMC) of the device.

5. Pull in both screw covers.

5 Connecting Digitric 100

Note

When the device is switched on, an internal test routine is started and runs down for around 15 seconds. The progress of the self-test is seen on the display.

5.1 Signal connections of the basic unit

(see Fig. 5-1 and Fig.5-2)

Connect with pluggable screw-terminals for wire or stranded wire, wire CSA up to 1.5 mm², for relays up to 2.5 mm².

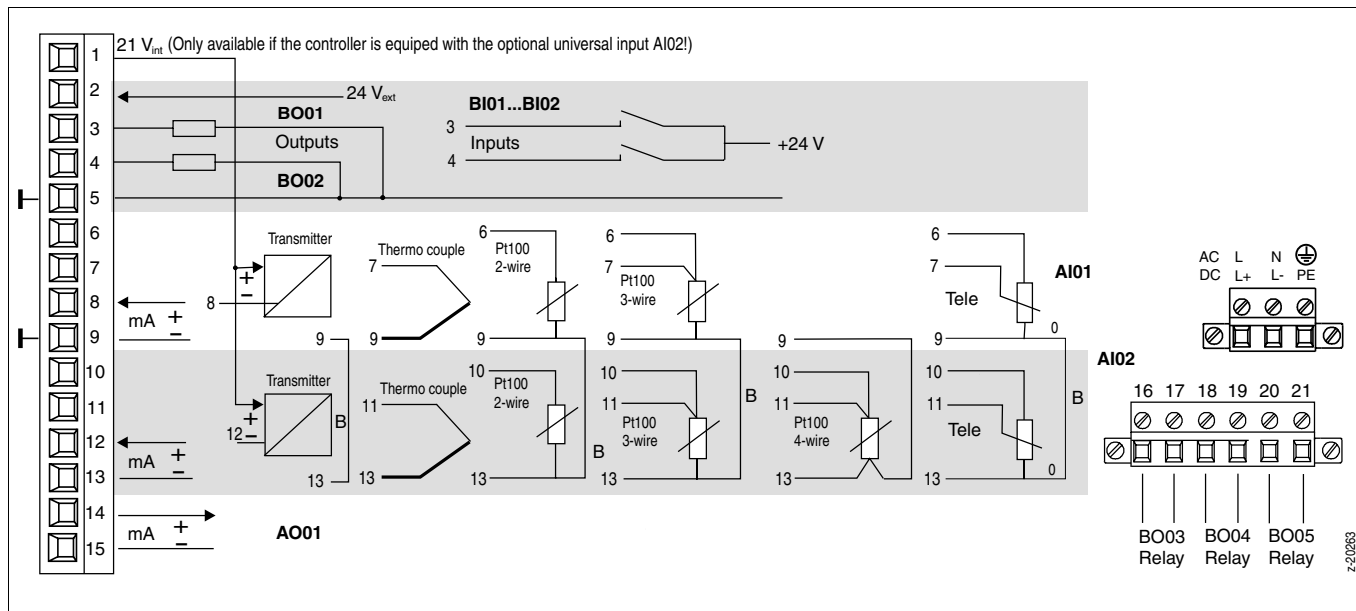


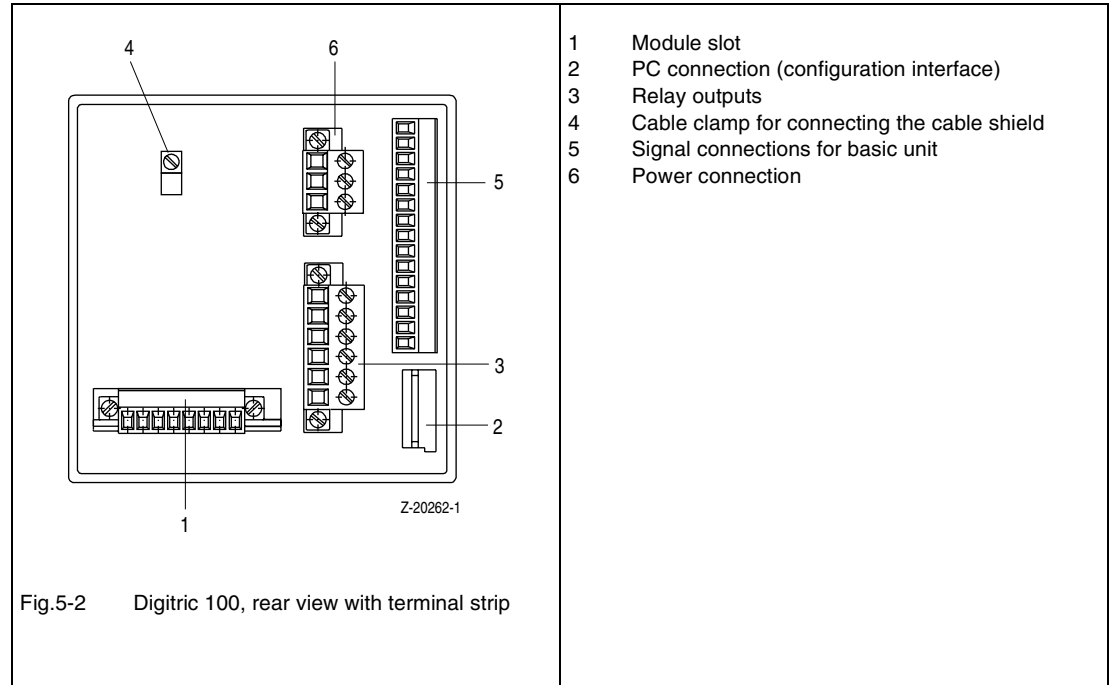
Fig. 5-1 Signal connections of the basic unit (description see next page)

Description for Fig. 5-1

- 1 21 V int (Only available if the controller is equipped with the optional universal input AI02!)
- 2 Input of power supply for binary outputs
- 3 Binary port 1 (a binary port can be used as binary input or output)
- 4 Binary port 2
- 5 Zero potential
- 6 Analog input 1
- 7 Analog input 1
- 8 Analog input 1
- 9 Analog input 1+ 2 (AI02 optional)
- 10 Analog input 2 (AI02 optional)
- 11 Analog input 2 (AI02 optional)
- 12 Analog input 2 (AI02 optional)
- 13 Analog input 2 (AI02 optional)
- 14 Analog output 1
- 15 Analog output 1
- 16, 17 Relay output (NO contact) BO03
- 18, 19 Relay output (NO contact) BO04
- 20,21 Relay output (NO contact) BO05
- AO01 Analog output 1 (0/4...20 mA)
- AI01 Universal input
- AI02 Optional universal input
- B The bridge is only required for transmitter supply via terminal 1 or Pt100 (2-wire/3-wire) or teletransmitter supply via AI 02. The bridge must provide a low-resistance connection between terminals 9 and 13 on the shortest way.
- BI01, BI02 Binary inputs
- BO01, BO02 Binary outputs
- BO03, BO04, BO05 Relay outputs (NO contacts)
- Tele Teletransmitter
- 21-V int. Optional supply for 2-wire transmitter and/or binary inputs and outputs (is available only if 2. universal input is installed).
- 24-V ext. External power supply

5.2 Signal connections for modules and PC

Overview



Modules (can be retrofitted)

A module can be retrofitted at a later time. The following table shows an overview of the available module types. The optional analog input AI02 is plugged onto the main board of the device and is not considered as a module.

Module type	Designation	ID	see	Catalog number
Inputs				
AI4_mV=AE4_mV	4-fold thermocouple with electronic isolation	E	Fig.5-5	62619-0346280
AI2_mA/mV_OI= AE2_mA/mV_TR	2-fold thermocouple or mA with opto isolation	B	Fig.5-4	62619-0346250
AI4_PT_2W =AE4_PT_2L	4-fold Pt100 2-wire circuitry	F	Fig.5-6	62619-0346255
AI2_PT_3/4W =AE2_PT_3/4L	2-fold Pt100 3/4-wire circuitry	G	Fig.5-7	62619-0346281
AI4_F=AE4_F	4-fold frequency input	H	Fig.5-8	62619-0346444
AI4_mA=AE4_mA	4-fold mA with electronic isolation	A	Fig.5-3	62619-0346254
Binary inputs/outputs				
BIO6_BIN =BEA6_BIN	6-fold binary input/output	M	Fig.5-11	62619-0346282
Outputs				
AO3_mA =AA3_mA	3-fold 20 mA	N	Fig.5-9	62619-0346252
AO3_mV =AA3_mV	3 -fold 10 V	P	Fig.5-10	62619-0346253
BO4_REL =BA4_REL	4-fold relay	T	Fig.5-12	62619-0346263
Interfaces				
RS 485	RS 485, independent of protocol, bus-compatible, transmission rate of up to 187500 bauds	U	Fig.5-14	62619-0346324
RS 232	RS 232, independent of protocol, not bus compatible	Y	Fig.5-13	62619-0346326
PROFIBUS	PROFIBUS DP /DP-V1 (slave)	Z	–	62619-0346470

Table 5-1 Module overview

AI4_mA=AE4_mA: Analog input module 4 × mA
 4 inputs, 0/4...20 mA, with electronic isolation

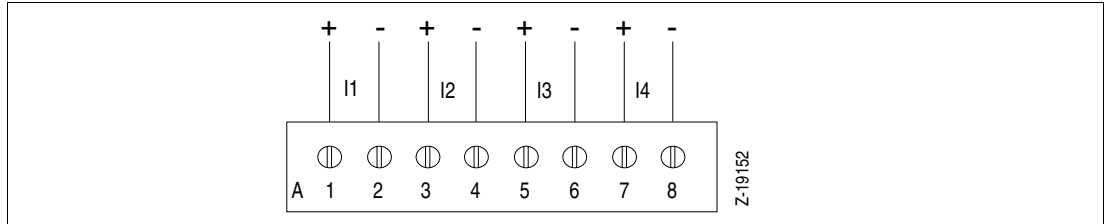


Fig.5-3 Analog input module 4 × mA
 z-19152

AI2_mA/mV-OI=AE2_mA/mV_TR: Analog input module 2 × mA or thermocouple / mV
 2 inputs, 0/4...20 mA with opto isolation; each input can be switched to thermocouple/mV (-10...80 mV) by setting the jumper accordingly (see "Modifying modules").

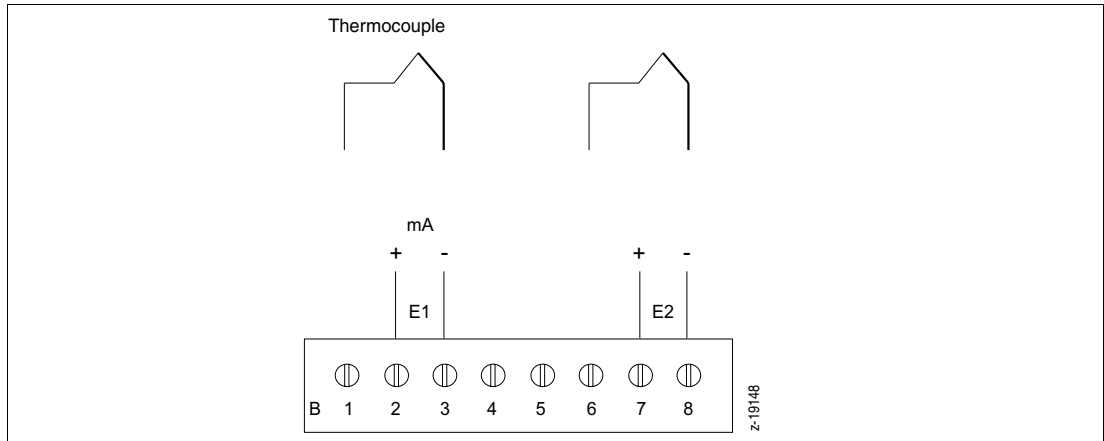


Fig.5-4 Analog input module 2 × mA or thermocouple / mV (z-19148)

AI4_mV=AE4_mV: Analog input module 4 × thermocouple

4 inputs, -10...80 mV, with electronic isolation

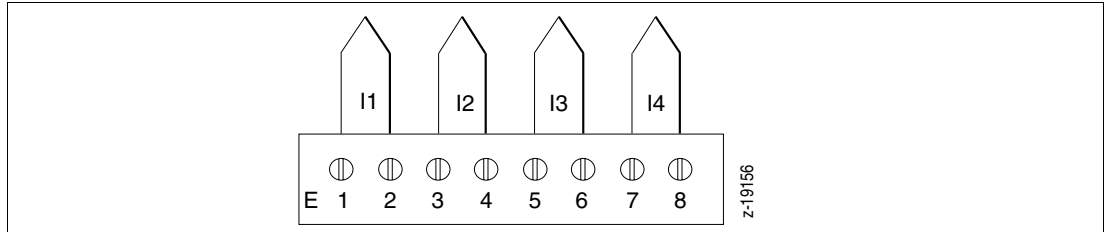


Fig.5-5 Analog input module 4 × thermocouple

z-19156

AI4_PT_2W=AE4_PT_2L: Analog input module 4 × Pt100, 2-wire

4 inputs for 2-wire Pt100

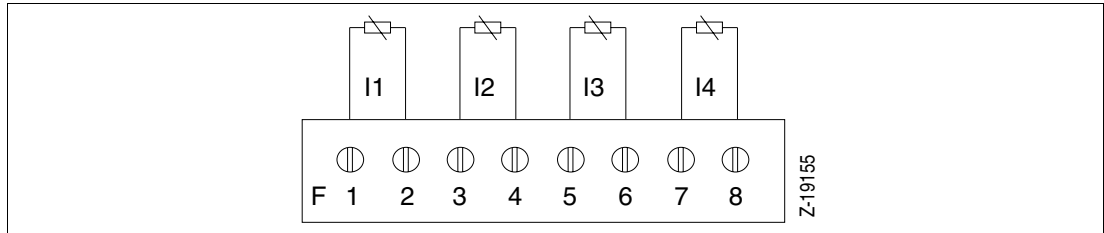


Fig.5-6 Analog input module 4 × Pt100, 2-wire

z-19155

AI2_PT_3/4W=AE2_PT_3/4L: Analog input module 2 × Pt 100, 3-wire/4-wire
 2 inputs for 3-wire or 4-wire Pt 100 or teletransmitter

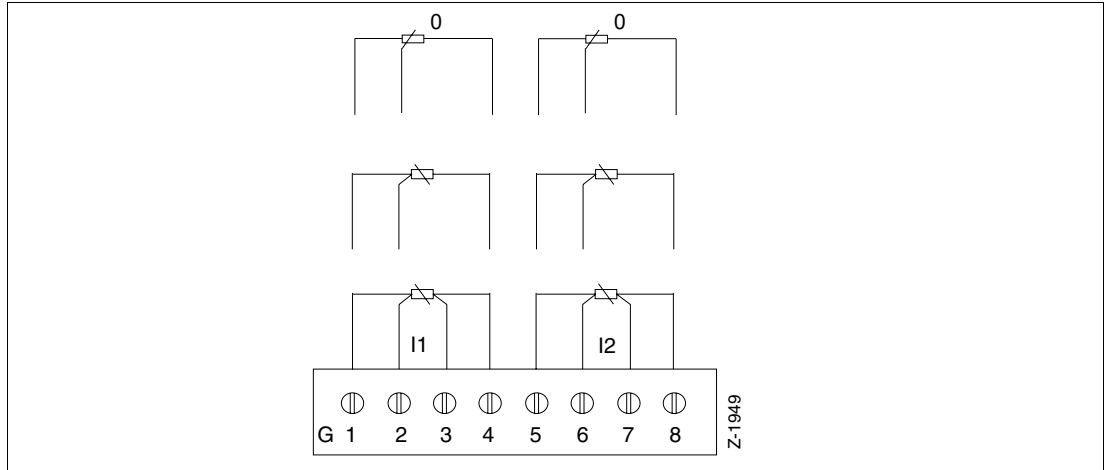


Fig.5-7 Analog input module 2 × Pt100, 3-wire or 4-wire
 z-19149

AI4_F=AE4_F: Frequency input module 4 × F

4 frequency inputs

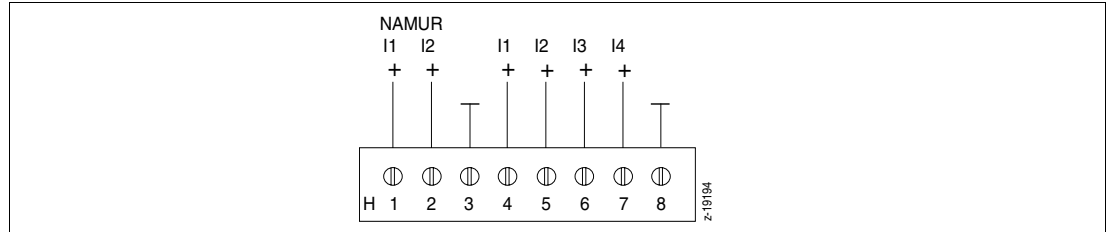


Fig.5-8 Frequency input modules 4 × F (z-19194)

Input	Frequency measurement	Time measurement	Pulse counter	Increment	Increment with zero point
I1	Alx1 ¹	Alx1	Alx1	Alx1	Alx1
I2	Alx2	Alx2	Alx2		
I3	Alx3	Alx3	Alx3	Alx3	Zero
I4	Alx4	Alx4	Alx4		disabled

Table 5-2 1 if 0...20 kHz only input 1

The four inputs of a module can be used with the same measuring task, only.

With increment measurement the rotation or moving direction is recognized. Two inputs are linked and give a resulting input.

With increment measurement with zero point recognition the rotation or moving direction is recognized and set to zero via a third input. This permits an absolute travel/angel measurement. Three inputs are linked to each other and give a resulting input. The fourth input cannot be used in this case.

AO3_mA=AA3_mA: Analog output module 3 × mA

3 current outputs 0/4...20 mA on maximum 750 Ω, short-circuit-proof, open-circuit-proof

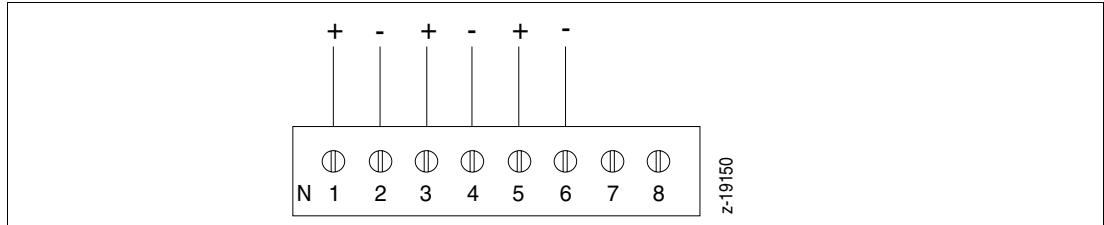


Fig.5-9 Analog output module 3 × mA

AO3_V=AA3_V: Analog output module 3 × V

3 voltage outputs 0/2...10 V

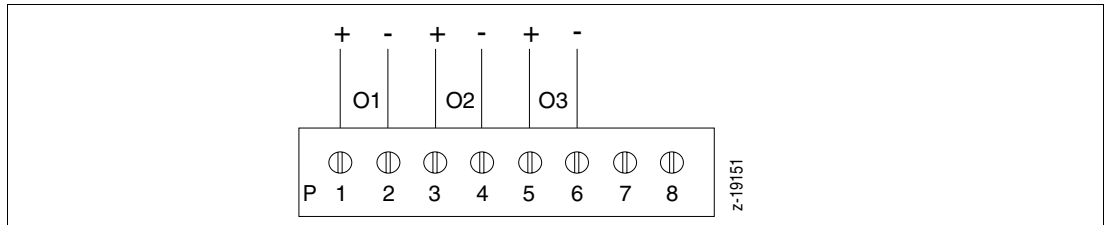


Fig.5-10 Analog output module 3 × V

BIO6_BIN=BEA6_BIN: Binary input/output module (with electrical isolation)

6 binary inputs, can be configured as inputs or outputs

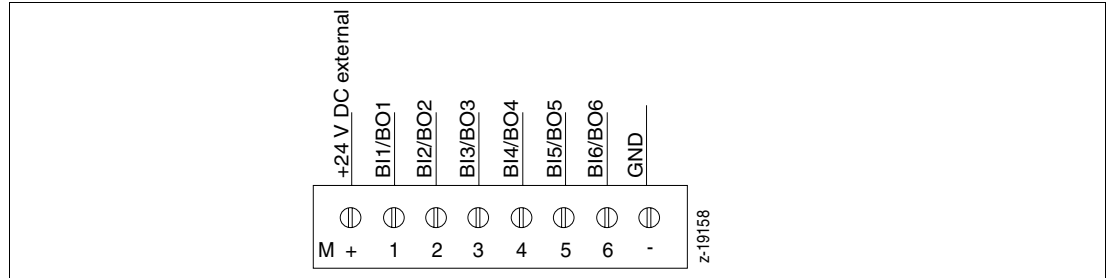


Fig.5-11 Binary input/output module 6 × binary
z-19158

BO4_REL=BA4_REL: Binary output module 4 × relay

4 relays with NO contacts

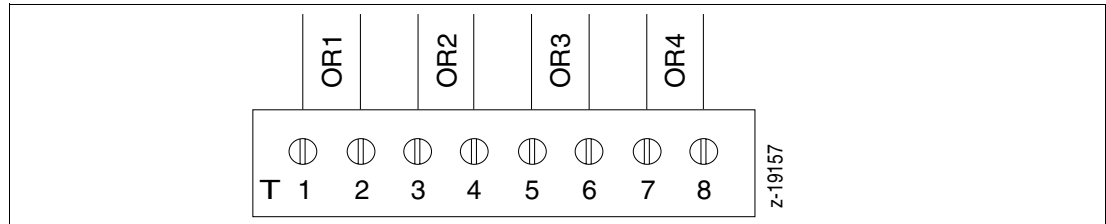


Fig.5-12 Binary output module 4 × relay
z-19157



Warning

Maximum switching voltage 250 V AC, maximum switching current 1 A, $\cos\phi = 0.9$

If extra low voltages (≤ 50 V) and mains voltages (≥ 100 V) are to be applied to the same module, one relay between those must remain unused to provide the necessary air gaps and creep distances between the individual circuits in accordance with EN 61 010-1.

RS-232 interface module

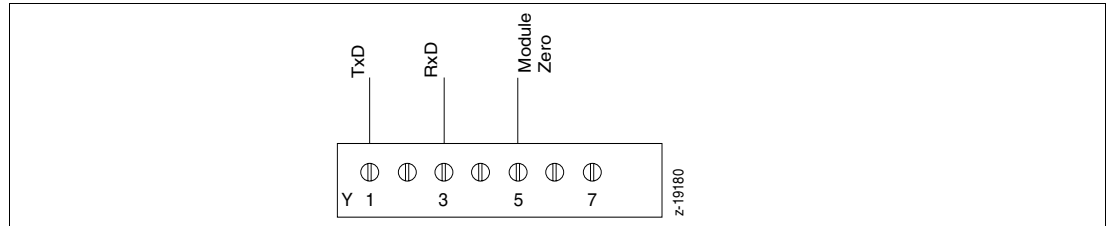


Fig.5-13 RS 232 Interface module
z-19180

Connection of the interface via 9-pin SUB-D connector plug, pin assignment see below

SUB-D connector **RS 232 interface**

Pin 2	RxD	Pin 1	TxD
Pin 3	TxD	Pin 3	RxD
Pin 5	GND	Pin 5	Zero

RS-485 interface module (with electrical isolation)

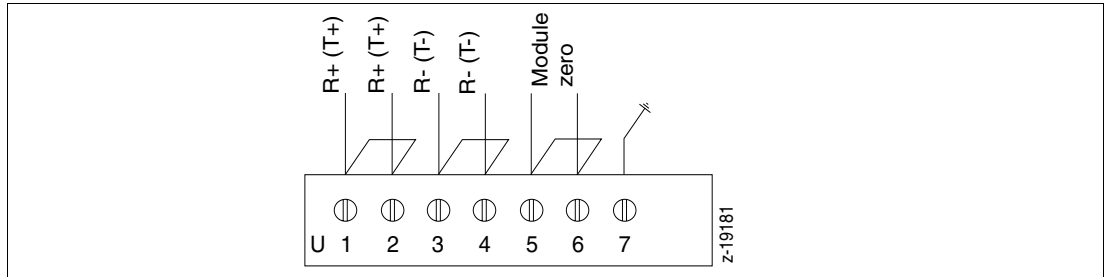


Fig.5-14 RS 485 interface module

z-19181 The jumpers are only required if the interface link must not be interrupted when the connector is unplugged.

Connection of the interface via 9-pin SUB-D connector plug, pin assignment see below

SUB-D connector RS 485 interface module

Pin 3	RxD	Pin 1	R+
Pin 8	RxD	Pin 3	R-
Pin 5	GND	Pin 5	Zero

Note

The bus cable is a shielded cable with at least 3 wires: a twisted wire pair used for signal transmission, and an insulated wire for realizing the equipotential bonding between the "module zero" connections and all other electrically isolated bus stations.

The cable shield is necessary to comply with the EMC requirements and additionally improves the EMI/RFI resistance of the interface. The cable shield is connected via the cable clamp to the rear panel (see Fig.5-2).

Potential equalization is vital to ensure proper operation of the interface. The insulated wire in the data transmission cable can only provide for potential equalization if all other bus stations (except the PC) are also electrically isolated.

When using bus stations that are not opto isolated, usually an additional potential equalization cable with a sufficient CSA must be added.

PROFIBUS

See operating instructions 42/62-50050



5.3 Connecting the power supply

Warning

Observe the regulations for the installation of high-voltage systems with a rated voltage of up to 1000 V (DIN VDE 0100) when selecting the cable material and installing the power connections.

Prior to making any other connections always provide an equipment grounding conductor between the PE connector and protective earth, to ensure protection against accidental contact.

Note

The protective earth conductor (PE) must also be connected if only a 24 V power supply is used.

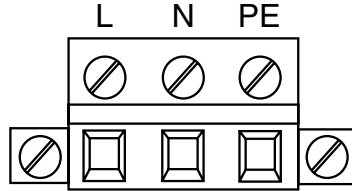


Fig.5-15 115/230 V AC power connection
z-19161
L live conductor
N neutral conductor
PE conductor

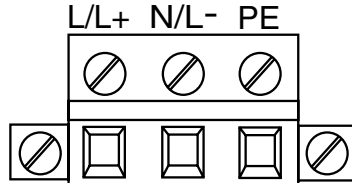


Fig.5-16 24 V UC power connection
z-19163
DC Plus on L/L+
Zero on N/L-
AC L/L+ and N/L-
PE conductor

Connecting the power supply



Warning

Observe the regulations for the installation of high-voltage systems with a rated voltage of up to 1000 V (DIN VDE 0100) when selecting the cable material and installing the power connections. Prior to making any other connections always provide an equipment grounding conductor between the PE connector and protective earth, to ensure protection against accidental contact.

Note

The protective earth conductor (PE) must also be connected if only a 24 V power supply is used.




Warning

Prior to opening the device always disconnect all hazardous voltages (mains voltage for power supply and on relay modules). The permissible operating voltage of the device is seen on the rating plate attached to the side of the device.



Warning

Exclusively connect the 24 V DC device to supply systems with extra low voltage and protective separation from other circuits.

	<p>A special, externally installed isolating switch in accordance with EN 61 010-1, section 6.12,2 must be provided to disconnect the device from power if required.</p> <p>The live power connector "L" or „L/L+“ has an internal fuse T 2.5 A 250 V. No additional fuse protection is required for the controller.</p> <p>Connect via pluggable screw terminals for wire or stranded wire, CSA up to 2.5 mm².</p> <p> Warning</p> <p>Prior to switching on the device make sure that the rated operating voltage of the device is identical with the mains voltage. See the rating plate attached to the side of the device for specifications.</p> <p>Note</p> <p>When the device is switched on, an internal test routine is started and runs down for around 15 seconds. The progress of the self-test is seen on the display.</p>
--	---

6 Retrofitting



6.1 Safety instructions in accordance with DIN VDE

When opening covers or removing parts - except if this is possible without using a tool - be aware that live parts may be exposed. Note that even connections may be live. Prior to opening the device and when working on the device always disconnect it from power. Only experts who are aware of the potential risks are allowed to work on the open device when it is live.

Capacitors inside the device may still be charged, even when the device has already been disconnected from power.

If you are in doubt whether safe operation is still ensured, immediately put the device out of operation and secure it against being put in service by accident.

It must be assumed that safe operation is no longer ensured if the device

- has visible damages
- does no longer work
- has been stored under detrimental conditions
- has been submitted to harmful transport conditions and may have been damaged during transport

6.2 Mounting the module

Warning

Prior to mounting the module switch off all hazardous voltages (mains voltage for power supply and on relay modules).

During operation the module must be in the housing, and the housing must be closed properly (rear panel in place).



6.2.1 Assembling of a module

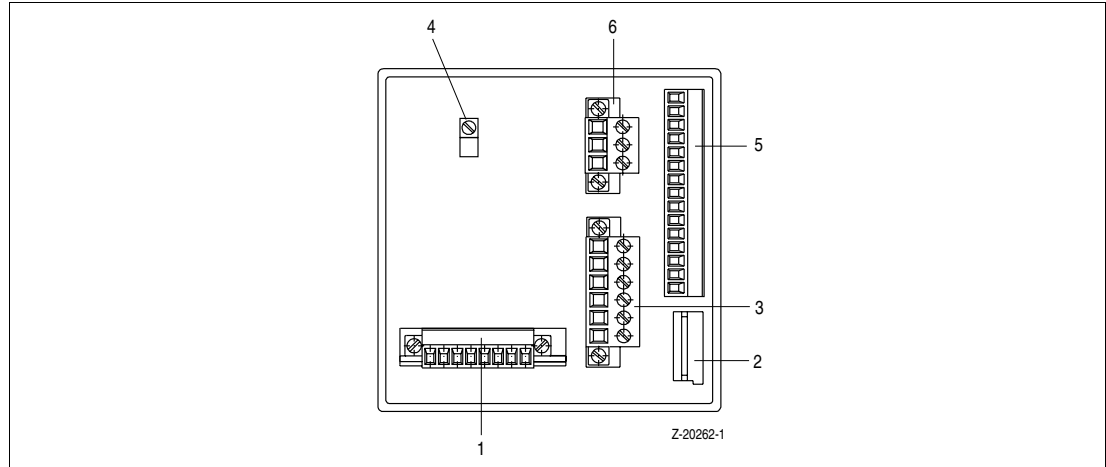


Fig.6-1 Digitric 100, rear view with terminal strips

1	Module slot	2	PC terminal (configuration interface)
3	Relay outputs	4	Cable clamp for connecting the cable shield
5	Terminal of basic I/O	6	Power connector

If no module is assembled in the module slot (1) the empty slot can be equipped with a module. It is also possible to replace a existing module by another module. You will find a detailed description on the following pages.

Note

If you assemble a Modbus-module (RS 232 or RS 485) or a Profibus-DP-module, you have to connect the shield of the cable with the cable clamp (4) to the rear wall of the controller.

Note

After the mechanical assembly the module has to be in addition recognized at the controller.

This can be done by CONFI-INSTRUMENT-B11-Q01=1 (automatic recognizing of a assembled module) or by CONFI-INSTRUMENT-B12-Q01=x (Recognizing of a defined type of module).

Description how to assemble or exchange a module



Fig.6-2 Open rear of controller
(R-20270)

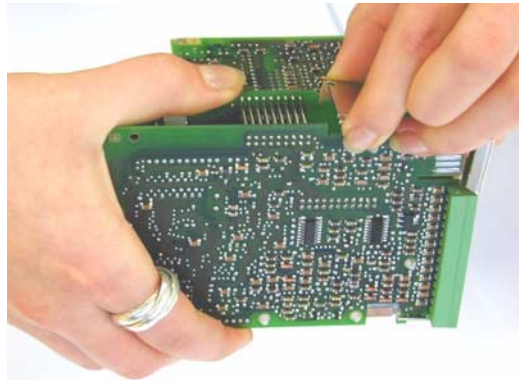


Fig.6-3 Unfix clamp
(R-20271)

1. Unfix rear wall by using two screw drivers according Fig.6-2.
2. Pull rear wall together with CPU- and Power supply-board out of the housing of the controller.
3. To ease the assembly of the module pull the clamp of the rear wall out of the fixture at the electronic boards Fig.6-3.

Note

Please take care that you disassemble all connectors (power supply, standard I/O, relays, module) at the rear wall before doing this. With assembled connectors you cannot unfix the rear wall.

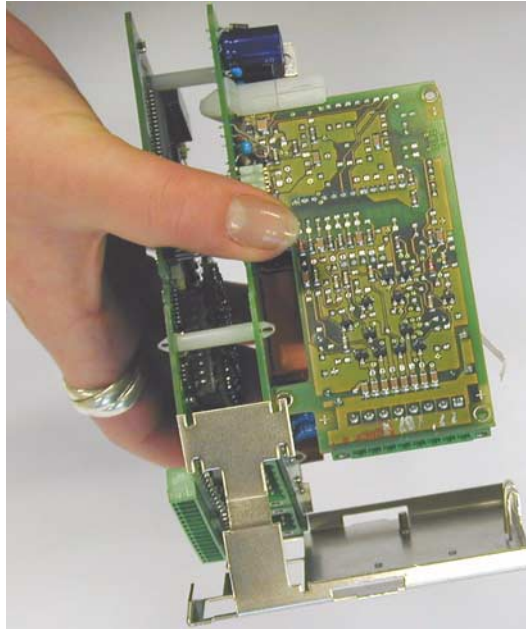


Fig.6-4 Unfixed clamp
(R-20273)

4. See in the Fig.6-4 the controller with unfixed rear wall.
Assembled in the rear wall you will find a small cover plate which is used to cover (no module assembled) or shape the hole in the rear wall (module assembled).

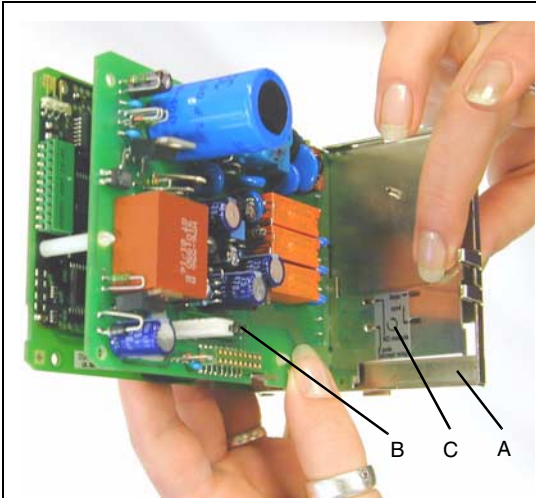


Fig.6-5 Fix cover plate
(R-20272) A Rear wall
 B Connector for module
 C Cover plate

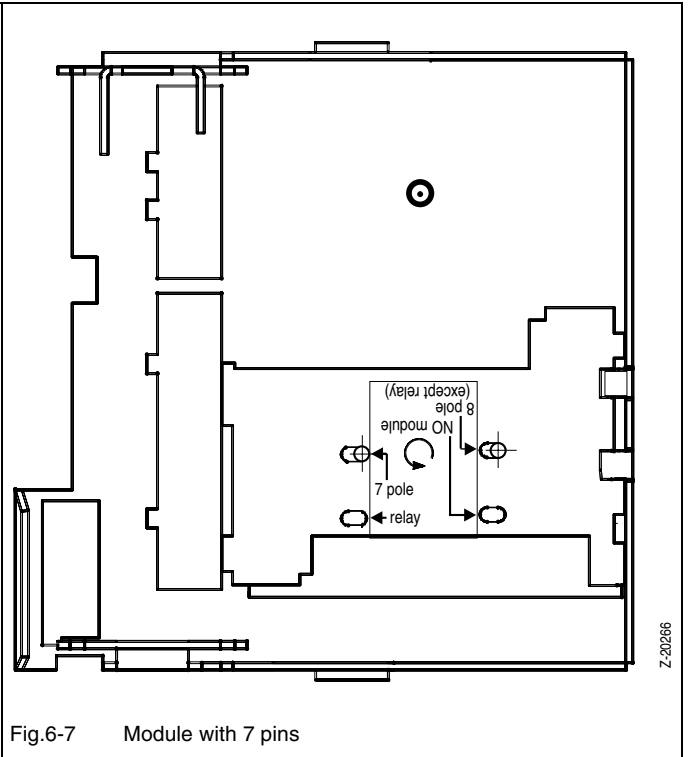
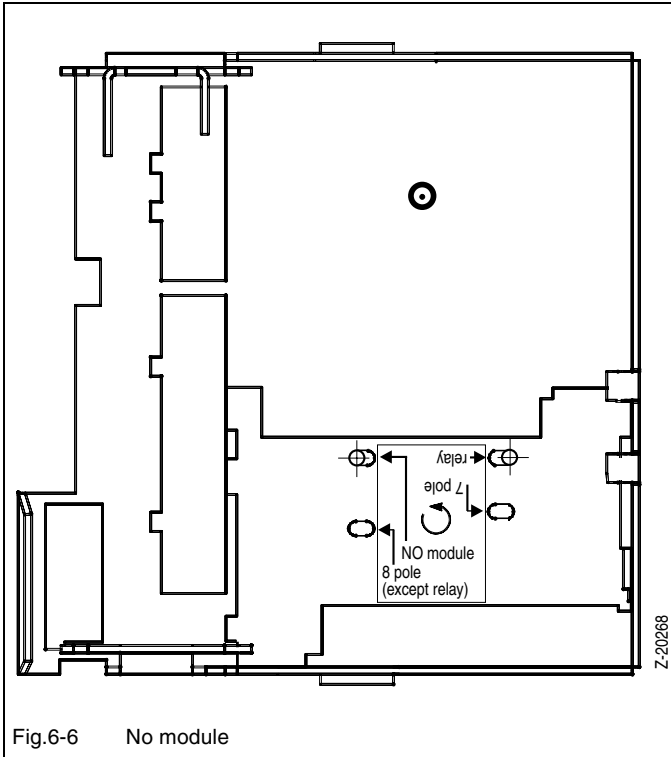
There are 4 different positions to fix the cover plate in the rear wall.

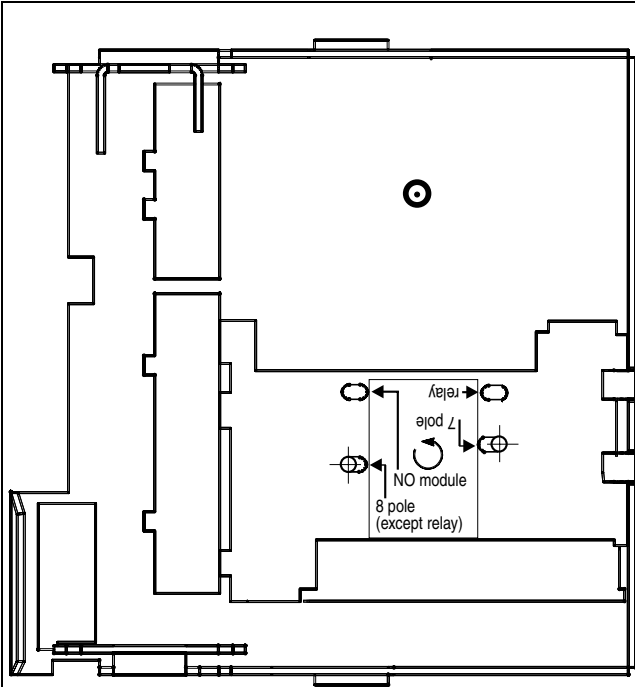
The position that has to be used is dependent on the type of module:

- a) No module (Fig.6-6)
- b) Module with 7 pins (Fig.6-7)
- c) Module with 8 pins (except relay-module) (Fig.6-8)
- d) Relay-module (Fig.6-9)

Fix the cover plate in the suitable position (dependent on the type of module).

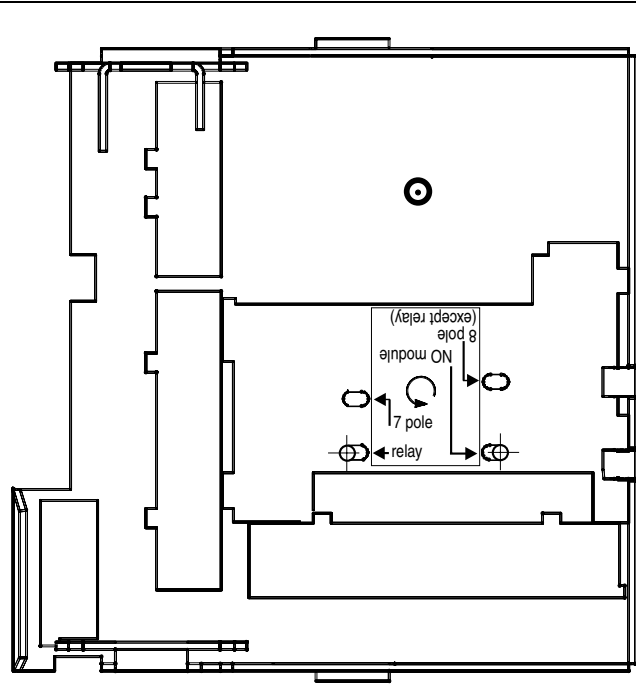
- 5. Set the module into the guide rail of the housing and push the module completely into the connector on the electronic board (B).





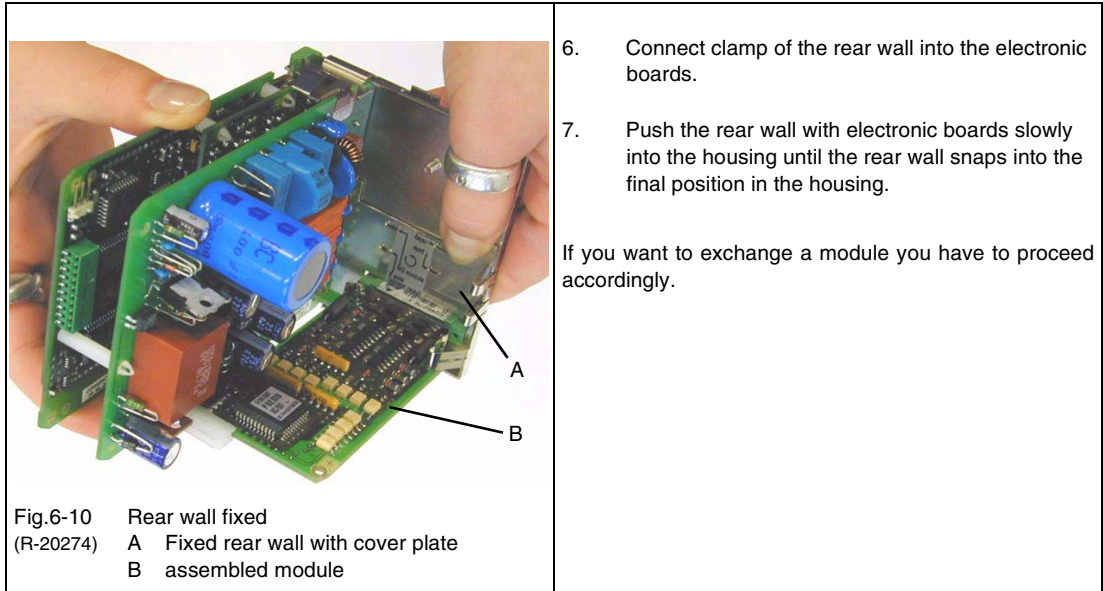
Z-20267

Fig.6-8 Module with 8 pins (except relay-module)



Z-20269

Fig.6-9 Relay module



Note

If you assemble a Modbus-module (RS 232 or RS 485) or a Profibus-DP-module, you have to connect the shield of the cable with the cable clamp to the rear wall of the controller.

6.3 Modifying modules

Analog input module 2 × mA or thermocouple / mV

2 inputs, 0/4...20 mA, or thermocouple and mV (-10...80 mV) with opto isolation.

Each of the two inputs can be configured for 0/4...20 mA or thermocouple /mV by setting the jumper accordingly.

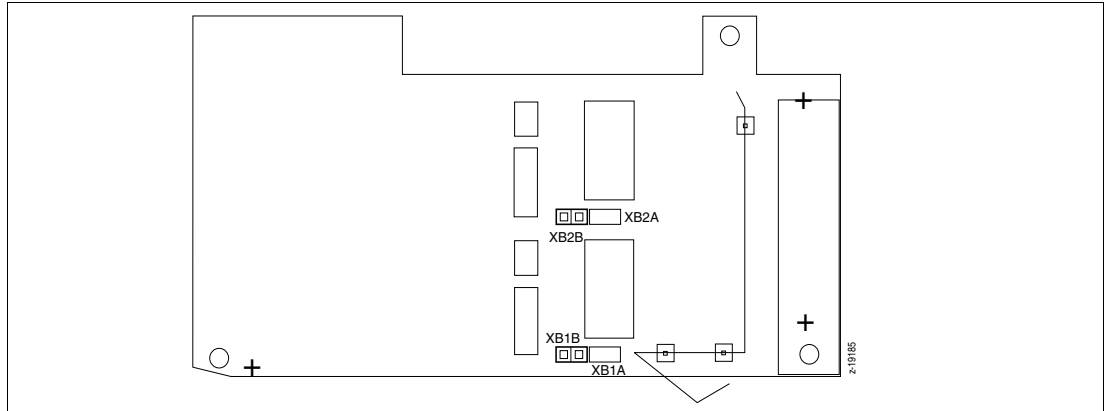


Fig.6-11 Analog input module 2 × mA or thermocouple / mV

z-19185

Input 1:

mA XB1A bridged

mV XB1B bridged

Input 2:

mA XB2A bridged

mV XB2B bridged

6.4 Adding input AI02

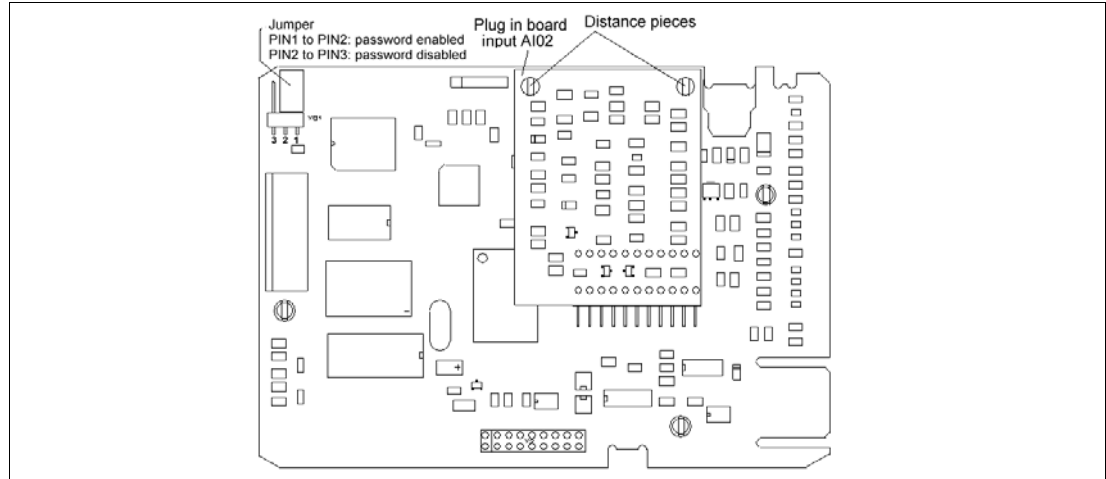


Fig.6-12 Main board with piggyback board AI02

If required, the optional universal input AI02 can be added at a later time and connected to the main board as piggyback board. Disconnect the controller from power, dismount it, and then open it to access the boards.

6.5 Disabling the password

1. Switch off power.
2. Dismount and open the device.

If the jumper is set in such a way that it links pin 1 and pin 2, the set password is active and valid. If the jumper is set to pins 2 and 3, the set password will be ignored.

3. Set the jumper accordingly (see Fig.6-12).
4. Close and mount the device.
5. Switch on power.

The password-protected menu levels are now freely accessible.

6. Read and, if applicable, change the password (see Section 13.1.2).
7. Repeat steps 1 and 2 and then set the jumper back to its initial position.

6.6 Updating the firmware

Please contact ABB Service if you need a firmware update. ABB Service will then download the new firmware revision via the optional RS 232 module.

7 Operation

7.1 Operating elements on the Digitric 100 front panel

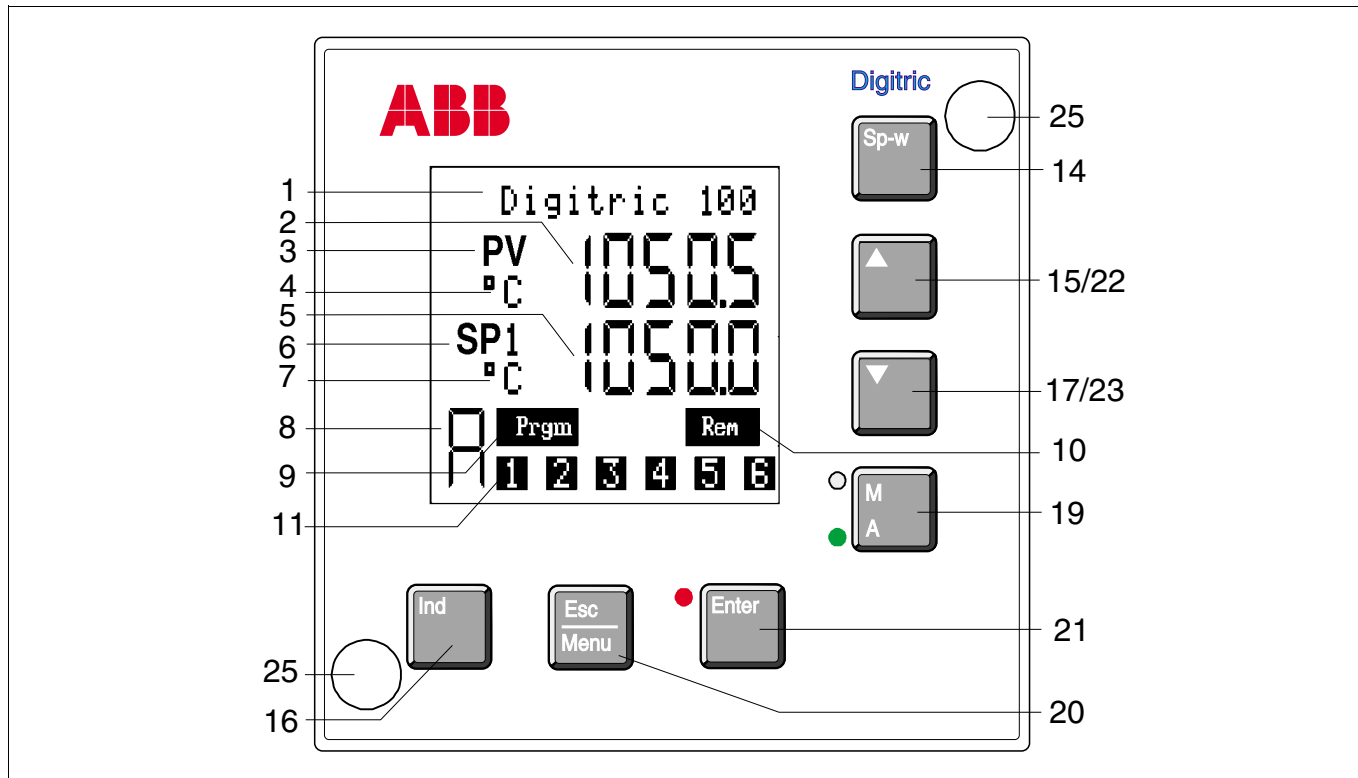


Fig. 7-1 Operating elements on the Digitric 100 front panel
(description see next page)

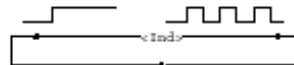
Description for Fig. 7-1

1	Text line
2	Digital indicator for process value PV
3	Designation of the process value
4	Dimension of the process value
5	Digital indicator: indicates setpoint SP in automatic mode and output value OUT in manual mode
6	Designation of the value indicated in 5
7	Dimension of the value indicated in 5
8	Alarm indicator
9	Indicator for programmer activity
10	Remote control indicator
11	Freely configurable binary messages (6 binary flags)
14	Setpoint changeover (see Section 7.6 "Setpoints")
15	Button for incrementing the values indicated in 5, 6 and 7
16	Toggle switch for indicators 5, 6 and 7
17	Button for decrementing the values indicated in 5, 6 and 7
19	Mode switch for selecting manual or automatic mode, with indicator LEDs
20	Button for accessing the configuration or parameterization level
21	Button for alarm acknowledgement and confirmation of data (configuration and parameters)
22	Up button for incrementing in manual mode
23	Down button for decrementing in manual mode
25	Cap for covering fastening elements for panel mounting

7.2 LC Display

The values seen in the "2nd line" column of the table below can be accessed in two different ways:

1. From left to right:
Press <Ind> button (several times).
2. From right to left:
Press and hold <Ind> button



Input circuit/ function		1st line	2nd line Controller								Programmer	
Fixed value		PV	SP1-SP4	Sxt	SPC	P0x	–	Err	OUT	ALi	PS	PGt
Multi components		PV	SP1-SP4	Sxt	SPC	P0x	–	Err	OUT	ALi		
Multiplication		PV	SP1-SP4	Sxt	SPC	P0x	–	Err	OUT	ALi		
Ratio (RPV, SR)		RPV	SR1-SR3	Rxt	SRC	P0x	SR	Err	OUT	ALi		
Ratio (PV, SR*IC2)		PV	SR1-SR3	Rxt	SRC	P0x	SR	Err	OUT	ALi		
Fixed value/Ratio (RPV, SR)	FV	RPV	SP1 SR1- SR3	Rxt	SRC	P0x	SR	Err	OUT	ALi		
	Ratio	RPV	SP1 SR1- SR3	Rxt	SRC	P0x	SR	Err	OUT	ALi		
Fixed value/ratio (PV, SR*IC2)	FV	PV	SP1 SR1- SR3	Rxt	SRC	P0x	SR	Err	OUT	ALi		
	Ratio	PV	SP1 SR1- SR3	Rxt	SRC	P0x	SR	Err	OUT	ALi		
Extreme value (max, min, PV, SP)		PV	SP1-SP4	Sxt	SPC	P0x	–	Err	OUT	ALi		
Load control - air		same as ratio										
Load control - fuel		same as fixed value										
Manual station		PV	–	–	–	–	–	–	OUT	ALi	–	–
Setpoint station		–	SP1-SP4	Sxt	SPC	P0x	–	–	–	–	PS	Pt
Ratio station		PV	SR1-SR3	Rxt	SRC	P0x	SR					
Positioner		PV=OUTfb	SP1-SP4	Sxt	SPC	P0x	–	Err	OUT	ALi		
Alarm station		PV	(SP1-SP4)	(Sxt)	(SPC)	(P0x)	–	(Err)		ALi	PS	Pt

Table 7-1 Grayed indicators flash. These values are only displayed, but are currently not active.

PV Measured value (with ratio control: measured value in the quotient numerator)

SP1-SP4 Setpoints 1 to 4
SR1 - SR3 Ratio setpoints 1 -3
Sxt, Rxt External setpoint
SPC, SRC Computer setpoint
P0x Programmer setpoint (indicated as P01 to P10)
IC2 With ratio control: measured value in the quotation denominator

Setpoints are only indicated when they are enabled in the configuration.

(continued on the next page)

Description for Fig. 7-1, continued from previous page:

SR	Setpoint active during ratio control ($R \cdot IC2$) or $(R \cdot IC2)/(1-R)$
Err	Control deviation
OUT	Controller output or position feedback
ALi	Alarm limits AL1 to AL4, if enabled

Programmer:

PS	Currently executed program segment PS
Pt	Program run time since startup

7.3 Alarm handling

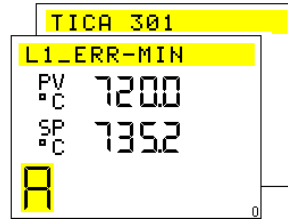


Fig.7-2 Alarm message
z-19000

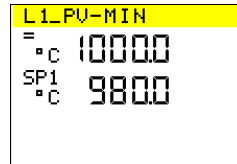


Fig.7-3 Alarm value is set to 100.0
z-19001

When an alarm or error occurs or an alarm value is exceeded during an operating cycle,

- a flashing "A" appears in the bottom right corner of the display,
- the error or alarm source is indicated in the first line of the display instead of the TAG name,
- the <Enter> LED is lighted.

Note

Unconfirmed operating instructions displayed in the text line have priority over error codes. As long as the operating instruction is still unconfirmed, the alarm is only indicated by the flashing "A". Alarm acknowledgement is not possible in this situation!

Displaying the exceeded alarm value

Press <Ind> to display the alarm value.

Acknowledging the alarm

press <Enter> (standard configuration):

If there is no other alarm:

The display is reset and the normal values are indicated.

The LED is extinguished, whether the alarm is still active or not.

If there are other alarms

More alarms are indicated in the same way as described above and have to be acknowledged individually.

7.4 Automatic mode (A)

Possible operator actions

When the controller is switched over from manual to automatic mode, the active setpoint is seen on the digital indicator. Other values can be selected by pressing the <Ind> button.

<M/A>	Switch over from manual to automatic mode
<SP-w>	Switch over the setpoint (if configured)
<▼> <▲>	Increment/decrement the setpoint
<Menu>	Switch over to another menu level

7.5 Manual mode (M)



Fig.7-4 Output OUT is indicated
z-19020

The functions of the <▲> and <▼> buttons are defined either through configuration or, in case of the step controller, through the appropriate wiring. Usually, a more critical state - e.g. a higher furnace temperature - is reached by pressing the <▲> button.

After the controller has been changed over from automatic to manual mode, the output variable OUT is shown by the digital indicator. Other values can be selected by pressing the <Ind> button.

In the case of controllers with double output (split range or heating-off-cooling) the display 0...100% corresponds to the full output range of both outputs.

Example:

Heating-off-cooling (with normal characteristic curve)

OUT = 0 % corresponds to 100 % cooling

OUT = 50 % corresponds to 0 % cooling and 0 % heating

OUT = 100 % corresponds to 100 % heating

Possible operator actions

<▲> <▼> OUT indicator: change the output signal

Press and hold <Enter>, additionally press <▼>:

control output jumps to end value -5 %

Press and hold <Enter>, additionally press <▲>:

control output jumps to end value +105 %

<▼> <▲> SP indicator: increment/decrement the setpoint

<M/A> Switch over from manual to automatic mode

<SP-w> Switch over the setpoint (if configured)

<Menu> Select another menu level

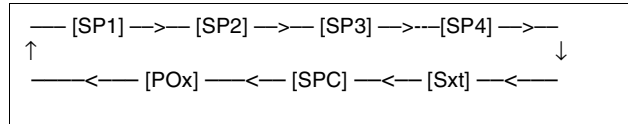
7.6 Setpoints

The <SP-w> button can be used to toggle between several setpoint sources, provided that the controller has been configured accordingly.

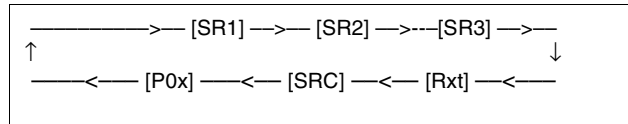
Possible setpoint sources are:

- setpoints SP1 to SP4 (SR1 to SR3) that can be selected on the device by pressing the <▲> or <▼> button or
- an external setpoint Sxt (Rxt) via analog input
- or
- a computer setpoint SPC (SRC) via serial interface
- or
- a programmer with 10 programs P01 to P10

Display in field /6/:



for ratio control



Unconfigured setpoints are suppressed.

Pressing the <SP-w> button will call up the current setpoint for display by the digital indicator, independent of the number of available setpoints.

The setpoint is indicated immediately, but first flashes and becomes active with a delay of 3 seconds. This means that only the last setpoint selected becomes active when the setpoints are switched over quickly.

7.7 Ratio controller

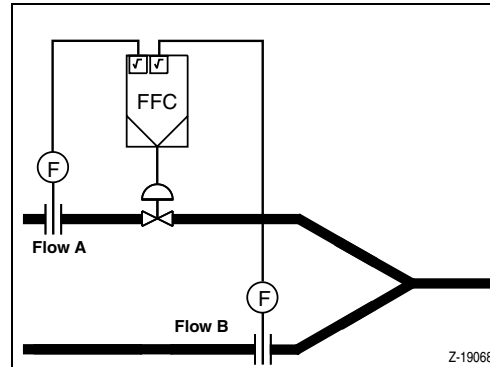


Fig.7-5 Ratio control



Fig.7-6 Display RPV and SR1,
z-19018 SR1 is adjustable

The ratio controller controls

$$RPV(\text{ratio process value}) = SR(\text{set ratio}) = \frac{FlowA}{FlowB}$$

or, depending on the configuration,

$$RPV = SR = \frac{FlowA}{FlowA + FlowB}$$

The ratio controller can output the actual ratio to an analog output (0/4...20 mA) if configured accordingly.

When the RPV and SR displays are configured, the ratio setpoint is indicated in the fields /5/, /6/ and /7/ of the digital indicator and can be set.

If configured accordingly, several setpoint sources (SR1 to SR3, Rexternal or program generator) can be selected by pressing the <SP-w> button.

The measured actual ratio is indicated in the fields /2/, /3/ and /4/.



Fig.7-7 Process value PV = flow A
and SP = setpoint flow A

z-19019



Fig.7-8 SR1 is adjustable

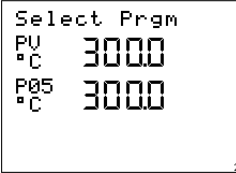
z-190051

When the PV and SP displays are configured, the calculated setpoint of flow A is indicated in the fields /5/, /6/ and /7/. The fields /2/, /3/, /4/ indicate the measured actual value of flow A.

Press the <Ind> button to call up the SR1 value in the display fields (/5/, /6/, /7/) and then change it.

7.8 Programmer

A programmer can be configured in the controller. Up to 10 different programs with 15 segments each can be saved. Refer to Section 12, Configuration for details about setting the values.



```
Select Prgm
PV      3000
▣
P05    3000
▣
```

Fig.7-9 Program has been selected,
z-19002 but not yet started

7.8.1 Selecting the program

If the programmer is configured, the [Pxy] display can be selected by pressing the <SP-w> button. The flashing Pxy display indicates the number of the currently selected program.

Press <▲> or <▼> to toggle between up to 10 saved programs (P01 to P10).



```
Start Prgm.?
PV      3000
▣
P05    3000
▣
```

Fig.7-10 Start?
z-19004

7.8.2 Starting the program

Once the Pxy display has stopped flashing, the program can be started by pressing the <Enter> button. The question if the program is to be started appears for 3 second in the text line. Confirm with <Enter>. The question mark is replaced with an exclamation mark for a few seconds. If the selection is not confirmed with <Enter> within 3 seconds, the selection is ignored and program selection is enabled again.



Fig.7-11
z-19006 Displaying the current
program setpoint 300.0 °C



Fig.7-12
z-19007 Program is in the 11th segment



Fig.7-13
z-19008 Program run time so far 2h:17min:02s

7.8.3 Displays during program execution

Press the <Ind> button to switch over the display, either while the program is being executed or after it has stopped. Besides the current setpoint the following items can be indicated:

- Program segment
- Program run time



Fig.7-14 Question: Stop program?
z-19009



Fig.7-15 Programmer has stopped
Program (Prgm) is flashing
z-19011

7.8.4 Stopping the program

When the <Enter> button is pressed again once the program is running, the question for the system stop seen here appears.

When the question is answered with yes by pressing the <Enter> button, a confirmation is shown for 3 seconds.

The program is stopped, and the [Prgm] indicator flashes. The question mark is replaced with an exclamation mark for a short time to confirm.



Fig.7-16 Fast forward indication
z-19012



Fig.7-17 Fast backward indication
z-19013

7.8.5 Fast forward/backward

When a program has been stopped, a fast forward/backward run can be achieved by pressing the <▲> or <▼> button. Actuating the <▲> button will shift the program forward to values later in time. When this button is pressed, the fast forward action is confirmed in the display.

How far the program has run forward can be derived from the set-point, the segment indicator or the time indicator.

A fast backward run of the program can be started by pressing the <▼> button.

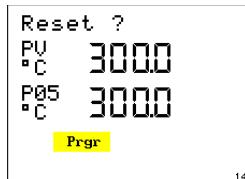


Fig.7-18 Question: Reset?
z19014



Fig.7-19 During running program switching
to other setpoints is not possible
z19-016

7.8.6 Resetting (cancelling) the program

If a program is restarted after it has been run down completely, it starts automatically in the 1st segment. No reset is required in this case.

A stopped program can be reset or cancelled by pressing the <SP-w> button.

If the question is answered with yes by pressing the <Enter> button within 3 seconds, the program is reset to the start. The message "Reset!" appears for a short time.

If the operator attempts to switch during a running program to another setpoint (e.g. SP1) by actuating the <SP-w> button, the warning "Program runs" appears in the display for 3 seconds, see Fig.7-19.

7.9 DDC control

With DDC control a supervisory computer provides for control. In case of a computer failure the Digitric controller bumplessly takes over control.

Possible operating modes

- LED is off
 - ⊙ LED is flashing with 0.5 to 1 Hz
 - ⊗ LED is flashing with 2 Hz
 - ☼ LED is on
- CR The computer is ready, i.e. there is regular data traffic via the serial interface.
- M, A LEDsto the side of button 19 on the front panel (Fig. 7-1)

**DDC configuration
with manual backup mode**

Operating mode	LED		CR
	M	A	
Manual	☼	●	0
Automatic	●	☼	0
DDC	disabled		0
Manual	☼	●	1
Automatic	●	☼	1
DDC	☼	☼	1
Backup mode			
M-backup	☼	⊗	0
M-backup	☼	⊙	1

**DDC configuration
with automatic backup mode**

Operating mode	LED		CR
	M	A	
Manual	☼	●	0
Automatic	●	☼	0
DDC	disabled		0
Manual	☼	●	1
Automatic	●	☼	1
DDC	☼	☼	1
Backup mode			
M-backup	⊗	☼	0
M-backup	⊙	☼	1

No computer ready signal (CR = 0)

As long as no computer ready (CR) signal is available, the controller cannot be switched to DDC mode.

Computer ready (CR = 1)

The changeover to DDC operation is enabled. In "manual" mode LED A flashes with low frequency. In "automatic" backup mode LED M flashes with low frequency.

It is possible to switch from DDC operation to manual or automatic mode at any time.

Computer not ready

If the CR signal is not received any longer, the controller takes over control in the configured mode.

In backup mode "manual" LED A flashes with increased frequency.

In backup mode "automatic" LED M flashes with increased frequency.

It is not possible to switch over to another mode (non-DDC).

The LED of the disabled mode flashes. The LED of the active mode is lighted permanently.

7.10 Stations

7.10.1 Manual station

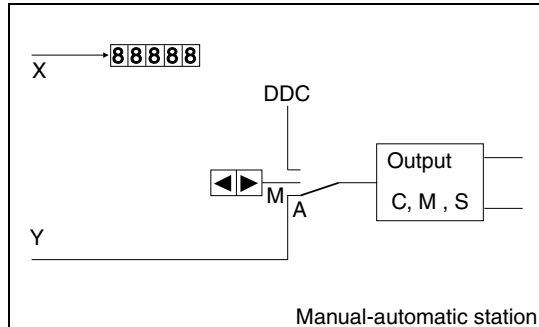


Fig.7-20 (z-19026)

Operating mode	LED		
	M	A	CR
Manual	☼	●	0
DDC	disabled		0
Manual	☼	●	1
DDC	☼	●	1
Backup mode			
M-backup	☼	●	0
M-backup	☼	●	1

The manual station is a controller that can be used in "manual" mode only.

All indicators that can be selected by pressing <Ind> do not display setpoints or the control deviation in this mode. The PV indicator can indicate a measured value which can be monitored for limit values.

The operation of the manual station depends on the respective configuration.

Manual station

With the manual station the control output can be set manually. All output types of the controller are possible.

Manual/automatic station (not step controller)

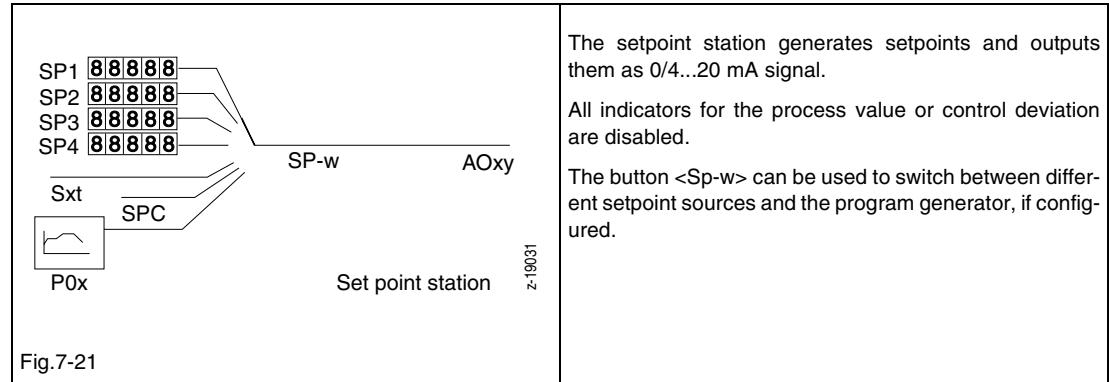
In automatic mode, this station applies an externally fed **continuous** signal to the output. It is possible to switch over to manual mode and set the output manually.

No step output is possible.

DDC manual station (no step controller)

The DDC manual station combines the functionality of the manual station with the manual function of the DDC controller.

7.10.2 Setpoint station

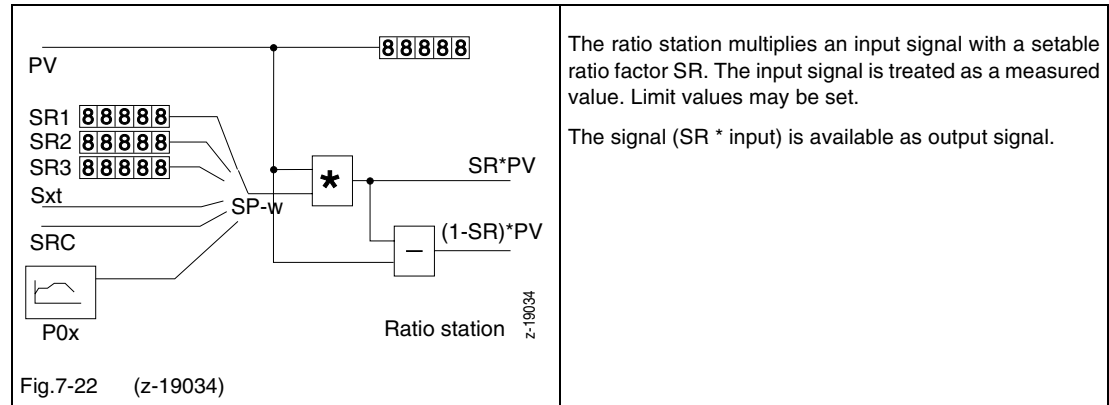


The setpoint station generates setpoints and outputs them as 0/4...20 mA signal.

All indicators for the process value or control deviation are disabled.

The button <Sp-w> can be used to switch between different setpoint sources and the program generator, if configured.

7.10.3 Ratio station




The ratio station multiplies an input signal with a settable ratio factor SR. The input signal is treated as a measured value. Limit values may be set.

The signal (SR * input) is available as output signal.

7.10.4 Positioner

The positioner is a motorized valve controller (step controller) which tracks the actuator position (valve position) to an external setpoint. This task requires position feedback. The returned position is indicated on the controller as the process value PV and the position feedback OUT.

7.11 Remote control (Profibus or Modbus)

<p>Only remote control</p> <div data-bbox="539 445 785 618"><p>The screenshot shows a digital display with the following text: 'TICA 301' at the top, 'PV 2500' in the middle, and 'SP1 2500' below it. To the right of the 'SP1 2500' line, there is a small black box with the white text 'Rem'. In the bottom right corner of the display area, there is a small number '35'.</p></div> <p>Fig.7-23 Remote control is active z-19035</p>	<p>The [Rem] indicator is active. The control buttons on the controller front panel are disabled, with some exceptions.</p> <p>Possible operator actions</p> <p><Ind> Permits to switch over the display</p> <p><Menu> Accesses the configuration menu, among other reasons to start remote control.</p> <p>Press <Menu> to switch to the menu level from which remote control can be disabled.</p>
--	--

8 Error information on the display

Operating notes	Meaning	Configuration
locked by BI	Access to parameterization, configuration, service, and supervisor level is blocked through a binary input.	I-B02-Q01 I-B02-Q02
generate	After configuration the instrument is busy with the program generation.	
locked for ST	Self-tuning is blocked for this control loop. It can only be released via the configuration.	L1- B01-Q05
no adj. possible	The selected input has not been activated for the type intended for the adjustment (e. g. no Pt100 input). This message is displayed for mA position feedback or remote transmitters fed with constant current, if the difference between start and end value is smaller than 10%.	
no adjustment	The configured module does not permit an adjustment respectively does not require an adjustment.	
local only	The instrument has only been configured for local operation. It cannot be switched to exclusive remote operation.	I-B04-Q01
remote only	The instrument has been configured for remote operation. For local operation it must be enabled via menu "Operate 2" or via the configuration.	I-B04-Q01

Table 8-1 Error information

Error message	Cause	Remedy
Error xxxx	An error occurred while processing the program. The number is intended as help for the service.	If this message does not disappear within a few seconds you can try to initiate a restart by switching off the supply voltage for approximately 60 s. If the error persists, the factory settings must be restored via the "supervisor" menu or the configuration must be reloaded via IBIS_R .
IP stopped!	Processing has been temporarily stopped. This error occurs during downloading.	If this message does not disappear within a few seconds after downloading you can try to initiate a restart by switching off the supply voltage for approximately 60 s. If the error persists, the factory settings must be restored via the "supervisor" menu or the configuration must be reloaded via IBIS-R+ .
Slot 1!	When downloading a configuration the configuration request a module that is located in the instrument.	Insert the correct module in slot 1 and register the module (I-B11-Q01 = 1).
invalid resp.	The response entered may be incompatible with other existing settings. Enter is activated together with this message.	Get the invalid response on the display with <Enter> and change it.

Table 8-2 Error information

9 Menu structure

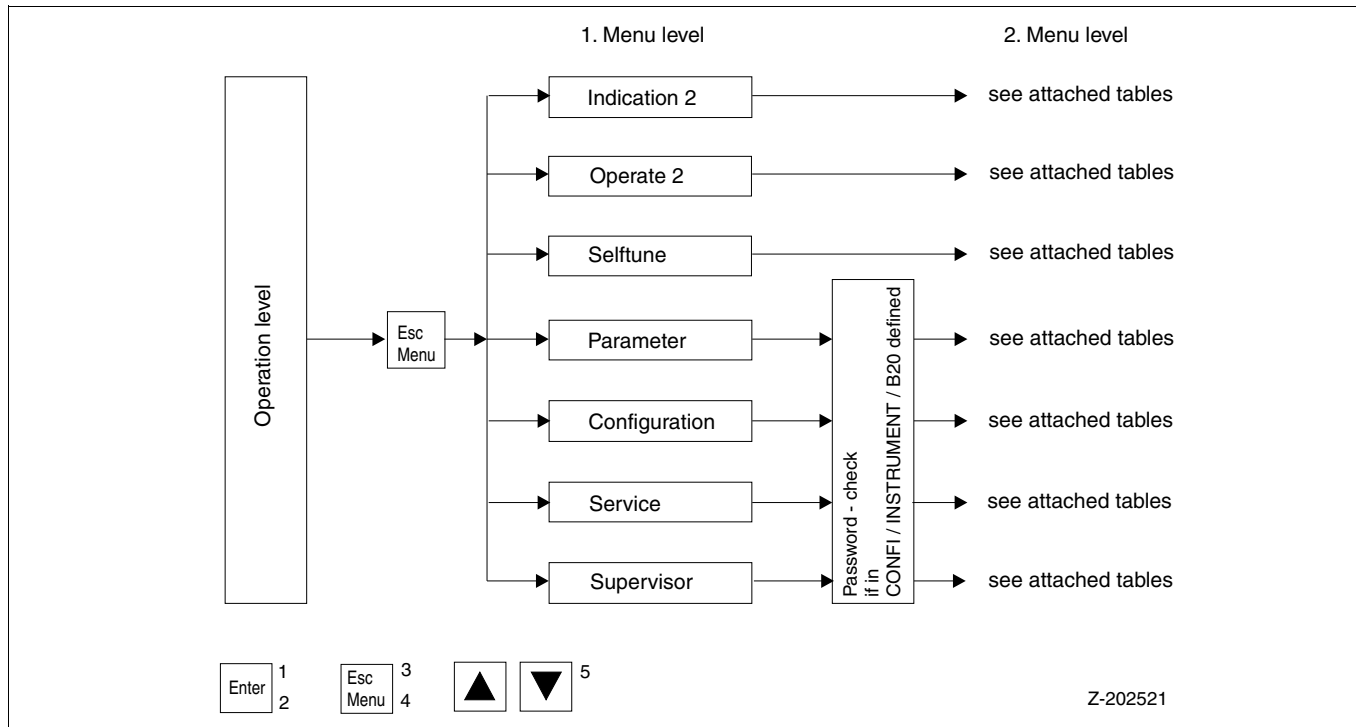


Fig. 9-1 Menu structure

- 1 Confirm selection, go down one menu level
- 2 Change or confirm input, go down one menu level
- 3 Go up one menu level without change (press 3 s → main operating level)
- 4 From main operating level to menu
- 5 Move sideways within one menu level

Indication 2

In this menu you can view all parameters, measuring values, and settings of the controller, but you cannot change them (see also tables and section 9.1).

Operate 2

In this menu you can toggle between local and remote operation.
(See also tables and section 9.2)

Selftune

Self-tuning is enabled in the configuration menu under
CONF1 / LOOP1 / B01 / Q05

After enabling it can be used without knowing a password
(see also tables and section 11.4).

Parameter

This menu contains the settings of the parameters required for the configured functionality. During parameterization the control action stays on (see also tables and section 11).

Configuration

This menu contains sub-menus for instrument function definition (e. g. actuator output type).
During configuration the control action is switched off (actuator outputs are frozen). (See also tables and section 12.)

Service

This menu contains sub-menus for calibration, Adjustment, etc. (see also tables).
Calibration is only required in exceptional cases. If it is not executed in an expert manner, the instrument is rendered unusable (see also tables and Section 14, Service).

Supervisor

This menu contains the sub-menus: Master reset, Plausibility, and Template (see also tables and Section 15, Supervisor).

9.1 Indication 2

9.1.1 Parameter display



Fig.9-2 Parameter display
z-19104

In this menu you can display all parameters of the instrument.

Parameter changes can only be performed via the password-protected parameterization menu.

9.1.2 Inputs/outputs

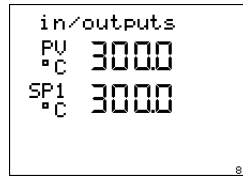


Fig.9-3 Start menu for displaying inputs and outputs
-19081

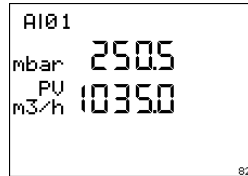


Fig.9-4 Analog input AI01 = 250.5 mbar
z-19082

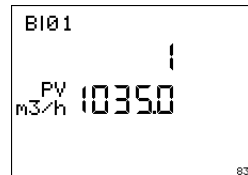


Fig.9-5 Binary input BI01 = 1
z-19083

In this menu you can display all binary and analog inputs and outputs used in the application.

Press <Enter> to switch to the next menu level.

The value of analog input AI01 is displayed in the first line of the selected scale.

The bottom line shows the PV. In simple control tasks with only one measuring value both values are identical, possibly with different decimal point position.

Press <▲> and <▼> to select the desired input or output.

Currently, binary input BI01 has the value logical "1".

9.1.3 Effective PID parameter



Fig.9-6 PID parameter display
z-19104

In this menu you can display the effective PID parameters of the instrument.

Parameter changes can only be performed via the password-protected parameterization menu.

9.1.4 Identification

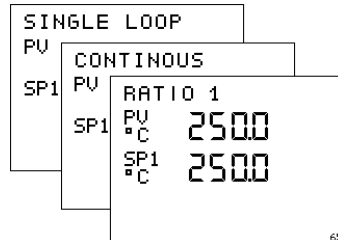


Fig.9-7 The display shows an example of the information when called from Loop 1.
z-19065

Selecting menu option "Identification" displays the function of the selected control loop.

9.1.5 Library identification

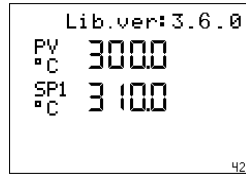


Fig.9-8 Library identification
z-19080

The configuration is based on library 3.6.0. This information is only relevant for processing the configuration with IBIS-R+.

9.1.6 Version display

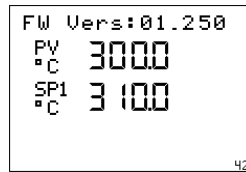


Fig.9-9 The firmware (instrument software) has the
z-19042 index 01.250

This is the firmware version used in the instrument itself. It may be required to know this version number when using the IBIS-R PC software.

9.2 Operate 2

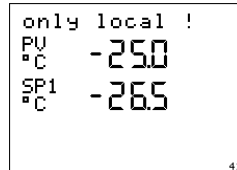


Fig.9-10 Not intended for remote operation
z-19041

If the instrument has been configured exclusively for remote operation, the remote operation can be disabled temporarily – e. g. for emergency intervention – via menu “Operate 2”.

Depending on the configuration the following display appears when selecting the menu option:

Not intended for remote operation

The operation cannot be changed.

Note

Remote operation means that values are input to the instrument via Modbus RTU respectively PROFIBUS DP.

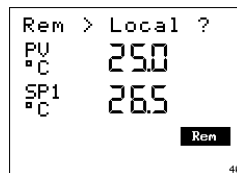


Fig.9-11 Remote operation is activated
z-19040

Remote operation is activated

Remote operation “Rem” can be toggled to local operation.

The question “Toggle to local operation?”

= “Rem>Local?” is confirmed with <Enter> or negated with <Esc>.

If the instrument is toggled to local operation the keys are enabled and [Rem] starts flashing.

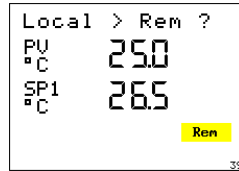


Fig.9-12 Remote operation is deactivated
z-19039

Remote operation is deactivated

Remote operation is – temporarily – switched off. Press <Enter> to restore the operating condition “Remote operation” as defined by the configuration. Then, the instrument can only be remote-operated.

[Rem] stops flashing.

10 Password protection

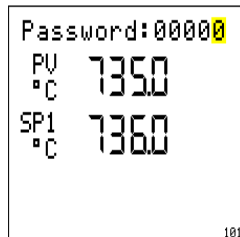


Fig.10-1 Input of password. 1st field from the right
z-19101

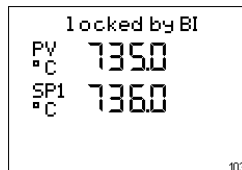


Fig.10-2 Locking the parameterization and
z-19103 configuration level via binary input

If the password protection has been configured (I-B20), you must enter a password to access the protected levels, by changing the predefined value "00000".

The password is a 5-digit number.

1. Shift a flashing (changeable) field:
<Ind>
2. Change digit:
<▲> and <▼>
3. Confirm password:
<Enter>

When the password is correct, the desired level is entered. You can now switch between all levels of the menu system without having to re-enter the password (Question: I-B20-Q01).

If the password is not correct, the main operating level is displayed again.

If a hardware lock has been configured (I-B02-Q01) and the binary input is set, the message "locked by BI" is displayed when attempting to open a protected level.

The message is displayed for 3 s, then the operating level is automatically switched back.

Cancelling the password input

Cancel with <Esc>

Forgotten password

If a password is no longer known, the password can be reset by temporarily rearranging a jumper within the instrument. For this action the control loop must be switched off. For further information refer to section 6.5.

11 Parameterization

During parameterization the instrument is online, i. e. all functions are in operation.

During parameterization the instrument should be set to manual, since the parameter changes could interfere with the automatic operation.

11.1 Parameterization menu

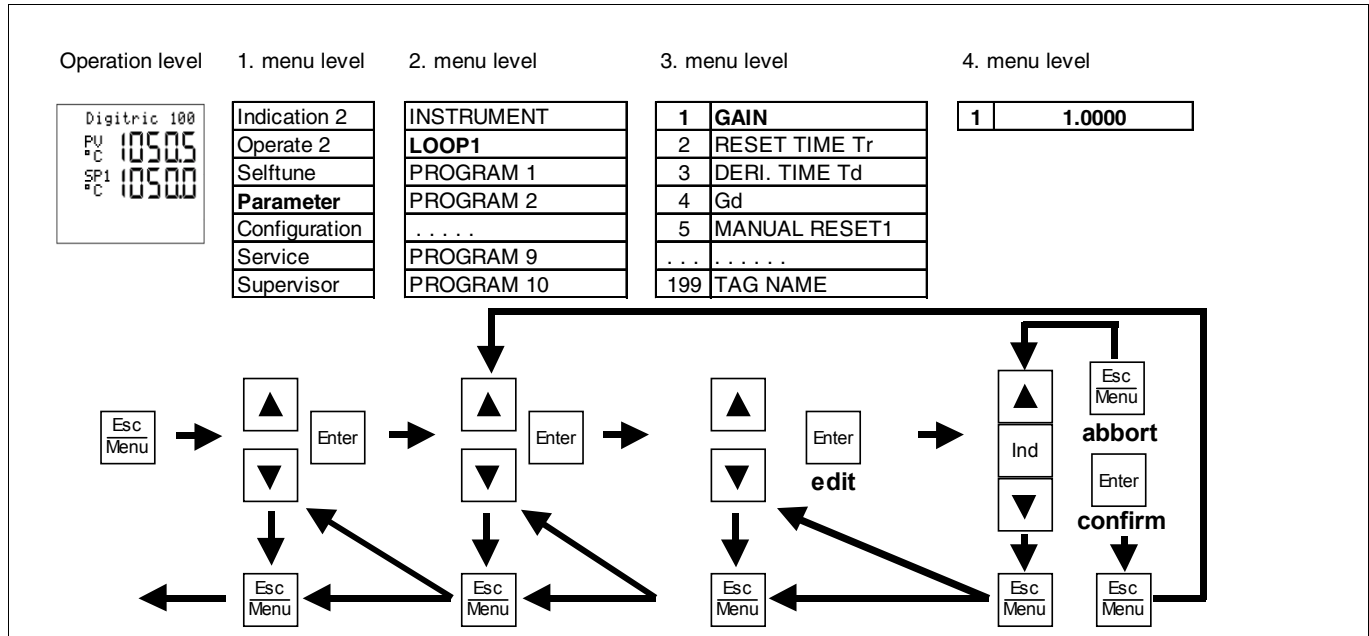


Fig. 11-1 Parameterization menu

11.2 Selecting and changing parameters

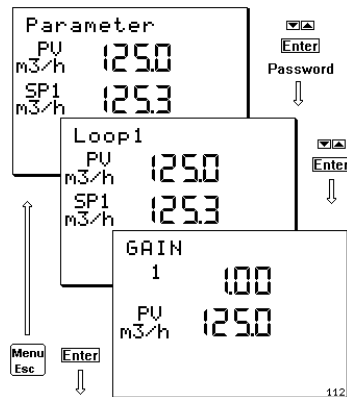


Fig.11-2 Selecting parameters
z-19112

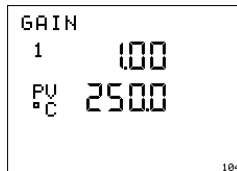


Fig.11-3 Gain selected for changing
z-19104

(Menu ●)

1. Go to parameterization menu:
<Menu>
2. If required, enter password (procedure according to items 4 through 8):

(Menu)

3. Select parameter:
<▲> and <▼>
4. Enable parameter change:
<Enter>

(Enter ●)

A parameter position flashes.

5. Change the flashing position:
<Ind>
6. Shift the decimal point:
Press and hold <Ind>
7. Change value:
<▲> and <▼>
8. Accept changed parameter (including decimal point change):
<Enter>
or
Discard changes:
<Esc>

Enter ●.

11.3 Parameter categories

The parameter tables in these instructions (Section 11, Parameterization) have the following headings:

Instrument	all parameters valid for the entire instrument.
Loop 1	parameters specific for a control loop.
Program 1-10	Programs 1 through 10 for the programmer (refer to section “programmer”).

11.3.1 Instrument parameterization

The parameterization for the instrument consists of the four linearization tables. The dimension (EU) depends on the configured application. It is not shown in the tables.

The tables can only be parameterized if the tables are linked into the configuration (e. g. AI-Bx-Q02).

11.3.2 Loop 1 parameterization

PID parameters (L1-P01 through L1-P19) and possibly L1-P25 through L1-P29

For a standard PID controller, only these parameters are accessible

Control output OUT1		Control output OUT2 (e. g. “Cooling”)	
01	Gain	25	Gain 2
02	Reset time Tr (only if integral part present)	26	Reset time 2 Tr
03	Derivative time Td (only if derivative part present)	27	Derivative time 2 Td
04	Derivative gain Gd (only if derivative part present)	28	Derivative gain 2 Gd
05	Manual reset MR (if no integral part present)	29	Manual reset 2 MR

The OUT2 parameters are valid for a 2nd control output (heating-off-cooling or split-range, if available).

If a parameter control has been configured (L1-B02-Q7...Q18), the required parameters from range P06 through P21 (OUT1) resp. P30 through P37 (OUT2) are in effect and visible on the display. The values currently in effect are also shown in P01 through P05 in menu option “Indication 2”/“Actual PID parameters” if parameter control (Gain scheduling) is active.

For parameter changeover, a binary input is used to toggle between start and end value of the values (P06 through P21 for OUT1, P30 through P37 for OUT2) parameterized for parameter control.

Self-tune L1-P125 - L1-P128

Using parameters P125 through P128 you can define limits for self-tuning, in order to guarantee that illegal operating situations cannot occur.

Control output (parameters L1-P55 through L1-P72)

Parameters P55 through P72 are only visible if the corresponding output function has been configured (L1-B01-Q02).

Control signal limits (P67 through P70) are always available. The factory setting render them ineffective.

The safety values P71, P72 depend on the configuration (L1-B07-Q03, Q05, Q06, and L1-B10-Q03, Q05).

Setpoint values (parameters L1-P75 through L2-P84)

Parameters P75 through P80 define the limits for the setpoint values and their change rate. The factory settings of parameters P77 through P80 render them ineffective.

Parameters P81 through P84 are only visible, if the setpoint values have been configured as parameters.
(L1-B05-Q02 ff.)

Alarm values (parameters L1-P91 through L1-P96)

If alarm value has been configured for monitoring the change rate, parameter P96 defines the time period during which the value set by P91 through P95 must not be exceeded as change.

There are only three values possible for P96:

1 = 0:00:01 h = 1 second

2 = 0:01:00 h = 1 minute

3 = 1:00:00 h = 1 hour

Example:

Alarm value 1 is supposed to switch at a change rate of more than 15°C/min:

AL1 L1-B08-Q01 = 11 (AL1: function dPV/dt)

 L1-P96 = 2 min

 L1-P91 = 15 15 (°C, if SP in °C)

Input evaluations (parameters L1-P101 through L1-P104)

These parameters are explained in the description of the input circuits.

Input ratio (parameters L1-P115 through L1-P117)

These parameters are only effective in ratio input circuits. They determine the limits of the ratio setpoint and the bias.

Disturbance feedforward (parameter L1-P120, L1-P121)

These parameters determine the transition function of a differential disturbance feedforward.

TAG name (parameter L1-P199)

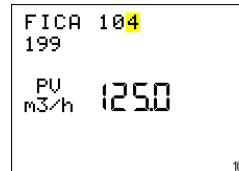


Fig.11-4 Parameter 199 "TAG name" selected for changing
z-19105

Parameter 199, the TAG name, is set in the text line (maximum 12 characters).

- <▲> and <▼> allow the setting of A...Z, a...z, +, ., /, %, _ ,), (, °, 9...0, space, –
- <Enter> terminates the input and takes over the text input.
- <Ind> moves the input position.

Exit parameterization level

<Menu> jumps one level up in the menu system.

If you press and hold this key longer than 5 seconds, the menu system is exited and you move back to the operation level.

Notes

11.4 Self-tune

Self tuning should only be started, if the process value has been constant for some time. Before starting selftune this can be achieved in manual mode.

For parameterizing a controller with the function HEATING-OFF-COOLING, the temperature of the controlled system must be high enough for cooling to become active, before self-tuning for COOLING can be activated.

Self tuning cannot be performed for motorized valve control (step control) and positioners. (See also tables.)

11.4.1 Procedure

For exciting the controlled process a jump is applied to the controlled process at the beginning of the self-tuning. This jump is taken away after an adjustable duration.

From this jump the controller recognizes the type of controlled process and the first parameters. For controlled process with compensation another jump is applied, in order to calculate the parameters more precisely.

11.4.2 Parameters

Four parameters have been defined for self-tuning in the parameter menu, these parameters must be adapted to the controlled process, if need arises:

Jump L1-P125

This value must be selected in such a way that a detectable change occurs in the controlled process, without the controlled process operating in a critical range. Factory setting: +5.0 %.

Max. jump duration L1-P126

Duration of first jump. The duration should be at least 1/10 of the expected control compensation time T_g . Factory setting: 0.25 min (15 s).

If the duration of the first test jump is long enough to accommodate a complete jump response (in either direction), no further jump will occur, not even for controlled processes with compensation.

Max. pos. control deviation L1-P127

Max. neg. control deviation L1-P128

If the control variable is likely to exceed the defined range, the first actuator pulse is decreased to the initial value.

Factory setting: 99999 EU

If – for controlled processes with compensation – a second jump is applied to the process the controller reduces this second jump in such a way that the limits will no longer be exceeded.

11.4.3 Starting self-tuning

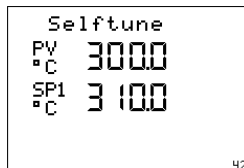


Fig.11-5 Self tuning
z-19043

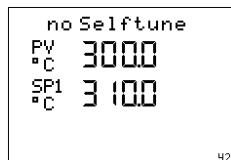


Fig.11-6 Locked for self-tuning
z-19143

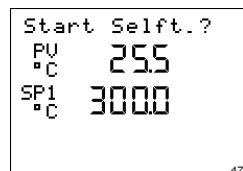


Fig.11-7 Start self-tuning?
z-19047

1. Call up self-tuning:
<Menu> <▼> <▼>
2. Self-tuning can only be started if it has been enabled in the configuration menu (L1-B01-Q05 > 0). If self-tuning is locked, the message "no Selftune" is displayed.
3. After selecting the menu option "Selftune", start self-tuning:
<Enter>

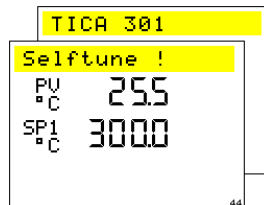


Fig.11-8
z-19044

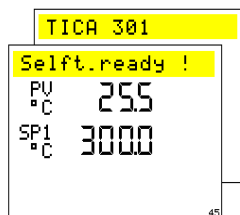


Fig.11-9
z-19045

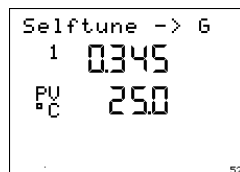


Fig.11-10
z-1952

The display jumps back to the main operating level. Now, loop selection is possible. The display in the text line of the loop with activated self-tuning toggles between TAG name and "Self-tuning".



Attention

While the parameters are determined, the loop is in manual operation. Actuator output and setpoint must not be changed manually in this situation. Manual operation is enabled for emergency intervention.

When self-tuning is finished, the display changes. When self-tuning is re-entered, (figure 11-6, then figure 11-11), the calculated values are offered for confirmation.

4. Switch between display of Gain, Tr and Td:
<▲>,<▼>
5. To change the displayed value:
<Enter>
<▲>,<▼>

or

Exit self-tuning:
<Esc>

11.4.4 Accepting the parameters

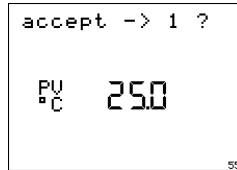


Fig.11-11 Accept ->1?
z-19055

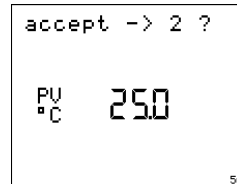


Fig.11-12 Accept ->2?
z-19056

After the determined values have been displayed and change, if required, they can be accepted.

1. Accept values:
<Enter>

For controllers with two actuator functions HEATING-OFF-COOLING or split-range you must decide whether the determined parameter set is to be used for HEATING (Accept ->1) or COOLING (Accept -> 2).

11.4.5 Rejecting the parameters

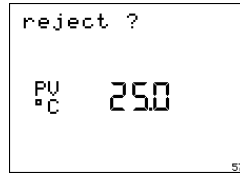


Fig.11-13 Reject?
z-19057

1. Reject parameters:
<Enter>
The previously set values are retained.

11.4.6 Cancelling self-tuning

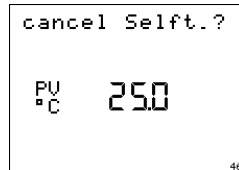


Fig.11-14 Cancel self-tuning?
z-19046

While self-tuning is executing, you can cancel self-tuning by re-entering the menu level and opening the self-tuning menu option.

1. Cancel self-tuning:
<Enter>
or
2. Do not cancel self-tuning:
<Menu>
The display jumps back to the menu level.

12 Configuration

In this Section you will find a detailed description of the configuration of the controller via front keys in the menu "configuration".

Please be advised that the configuration can also be done via the PC software IBIS-R.

In addition we want to point out the "quick configuration" facility in the menu "template". You will find a detailed description in Section 16, Quick configuration in the Template menu.

The "quick configuration" is very convenient and absolutely sufficient for many applications.

12.1 Selecting the configuration

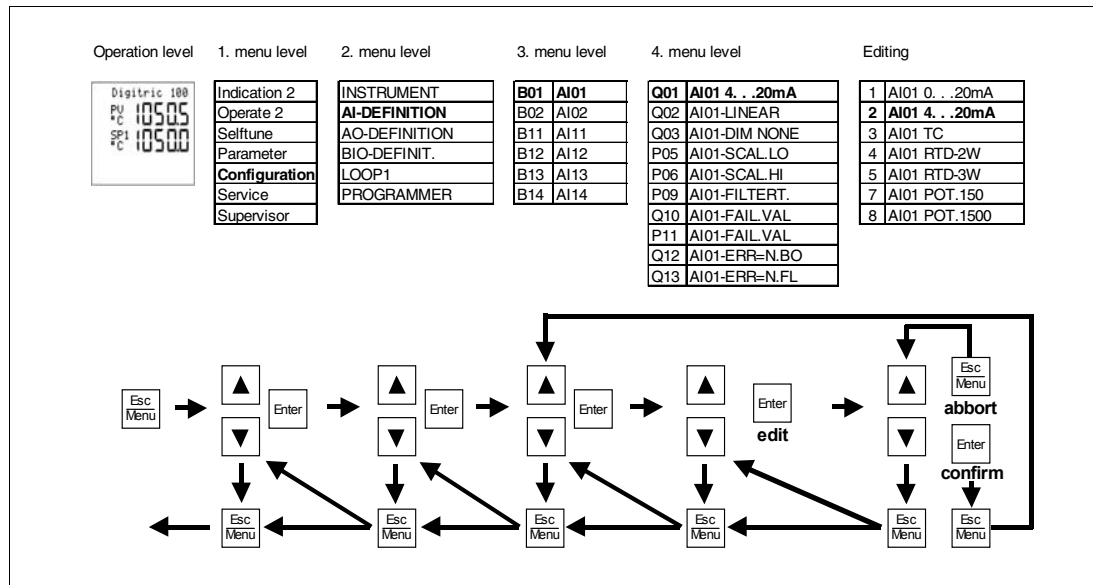


Fig.12-1 Configuration menu, example: configuring analog input AI01

12.2 Configuration table structure

The configuration tables depicted in these instructions (see end of the manual) are structured as follows:

Instrument	all parameters valid for the entire device.
AI definition	Analog inputs with the functions defining sensors, linearization, filtering, scaling
AO definition	Define signal ranges of the analog outputs
BIO definitions	Define binary inputs/outputs as inputs or outputs
Loop 1	Configure control function with the functions for actuator output, input relations, PID structure
State corr.1	Select and parameterize state correction.
Programmer	Activate programs

12.3 Sequence of configuration

The following sequence for the configuration of a new instruments is recommended:

1. Instrument
2. Analog inputs
3. State correction, if applicable
4. Analog outputs
5. Binary inputs/outputs
6. Control function

12.4 Changing the configuration

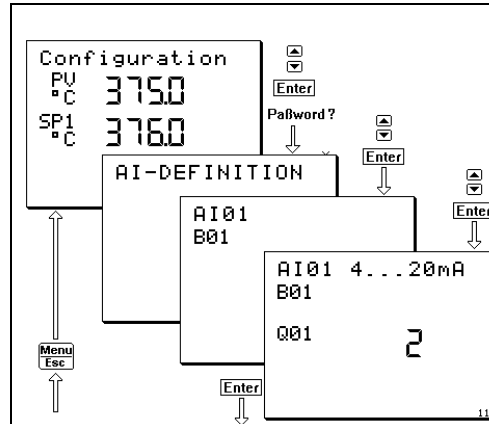


Fig.12-2 Selection of →AL-Def.→ B01 → Q01
z-19113

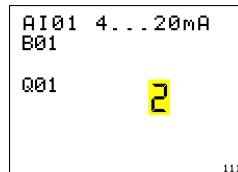


Fig.12-3 Changing the configuration
z-19111

During configuration, questions (Qx) or parameters (Px) may be offered for modification.

1. Enable the selected question/parameter for modification:
<Enter>

Enter ●

The enabled change flashes.

Questions are answered with a one- or two-digit number. Parameters require the input of values with up to 5 digits (see section "Parameterization").

2. Change the flashing position:
<▲>,<▼>
3. Move the flashing position:
<Ind>
4. Shift the decimal point:
Press and hold <Ind>

The text associated with the currently flashing number is displayed in the text line.

5. Accept selected answer:
<Enter>

Enter ●

The answer stops flashing.

12.5 Exit configuration menu

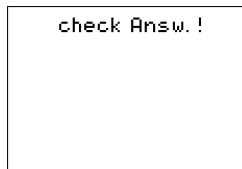


Fig.12-4 Check answer
z-19138

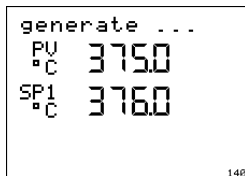


Fig.12-5 Generate...
z-19140

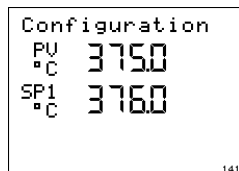


Fig.12-6 Configuration
z-19141

<Menu> jumps one level up in the menu system.

If you press this key longer than 5 seconds, the menu system is exited.

If the plausibility function is enabled (see section "Supervisor"), the instrument checks the configuration for completeness and plausibility when exiting the configuration menu.

Subsequently, the function settings are processed for execution.

After successful configuration the instrument switches back to the configuration menu.

1. Exit configuration menu:

<Esc>

13 Configuration examples

This chapter describes examples for some of the most important configurations. The configuration tables listed later in this document contain more details about the possible configuration options.

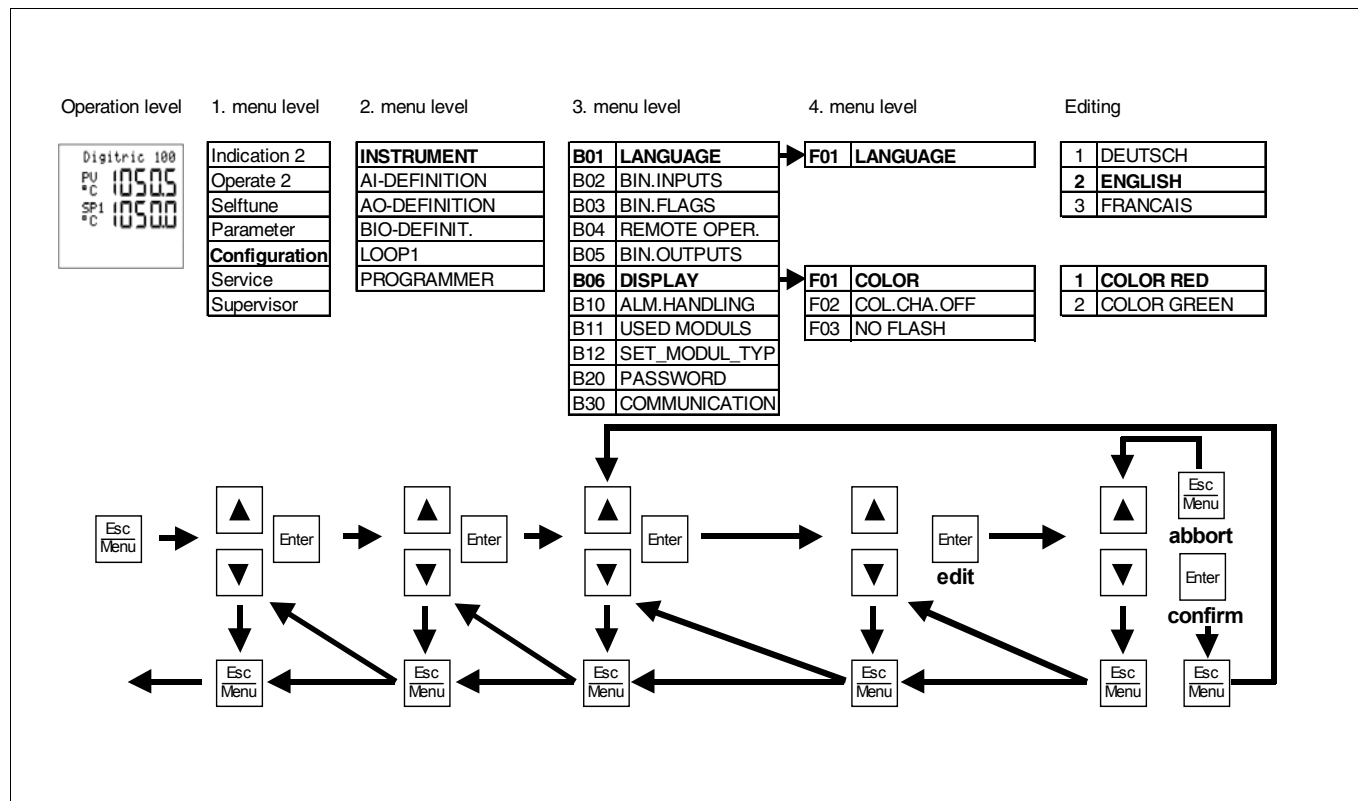
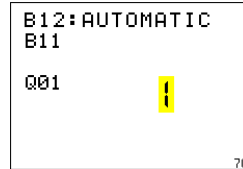


Fig. 13-1 "Instrument" configuration menu

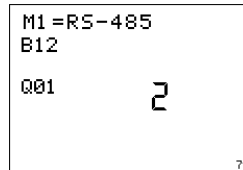
13.1 Device

13.1.1 Hardware



```
B12: AUTOMATIC
B11
Q01 1
```

Fig.13-2
z-19070



```
M1=RS-485
B12
Q01 2
```

Fig.13-3
z-19071

Special attention should be paid to item I-B11-Q01 "Hardware definition". Which input/output modules can be configured depends on the available modules that are registered in I-B12-Q01. When the hardware recognition is enabled (I-B11-Q01=1), the existing module is automatically recognized and entered in I-B12-Q01. I-B11-Q01 is then automatically reset to zero.

A module that does not (yet) exist can be entered manually in I-B12 to be considered for the configuration. However, the device cannot be commissioned with an incomplete hardware. In this case, the error message "Slot 1" is output.

13.1.2 Password



Fig.13-4 Setting the password
z-19117

The password is a number of up to 5 digits.

I-B20-Q01 = 0

Existing password is deactivated

I-B20-Q01 = 1

Password protection is enabled.

Upon exit from the menu system the password protection will become active immediately.

I-B20-Q01 = 2

Upon exit from the menu system the password protection will only be activated after 3 seconds. Within this delay it is possible to select the parameter or configuration level again without re-entering the password.

I-B20-Q02

Active password, changes enabled.
Parameter(s) being changed.

13.2 AI definition

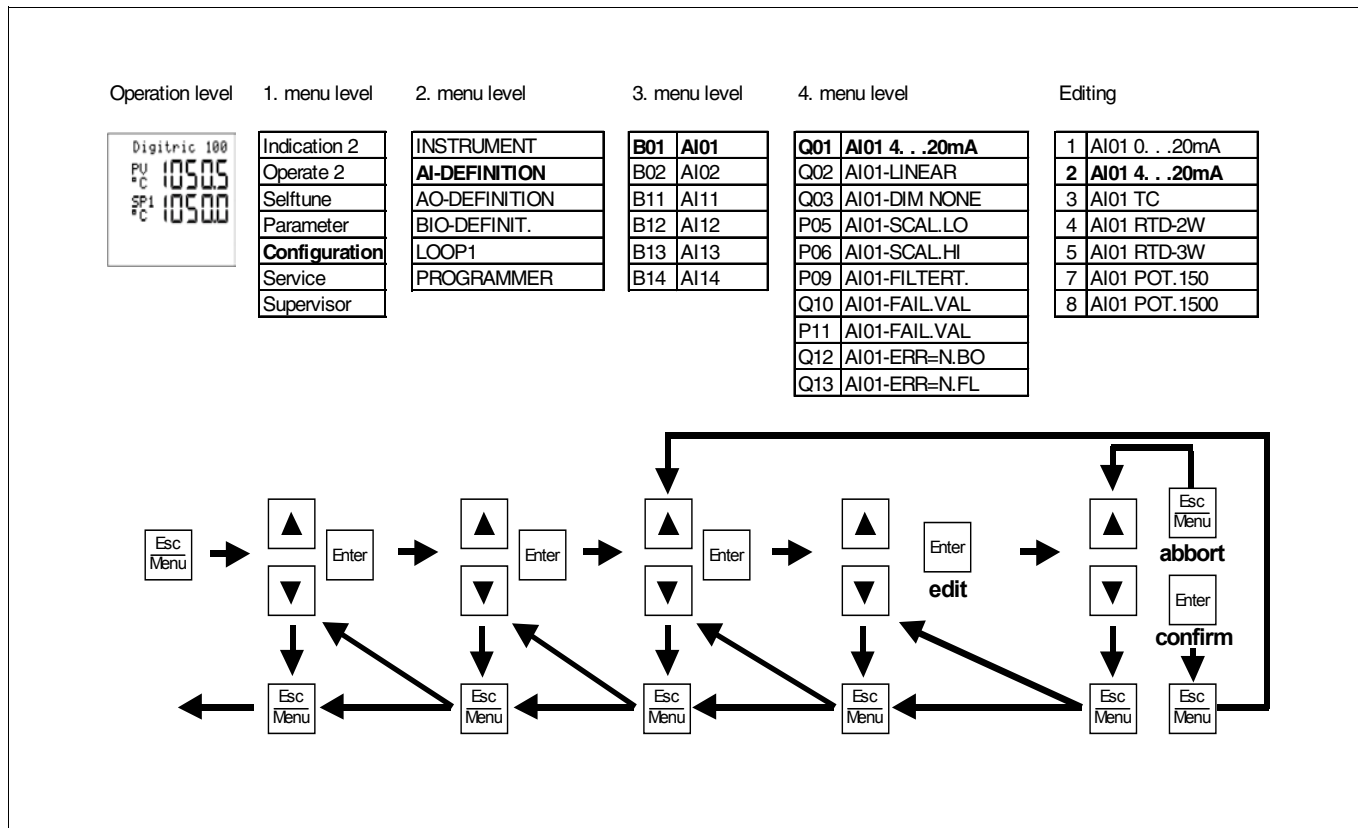


Fig. 13-5 Analog input menu

13.2.1 General

All analog input must be scaled to permit their further use in the device. The scaling is used to define the measuring values, which are then used as floating point values for all further processing steps in the device.

How the digital input, i.e. process value PV, is displayed in terms of the range and number of digits to the right of the point can be set independently.

Example:

Thermocouple type K

Measuring range of the sensor: -200...+1400 °C

Control range: 300.0...500.0 °C

AI01 is the universal input of the basic unit. The sensor is connected according to its type and connection diagram. The input type must be entered in the device module AI-B01-Q01.

AI02 is an optional universal input connected to the main board.

AI1y are the analog inputs of the module in slot 1; y represents the number of the input on the module.

13.2.2 Sensor problems

All inputs and sensor types are monitored.

1. Reaction of the controller:

AI-Bxy-Q10 = 1

In case of sensor troubles or cable break the missing measured value is replaced with a default value, which may be outside the normal measuring range to force the corresponding controller action.

AI-Bxy-Q10 = 2

L1-B07-Q06=1

An unchanged measured value is simulated to the controller. The controller output does **not** react on the sensor trouble.

2. Signal transmission:

With AI-Bxy-Q12 > 0 and AI-Bxy-Q13 > 0 signal transmission is possible independently of the controller reaction.

13.2.3 Dimension

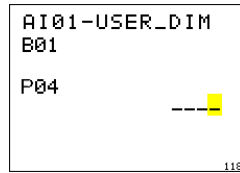


Fig.13-6 Defining a user-specific dimension
z-19118

Every input is scaled separately and can be provided with an own dimension.

In the first step, the dimension "°C" is assigned by default to all temperature sensor inputs.

AI-Bxy-Q03

provides various dimensions for selection. If the needed dimension is not available, a 4-digit dimension can be created in AI-Bxy-P04 by setting AI-Bxy-Q03 = 1.

13.2.4 Filtering



Fig.13-7 Filter time constant 0.00.20 h = 20 s
z-19120

All measuring signals can be attenuated with a first degree delay filter to suppress all measured value variations and the troubles resulting from them. The time constant can be set with AI-Bxy-Q09 (max. 0.02.00 h = 2 min).

13.2.5 mA inputs

AI-Bxy-Q01 = 1,2	Signal range 0 or 4 to 20 mA.
AI-Bxy-Q03	Measured value is indicated linearly and with the selected scaling.
AI-Bxy-P05	Display with measured value 0 or 4 mA.
AI-Bxy-P06	Display with measured value 20 mA.
AI-Bxy-Q02 = 2,3	Measured value is square-rooted. Below PV0 the resulting measured value is forced to 0 or replaced with a linear calculated value.
AI-Bxy-P08	Used for setting PV0.
AI-Bxy-Q02 = 4...14	If the measured value is provided by a non-linearized temperature transmitter, the sensor characteristic may be used by default. With AI-Bxy-P05 and P06 the transmitter range can be set.

Example:

Transmitter

300 to 700 °C, type K = 0... 20 mA, mV-proportional:

AI-Bxy-Q01 = 1

AI-Bxy-Q02 = 6

AI-Pxy-Q05 = 300,0

AI-Pxy-Q06 = 700,0

AI-Bxy-Q03 = 3 (automatic)

13.2.6 Thermocouple input

AI-Bxy-Q01 = 3	Thermocouple.
AI-Bxy-Q02 = 4...13	Selection of thermocouple type.
AI-Bxy-Q03 = 3	Can be switched to °F; AI-Bxy-Q03 = 4.
AI-Bxy-Q07 = 0...4	Depending on the reference junction compensation.

13.2.7 Resistance thermometer input

AI-Bxy-Q01 = 4, 5, 6	Depending on the used connection type
AI-B01-Q02	There are 2 ranges for AI01: = 13 -200.0...+200.0 °C = 15 -200.0...+800.0 °C
AI-B02-Q02	As AI01, if existing, 4-wire circuitry is also possible. With 2-wire circuitry line balancing (adjustment) is required (see Section "Service").

13.2.8 Teletransmitter input

Usually, the upper and lower range values must be adjusted for teletransmitter measurement. Refer to Section "Service" for detailed instructions. The scaling and linearization are the same as for mA-inputs.

Universal input AI01 for teletransmitter measurement:

AI-B01-Q01 = 7 or 8

Universal input AI02 for teletransmitter measurement:

AI-B02-Q01 = 7 or 8

13.3 Characteristic curve

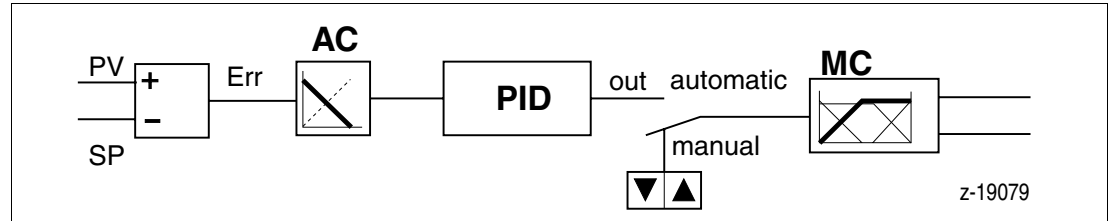


Fig.13-8

There are two characteristic curves for controllers. Proceed in the order seen below to set them:

Manual characteristic curve (MC) L1-B01-Q03

The manual characteristic defines how the controller output reacts upon actuation of the manual control buttons <▲> and <▼> (this function is defined by the type of wiring when using step controllers).

The requirements specified for this result from the safety aspects that are relevant for the control unit.

Example:

Valve is spring-opened and is closed in proportion with the output current, i.e. it is open when not under power.

or

Valve is spring-closed and is opened in proportion with the output current, i.e. it is closed when not under power.

Through selection of the proper characteristic curve it is possible to open the valve by actuating the < ▲> button, independent of the type. An open valve is indicated through $y = 100\%$.
The MC block may additionally define splitting of the PID function output signal into two output signals with the same or different characteristic curves (split-range).

Automatic characteristic curve (AC) L1-B02-Q01

The automatic characteristic curve defines how the controller reacts upon a change of the controlled variable, i.e. whether the output shall increase or decrease with increasing process value. Is the system cooling to be intensified with increasing temperature, or shall heating be reduced?

Observe the selected manual characteristic curve when setting the automatic characteristic curve.

13.4 Setpoints

Up to 7 setpoint sources are available in the controller:

- up to 4 setpoints (SP1 to SP4) that can be entered manually or via the serial interface
- 1 external setpoint Sxt, in conjunction with an analog input,
- 1 computer setpoint SPC and
- 1 programmer with 10 programs P01 to P10.

Which of the setpoints are available is defined by configuring the device accordingly.

13.4.1 Setpoint 1

- | | |
|----------------|--|
| L1-B05-Q01 = 0 | Setpoint SP1 can be switched off for applications with only an external setpoint.
Setpoint SP1 cannot be activated with ratio control. |
| L1-B05-Q01 = 1 | Setpoint can be changed via the control buttons or via the interface. |
| L1-B05-Q01 = 2 | When another setpoint is active, the setpoint SP1 follows the active setpoint.
This permits bumpless transfer to setpoint SP1. |
| L1-B05-Q02 = 0 | The current setpoint is not saved in the configuration.
It cannot be transmitted to another device together with the configuration data. |
| L1-B05-Q02 = 1 | On the parameter level L1-P81 is set as setpoint SP1 and saved accordingly. This value can be transmitted to other devices. Setpoint changes on the operation level resulting from the process are not saved in the configuration. |

13.4.2 Setpoint SP2 to SP4 = Ratio setpoint SR1 to SR3

It can be configured for every setpoint if:

- it can be changed via the front panel
- it can be changed and saved as parameter L1-P82 to L1-P84 or
- it is active as absolute value or differential value as compared to setpoint 1 (difference can only be set on the parameter level).
- For ratio control the setpoints SP2 to SP4 always correspond to the ratio setpoints SR1 to SR3. Setpoint SP 1 does not exist.

13.4.3 Computer setpoint

The computer setpoint can only be modified via the interface.

13.4.4 Setpoint ramp

The setpoint ramp is always active, but is practically disabled through the factory setting 99999 EU/s.

The setpoint ramp function can be enabled with L1-P77 (increasing ramp) or L1-P79 (decreasing ramp).

Setpoint display during transfer from old setpoint to target setpoint:

L1-B05-Q09 = 1 Target setpoint displayed

L1-B05-Q09 = 2 Current setpoint, defined by the ramp is displayed

13.5 Programmer

One programmer saving up to 10 programs with 15 segments each is available.

13.5.1 Configuring programs

The individual programs can be activated in the configuration menu (P-B01-Q01 to Q10):

- 0 Program is not active and cannot be selected via the front panel.
- 1 The program starts with the initial setpoint programmed with P-P01.
- 2 The program starts with the actual value at that time (PV_0) and not with the initial setpoint.

The gradient $\frac{|P_2 - P_1|}{T_1}$ is calculated.

The program setpoint then runs up/down as a ramp value with a positive or negative gradient until reaching the setpoint P_2 . The duration of segment 1 is prolonged/shortened accordingly. If $P_1 = P_2$ (i.e. gradient is 0), the program setpoint changes within the configured time T_1 from PV_0 to P_2 .

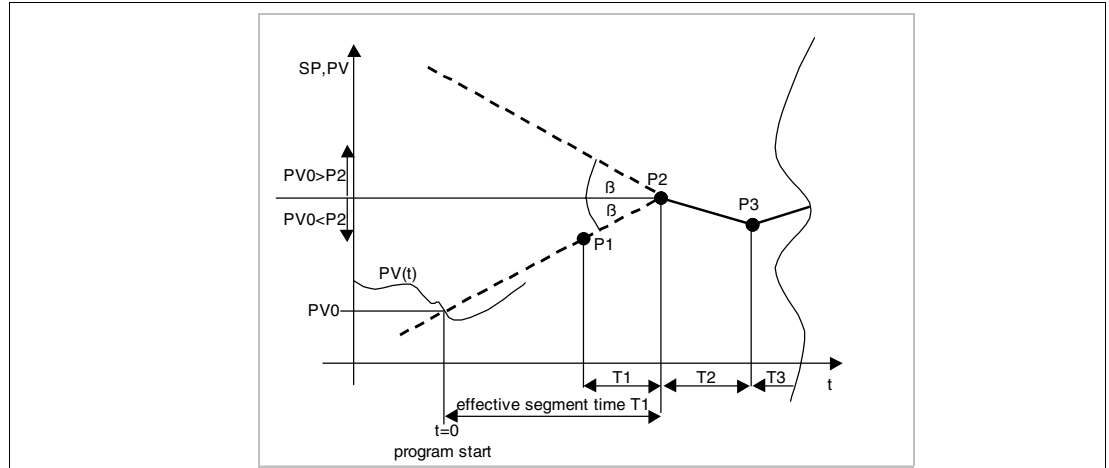


Fig.13-9 Program start

Additionally, it can be configured how programs shall behave when the power returns (P-B02-Q01):

- 0 Program is reset upon power return

- 1 Program restarts in the previous operating mode, i.e. continues at the same point where it has stopped when the power outage occurred:
Exception:
If the program is configured to start up with the actual value, this is not valid when the program is in the first segment when the power outage occurs.

13.5.2 Parameterizing programs

Parameters P-P01 to P-P31

The program generator parameters Px-P01 to Px-P31 define the behavior of the setpoint in dependence of the time. Parameter Px-P01 is the initial value. The value of parameter Px-P02 is reached after a time period Px-P17. For a step response the time has to be set to "0".

Note

A segment with an end value of -9999 will terminate the program when the previous segment has been run through.

Parameters P-P32 to P-P46

There are four binary tracks that are time-synchronous with the segments of the setpoint program. These four binary tracks can be set in each segment. The sum of the wanted outputs is to be entered in the respective parameter:

Binary track 1 set in segment s: $Px-P(31+s) = 1$

Binary track 2 set in segment s: $Px-P(31+s) = 2$

Binary track 3 set in segment s: $Px-P(31+s) = 4$

Binary track 4 set in segment s: $Px-P(31+s) = 8$

Example:

Binary tracks 1, 3 and 4 are to be set in segment 2:

$Px-P33 = 13 = 1 + 4 + 8$.

The 4 binary tracks can be applied to the binary outputs of the controller under L1 - B11 - Q10 to Q13.

Parameters P-P47 to P-P49

The parameters Px-P47 to Px-P49 can be used to configure a loop between the segments number Px-P47 and Px-P48. After reaching the end of the segment Px-P48, the program generator will run through this loop until the total number of runs reaches the amount set under Px-P49. After this, the remaining segments will be processed.

Parameters P-P50 to P-P64

The parameters P-P50 to P-P64 are used to define whether or not the program is stopped in the individual segments when the measured value cannot follow the given setpoint.

This will stop the ramps, and hold times will only run when the measured value is within the tolerance band (setpoint \pm tolerance). The factory setting 99999 disables this function.

13.5.3 Programming table for a program

x = program; x = 01 to 10

segment	setpoint	segment time	tolerance (+/-)	4 binary tracks
1	Px-P1 = start value Px-P2 = end value	Px-P17	Px-P50	Px-P32
2	Px-P3 = end value	Px-P18	Px-P51	Px-P33
3	Px-P4 = end value	Px-P19	Px-P52	Px-P34
4	Px-P5 = end value	Px-P20	Px-P53	Px-P35
5	Px-P6 = end value	Px-P21	Px-P54	Px-P36
6	Px-P7 = end value	Px-P22	Px-P55	Px-P37
7	Px-P8 = end value	Px-P23	Px-P56	Px-P38
8	Px-P9 = end value	Px-P24	Px-P57	Px-P39
9	Px-P10 = end value	Px-P25	Px-P58	Px-P40
10	Px-P11 = end value	Px-P26	Px-P59	Px-P41
11	Px-P12 = end value	Px-P27	Px-P60	Px-P42
12	Px-P13 = end value	Px-P28	Px-P61	Px-P43
13	Px-P14 = end value	Px-P29	Px-P62	Px-P44
14	Px-P15 = end value	Px-P30	Px-P63	Px-P45
15	Px-P16 = end value	Px-P31	Px-P64	Px-P46

Table 13-1 Programming table

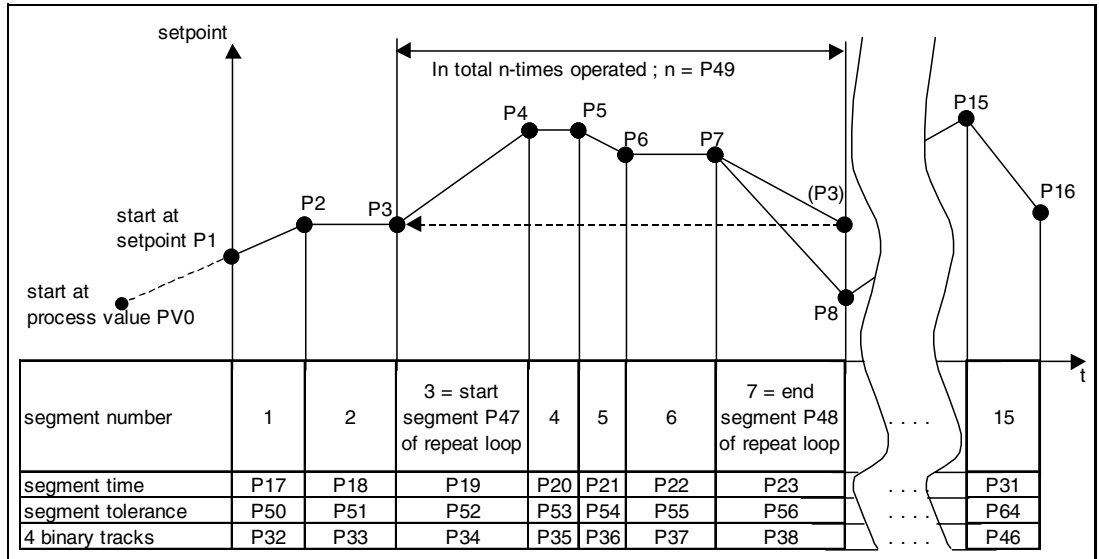


Fig.13-10 Programmer with loop, segments 3 to 7

13.6 Fixed-value control

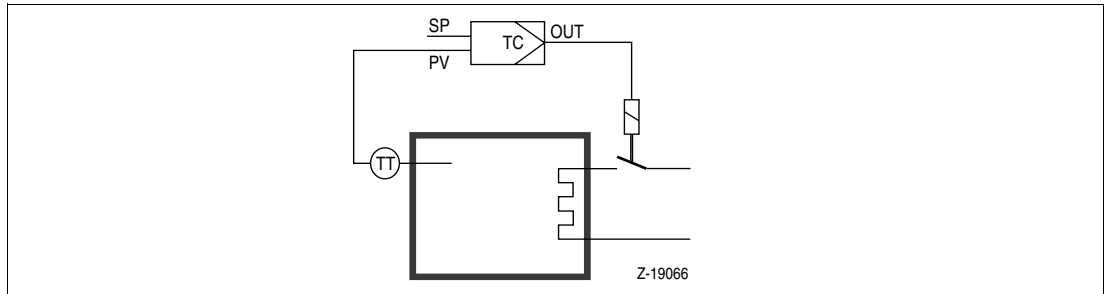


Fig.13-11 Fixed-value control

13.6.1 Task

The process value PV is controlled until reaching setpoint SP generated inside or outside the controller. When used for steam or gas flow control, a state correction function may be enabled additionally (see “State correction”).

13.6.2 Configuration

Input linkages

L1-B03-Q01 = 1;	Input circuit for fixed-value control.
L1-B03-Q02	Not used.
L1-B03-Q03	Usually 2; Err in EU.
L1-B03-Q04	Dimensions for PV/SP display.
L1-B03-P05	User-defined dimension.
L1-B03-Q06	Decimal point position in the digital indicator.
L1-B03-P07	Value (number) for lower range value of digital indicator.
L1-B03-P08	Value (number) for upper range value of digital indicator
L1-B03-P16	Desired lower range value for analog indicator
L1-B03-P17	Desired upper range value for analog indicator

The difference between L1-B03-P08 and L1-B03-P07 is the reference value for Gain. For a P-controller with Gain = 1 an output change of 100% results from a input change of P08 - P07.

13.6.3 Example 1

Thermocouple type K, measuring range -200...+1400 °C: Correct values will be achieved between -200 °C and +1400 °C.

Control range

900.0 to 1100.0 °C with one digit to the right of the decimal point:

L1-B03-Q04 = 3 Indication in °C

L1-B03-Q06 = 1 Decimal point position 0000.0

Note

When the number of digits or decimals of the measured value exceeds the number of digits of the display, the number of decimals is automatically reduced.

L1-B03-P07 = 900 Lower range value

L1-B03-P08 = 1100 Upper range value

No need to change the position of the decimal point.

Analog indicator

L1-B03-P16 = 900 Lower range value

L1-B03-P17 = 1100 Upper range value

Any other setting between -200 and +1400 is possible and permitted if it makes sense from the point of view of the plant. No need to change the position of the decimal point.

Annotation

Since Digitric 100 has no analog indicator, this setting is only relevant if the signal is applied to an analog output (0/4...20 mA).

Setpoint limits

The setpoint limits should be set to useful values within the range of control.

L1-B03-P75 $SP_{\min} = 900$ (°C)

L1-B03-P76 $SP_{\max} = 1050$ (°C)

13.6.4 Example 2

Fixed-value control with state correction.

The inputs needed to calculate the flow rate must be configured in the appropriate units (mbar, bar, °C). The resulting signal can, for example, be calculated in m³/h.

Measuring range

0...20000 m³/h After state correction

Control range

Same as measuring range

L1-B03-Q04 = 7 Indication in m³/h

L1-B03-Q06 = 0 No decimal point position

Note

With a display up to 20000 no digit to the right of the decimal point is possible.

L1-B03-P07 = 0 Lower range value

L1-B03-P08 = 20000 Upper range value

Analog indicator

L1-B03-P16 = 0 Lower range value

L1-B03-P17 = 20000 Upper range value

Setpoint limits

The setpoint limits should be set to useful values within the range of control.

L1-B03-P75 SPmin = 5000 (m³/h)

L1-B03-P76 SPmax = 18000 (m³/h)

Analog input routing

Usually, the following is valid for single-loop controllers without modules:

L1-B04-Q01 = 1: Input AI01 = process value PV.

However, another configuration is also possible. The second analog input AI02 can execute various tasks:

1. Position feedback for step controllers

 L1-B01-Q04 = 2

2. External setpoint

 L1-B05-Q06 = 2

3. 2nd switchable measured value source
L1-B04-Q02 = 2 together with
L1-B04-Q06 = 1 to 16, depending on the available binary input

Note

The two measured values must have the same dimension, but may have different measuring ranges.

Examples:

- Level control of two different tanks.
 - Temperature control with thermocouple measurement up to 1200 °C and pyrometer measurement between 1000 and 2500 °C.
4. Parameter control
Gain: L1-B02-Q07 = 13 or/and
Tr: L1-B02-Q10 = 13 or/and
Td: L1-B02-Q13 = 13 or/and
MR: L1-B02-Q16 = 13 or/and
 5. Disturbance variable feedforward
L1-B02-Q25 = 2 together with
L1-B02-Q26 = 1 to 4
 6. Output tracking
(Output is temporarily forced to value of input 2, not for step controllers)
L1-B10-Q10 = 2 together with
L1-B09-Q11 = 1 to 16 (Blxy)

13.7 Multi-component control

The multi-component input circuit is used to calculate the actual value PV from several measured variables.

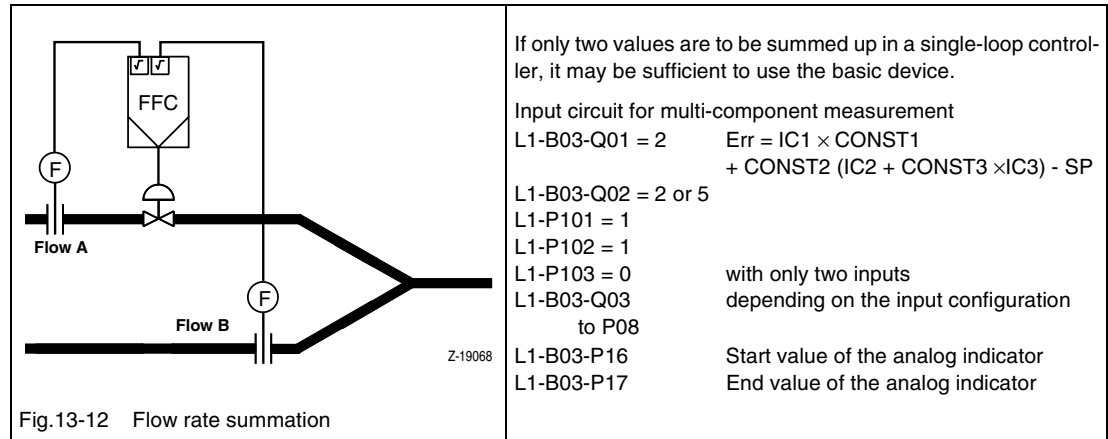
13.7.1 Application

Summation circuits for measuring signals or setpoints.

Example: Control of the cumulative values of two flow rate signals.

Additionally, state correction is possible and can be integrated for gas or steam flow measurement (see the respective section of this manual).

13.7.2 Configuration



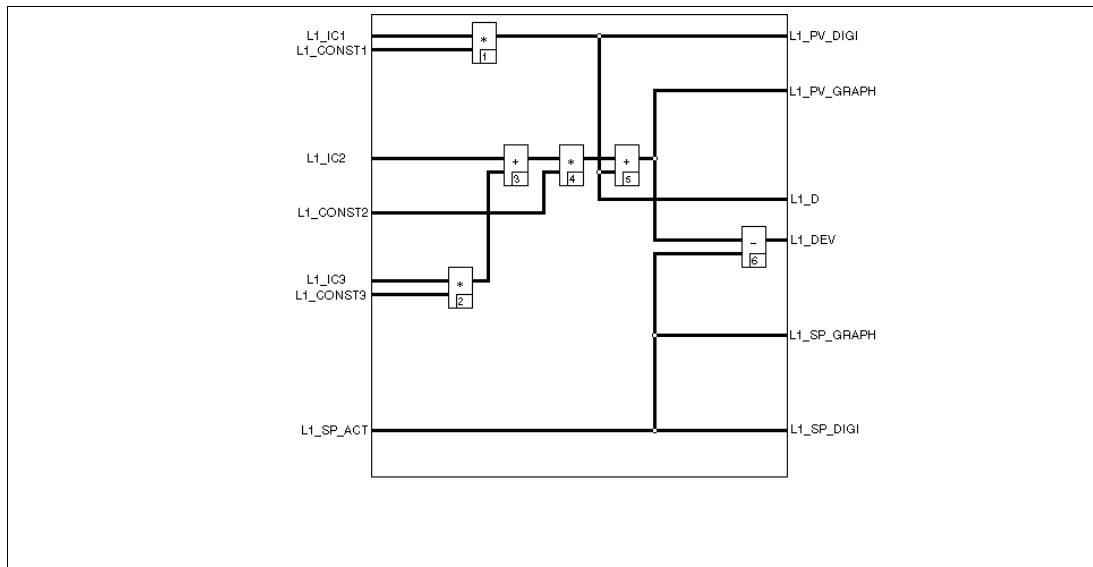


Fig.13-13 Multi-component input circuit

z-19095

- .L1_ICx Inputs of the multi-component input circuit routed via L1-B04-Q0x with the analog inputs Alxy
- .L1_CONSTx Evaluation factors CONST1 to CONST3 = L1-P101 to L1-P103
- .L1_SP_ACT Current setpoint
- .L1_PV_DIGI Digital indicator for PV
- .L1_SP_DIGI Digital indicator for SP
- .L1_PV_GRAPH Analog indicator for PV
- .L1_SP_GRAPH Analog indicator for SP
- .L1_D To derivative action
- .L1_DEV Control deviation

13.8 Ratio control

The ratio input circuit is used to proportion the controlled variable to the measured variable.

13.8.1 Ratios and setpoints

Several ratio sources SR1 to SR3 (setpoint = SP2 to SP4), one external ratio setpoint (input current), the programmer, and a computer ratio setpoint are available as ratio setpoints.

All ratio input circuits can also be used as fixed value/ratio input circuits. In this case, the setpoint SP1 is added.

The circuitry can be configured in such a way that the setpoint SP1 is tracked as long as it is not used, to ensure bumpless transfer from ratio to fixed value control.

Configuration:

L1-B05-Q01 = 3 The setpoint SP1 is tracked during ratio control.

The ratio setpoint SR1 can be configured to track another ratio setpoint in case of fixed value control or when another setpoint is used. Thus, a bumpless transfer to the ratio setpoint SR1 is possible.

Configuration:

L1-B05-Q03 = 6 The setpoint 2 = SR1 is tracked to the current ratio.

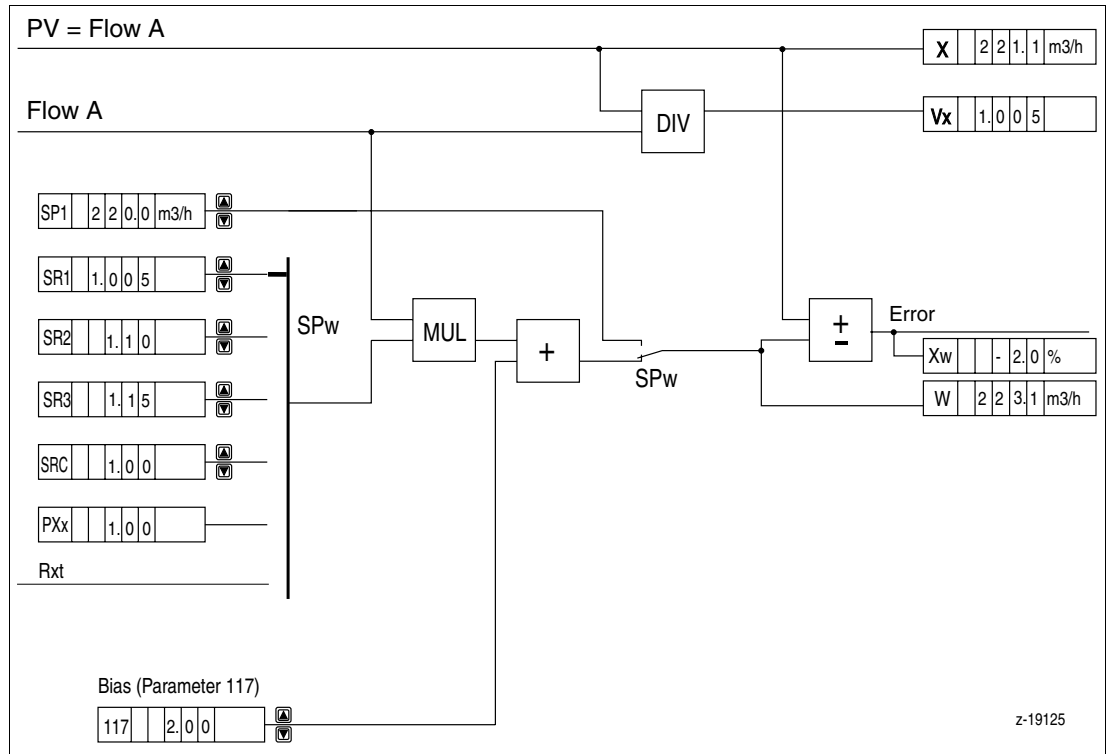
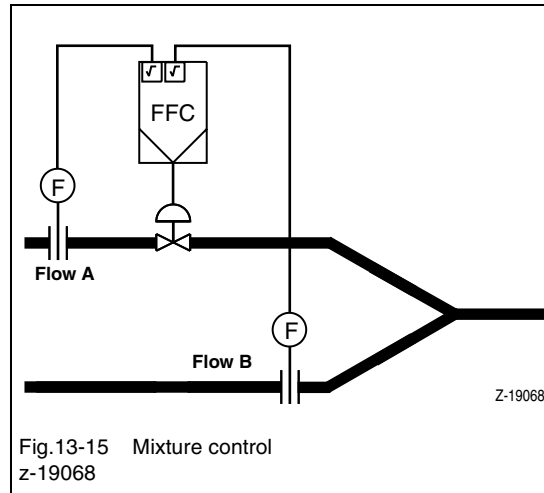


Fig.13-14 Schematic diagram of the input linkages for "ratio A/B" without signal conditioning for A and B and without scaling or limiting parameters.

13.8.2 Ratio control: Mixed control



There are two different ways to set the appropriate set-point ratio in mixed control applications used in the field of process engineering:

Mixture ratio of the two components:

Ratio 1 $RPV = \text{Flow A} / \text{Flow B}$

Example: neutralization control

Portion of a component related to the final product:

Ratio 2 $RPV = \text{Flow A} / (\text{Flow A} + \text{Flow B})$

Example: fat content of milk products

The input routing is as follows: Flow A always has to be linked with IC1, Flow B with IC2.

Besides the necessary input routing in dependence of the input modules and their arrangement the following configuration is required.

Configuration of ratio 1: (A/B)

Mixture control $RPV = \text{Flow A} / \text{Flow B}$

RPV is the actual value and can theoretically assume any value between 0 and an infinite value.

L1-B03-Q01 = 4 or 5 Ratio or fixed value/ratio

The following user-specific settings can be made for the analog indicators:

L1-B03-Q15 = 2 Ratio process value (RPV) and setpoint (SR)

L1-B03-Q03 = 0 Control deviation in %

or

L1-B03-Q15 = 1 Flow A and flow B \times SR (ratio setpoint)

L1-B03-Q03 = 1 Control deviation, indicated in the same EU as flow 1, e.g. in m^3/h

Annotation:

Digitric 100 itself has no analog indicator. However, this settings will be important for external indication of 0/4...20mA signals that are output to an analog output.

Configuration of flow A:

L1-B03-Q04	Dimension e.g. m^3/h
L1-B03-Q06	Decimal point, depending on the application
L1-B03-P07	Lower range value (usually 0)
L1-B03-P08	Upper range value

Configuration of the ratio:

L1-B03-Q09	Digital indicator RPV (ratio value) and SR (set ratio) or PV (flow A) and SR (set ratio) \times flow B
L1-B03-Q10	Dimension for R, e.g. without or %
L1-B03-Q12	Digits to the right of the decimal point for the R display
L1-B03-P14	Flow A (20 mA) / flow B (20 mA) Numerical value of the quotient of the scaled input signals with equal measuring values in mA, e.g. end value.
L1-B03-Q15	Analog indicator RPV (ratio process value) and SR (set ratio) or PV (flow A) and SR \times flow B
L1-B03-P16	Analog indicator, start of wanted display range
L1-B03-P17	End of wanted display range
L1-B03-Q18	Output of the display defined through L1-B03-Q15 to P17 via analog output

Configuration of ratio 2: $A/(A+B)$

Mixture control for portion of the final product $\text{RPV} = \text{flow A} / (\text{flow A} + \text{flow B})$

RPV as an actual value or SR (setpoint) can only assume a value between 0 and 1. Therefore, the scaling is set to 0...100% or even smaller.

The configuration is the same as for ratio 1, but with the following exceptions:

L1-B03-Q10 = 2	usually %
L1-B03-P14 =	$[\text{flow A (20 mA)}] / [\text{flow A (20mA)} + \text{flow B (20 mA)}]$ Numerical value of the quotient of the scaled input signals with equal measuring values in mA, e.g. end value.
L1-B03-Q15	Analog indicator RPV (ratio process) and SR (Set ratio) or PV (flow A) and $(\text{SR} \times \text{flow B}) / (1 - \text{SR})$

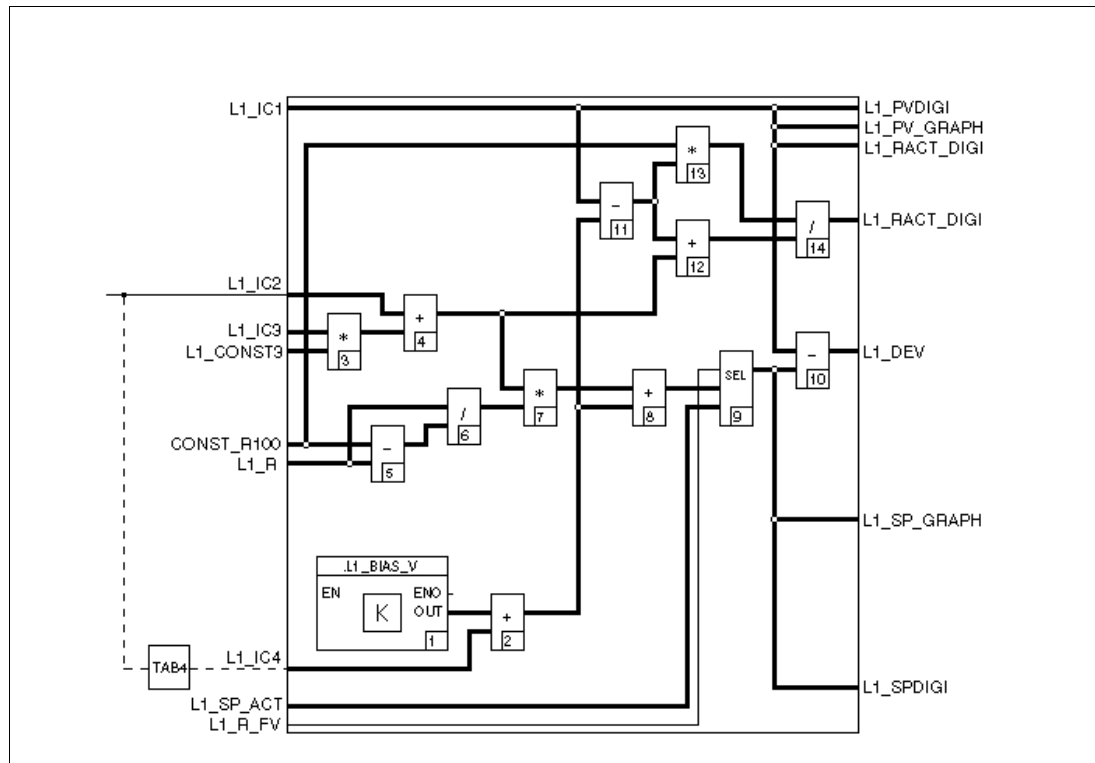


Fig.13-16 Input circuit for fixed value /ratio control 2 (Z-19126)

.L1_ICx Inputs of ratio input circuit are routed to the analog inputs via L1-B04

.L1_R R-sepoint CONST_R100 100

.L_SP_ACT Current fixed value setpoint.L1_PVDIGI Digital indicator for PV

.L_SPDIGI Digital indicator for SP.L1_RACTDIGI Digital indicator for Ractual

.L1_PV_GRAPH Analog indicator for PV.L1_SP_GRAPH Analog indicator for SP

.L1_RV_FV Switching between fixed value and ratio

13.9 Multiplication

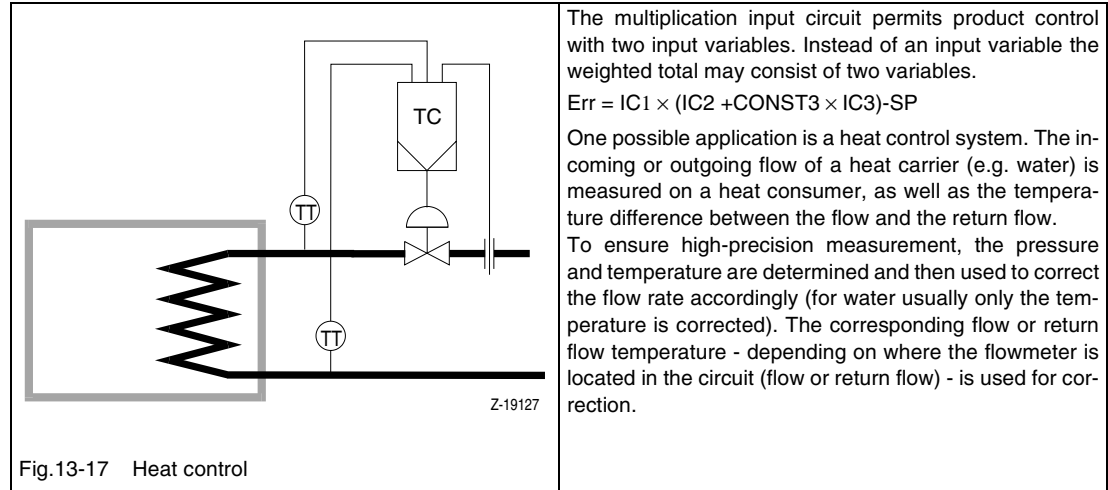


Fig.13-17 Heat control

The multiplication input circuit permits product control with two input variables. Instead of an input variable the weighted total may consist of two variables.

$$\text{Err} = \text{IC1} \times (\text{IC2} + \text{CONST3} \times \text{IC3}) - \text{SP}$$

One possible application is a heat control system. The incoming or outgoing flow of a heat carrier (e.g. water) is measured on a heat consumer, as well as the temperature difference between the flow and the return flow.

To ensure high-precision measurement, the pressure and temperature are determined and then used to correct the flow rate accordingly (for water usually only the return temperature is corrected). The corresponding flow or return flow temperature - depending on where the flowmeter is located in the circuit (flow or return flow) - is used for correction.

Configuration

The three inputs are to be scaled with their dimensions.

Input linkages:

L1-B03-Q01 = 3 Multiplication

Routing of state correction:

SC1-B02-Q01 = Flow signal depending on the used input

SC1-B02-Q02 = 0 No pressure correction

SC1-B02-Q03 = Flow temperature, depending on the used input

SC1-B02-Q04 = 0 No density correction

Routing of input linkages:

L1-B04-Q01 = 91 Corrected flow signal from state correction 1

L1-B04-Q02 = Flow temperature, depending on the used input

L1-B04-Q03 = Return flow temperature, depending on the used input

Parameter: Setting L1-P103 = -1 will change the addition into the required subtraction.

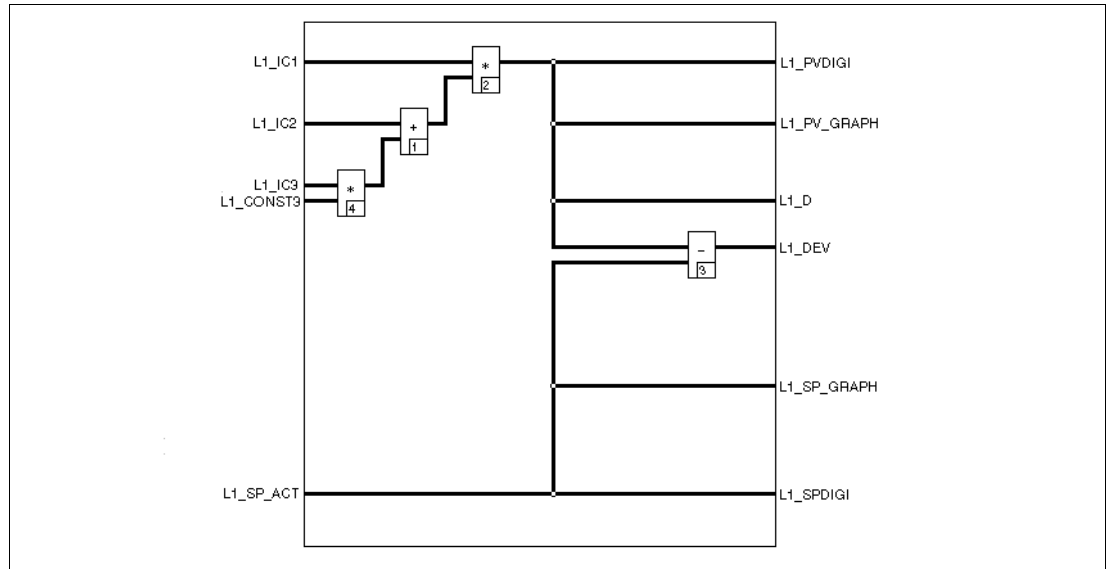


Fig.13-18 Multiplication input circuit

Z-19096

- .L1_ICx Inputs of the input circuit
Ratio routed to analog inputs via L1-B04
- .L1_CONST3 Weighting factor for IC3
- .L1_SP_ACT Current setpoint

- .L1_PVDIGI Digital indicator for PV
- .L1_SPDIGI Digital indicator for SP
- .L1_PV_GRAPH Analog indicator for PV
- .L1_SP_GRAPH Analog indicator for SP
- .L1_D To derivative action
- .L1_DEV Control deviation

13.10 Parameter changeover/control (Gain scheduling)

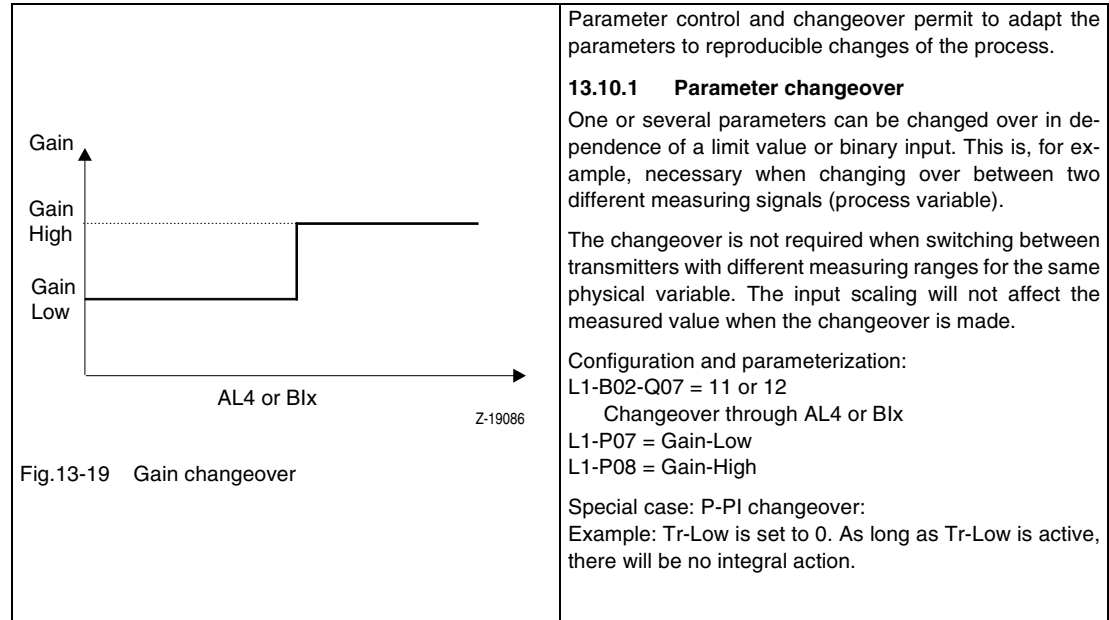


Fig.13-19 Gain changeover

Parameter control and changeover permit to adapt the parameters to reproducible changes of the process.

13.10.1 Parameter changeover

One or several parameters can be changed over in dependence of a limit value or binary input. This is, for example, necessary when changing over between two different measuring signals (process variable).

The changeover is not required when switching between transmitters with different measuring ranges for the same physical variable. The input scaling will not affect the measured value when the changeover is made.

Configuration and parameterization:

L1-B02-Q07 = 11 or 12

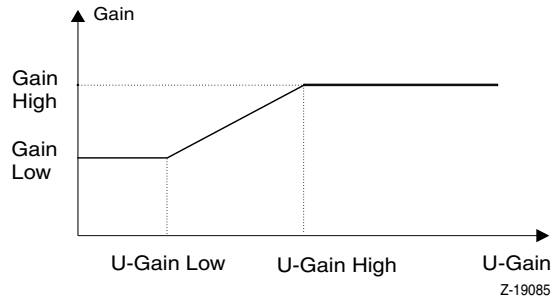
Changeover through AL4 or Blx

L1-P07 = Gain-Low

L1-P08 = Gain-High

Special case: P-PI changeover:

Example: Tr-Low is set to 0. As long as Tr-Low is active, there will be no integral action.



$$\text{Gain} = \frac{(G-Hi)(U_{G-Hi} - U_{G-Lo}) + (G-Lo)(U_{G-Hi} - U_{G-Lo})}{U_{G-Hi} - U_{G-Lo}}$$

Fig.13-20 Linear parameter control,
U is the controlling variable

13.10.2 Parameter control

Linear

The active parameter is changed linearly between a start value and an end value in dependence of a freely selectable analog variable (setpoint, measured value, output variable, etc.).

Configuration and parameterization:

L1-B02-Q07 = 1 to 5 or 13

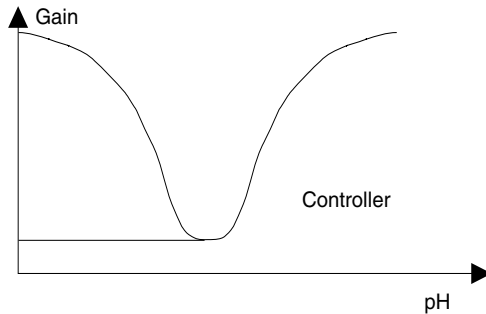
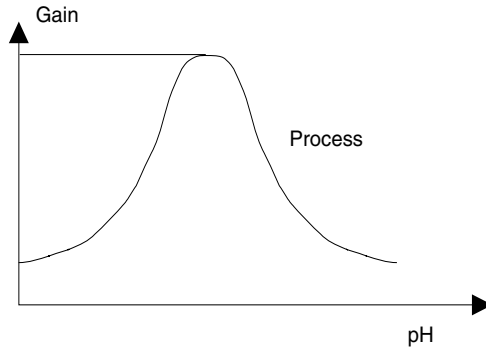
Gain control through selected variable
e.g. setpoint (L1-B02-Q07 = 2)

L1-P06 = Gain-Low

L1-P07 = Gain-High

L1-P08 = U-Gain Low

L1-P09 = U-Gain High



Z--19099

Fig.13-21 Non-linear parameter control through measured value pH

Non-linear

With pH-value control the gain considerably varies with the pH value. The greatest gain is reached with pH 7, the lowest gain values are reached with pH0 and pH14. Therefore, reciprocal gain is provided in the controllers.

Configuration:

L1-B02-Q07 = 7

Parameter control
through process variable PV
via table 1

Table 1 is parameterized with the control loop gain (derived from the volumetric analysis curve).

13.11 State correction

The measuring instruments for gas or steam flow measurement are designed for special pressure and temperature values. If the actual values differ from the design values, considerable measuring errors may occur. Therefore, correction circuits are provided for correcting these errors. They are suitable for correcting both ideal and real gases.

The state correction calculates from the current measuring values the standardized flow (at 0 °C and 1.013 bar). The state correction can be used together with all input linkages.

Usually, additional analog inputs are required for state correction, and state correction is only possible when the function has been integrated in the configuration (e.g. with L1-B04-Q01 = 91 (flow control with state correction)).

13.11.1 Input and output routing

The state correction inputs can be routed in dependence of the analog input module slots. **Note that the inputs must be scaled.** It is negligible whether a temperature value is connected directly or via a transmitter.

13.11.2 Terms and abbreviations

Index "r" stands for "calculated values" (values for orifice design)

Qv	Operating volume flow in m ³ /h
Qn	Volume flow in the normal state in m ³ /h
Qm	Mass flow in the normal state in t/h
P	in bar absolute or overpressure (depending on transmitter type)
Pr	Absolute pressure
T	Temperature in °C
Pn	Standard pressure 1.0135 bar
Tn	Standard temperature 273.15 K = 0 °C
RHO	Density in kg/m ³
RHO-MIN	Correction range for RHO
RHO-MAX	Correction range for RHO
Patm	Atmospheric pressure in bar abs(olute)
Pr	in bar abs(olute)
Zn	Real gas factor with Pn and Tn (compressibility)

Pmin/Pmax Correction range for P same as for transmitter

Tmin/Tmax Correction für T

P20...28 Real gas factors (factory setting 1.00) (compressibility)

	Tmin	Tmean	Tmax
Pabsmin	P20	P23	P26
Pabsmean	P21	P24	P27
Pabsmax	P22	P25	P28

Table 13-2

HAB Spacing of connection piece in mm gives water level in mm

Tvgl Temperature of reference column in °C.

13.11.3 Configuration for gas and steam

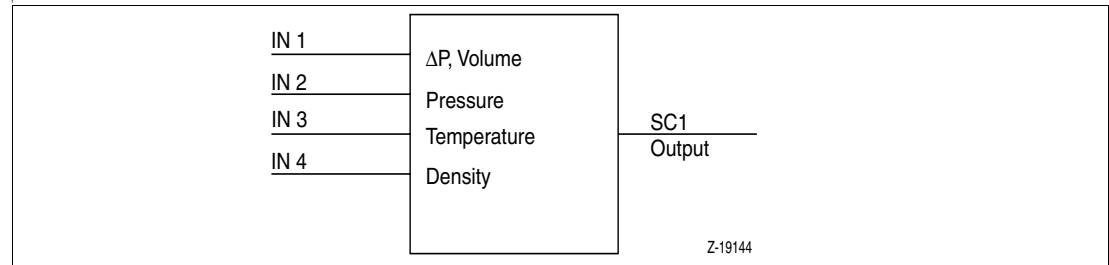


Fig.13-22 State correction for gas and steam

See Table 13-3 to Table 13-5 for details about the parameter and configuration data.

13.11.4 Configuration for water mass flow

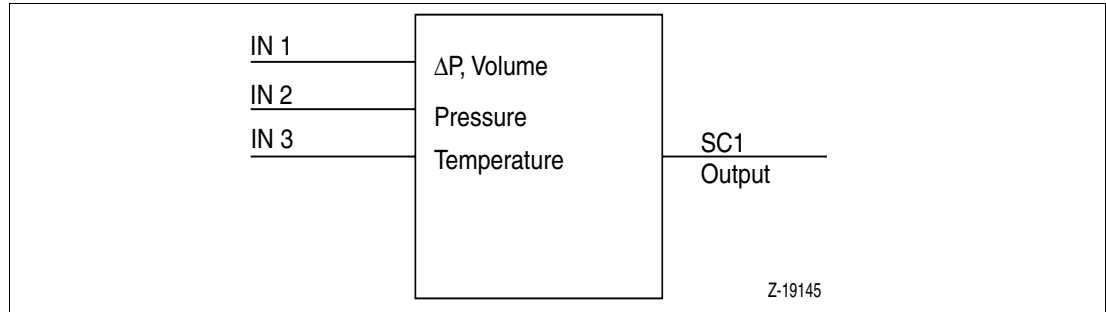


Fig.13-23 State correction for gas, steam and drum water level
See Table 13-6 to Table 13-8 for details about the parameter and configuration data.

13.11.5 Configuration for drum water level

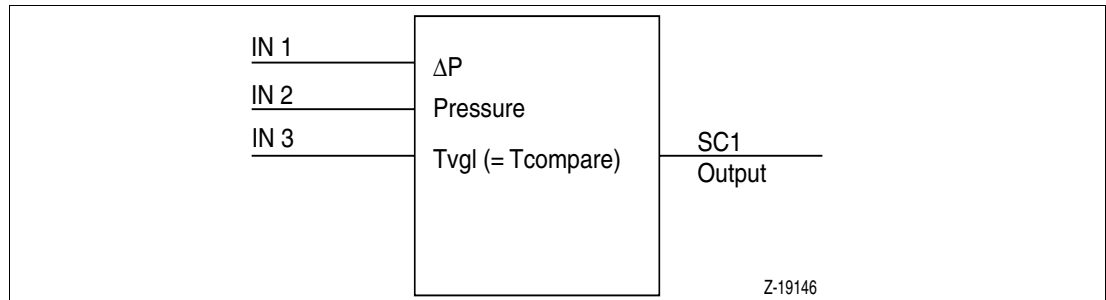


Fig.13-24 Water level
See Table 13-7 and Table 13-8 for details about the parameter and configuration data.

13.11.6 Gas and steam

	Question/ parameter	Gas, differential pressure measurement		Gas, volume measure- ment	Steam, mass flow, differential pressure		Saturated steam, mass flow, differential pressure pressure correction		Saturated steam, mass flow, differential pressure temp. correction		Unit
		SC1-B01	linear		square- rooted	linear	square- rooted	linear	square- rooted	linear	
	Q01	1	1	2	3	3	4	4	5	5	–
Square rooting	Q29	0	1		0	1	0	1	0	1	–
Standard flow Qn,r or	P02	Value	Value	Value							Nm ³ /h
Mass flow Qm, r	P02	Value	Value	Value	Value	Value	Value	Value	Value	Value	kg/h
Differential pressure ΔP,r	P03	Value			Value		Value		Value		mbar
Atmospheric pressure Patm,r,abs	P04	Value	Value	Value	Value	Value	Value	Value			bar abs
Pressure P,r,abs	P05	Value	Value	Value	Value	Value	Value	Value			bar abs
Temperature T,r	P06	Value	Value	Value	Value	Value			Value	Value	°C
Real gas factor Z(Pr,Tr),r	P07	Value	Value	Value							–
Standard density ρn, r	P08	Value	Value	Value							kg/m ³

Table 13-3 Design values of the measuring equipment (calculated values)
 linear No square-rooting of the transmitter or analog input
 square rooted Square rooting of the transmitter or analog input
 grayed No entry required, all entries will be ignored

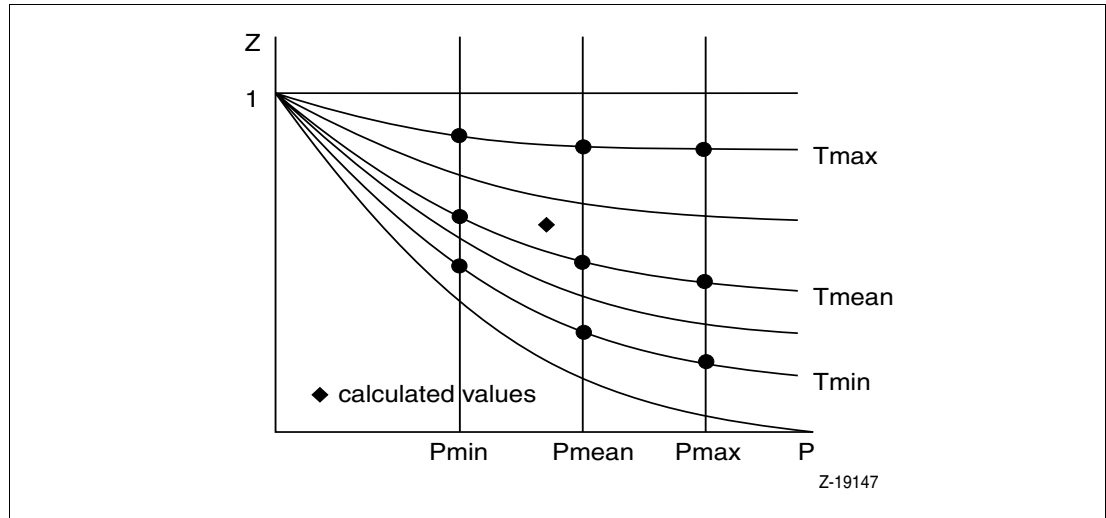


Fig.13-25 Basic characteristic curve for $Z = f(P, T)$

	Tmin	Tmean	Tmax
Pabs,min	Value (P20)	Value (P23)	Value (P26)
Pabs,mean	Value (P21)	Value (P24)	Value (P27)
Pabs,max	Value (P22)	Value (P25)	Value (P28)

Table 13-4 Real gas factors (factory setting 1.00 for ideal gases).
For orifice calculation the real gas factors have to be determined and provided for commissioning.

	Question/ parameter	Gas, differential pressure measurement		Gas, volume measure- ment	Steam, mass flow, differential pressure		Saturated steam, mass flow, differential pressure, pressure correction		Saturated steam, mass flow, differential pressure, temp. correction		Unit
		SC1-B01	linear		square- rooted	linear	square- rooted	linear	square- rooted	linear	
	Q01	1	1	2	3	3	4	4	5	5	–
Pressure transmitter											
Overpressure	Q18	1	1	1	1	1	1	1	1	1	–
Absolute pressure	Q18	2	2	2	2	2	2	2	2	2	–
Correction limits:											
Min. pressure	P10	Value	Value	Value	Value	Value	Value	Value			bar
Max. pressure	P11	Value	Value	Value	Value	Value	Value	Value			bar
Min. temperature	P12	Value	Value	Value	Value	Value			Value	Value	°C
Max. temperature	P13	Value	Value	Value	Value	Value			Value	Value	°C
Min. density	P14	Value	Value	Value							kg/m ³
Max. density	P15	Value	Value	Value							kg/m ³

Table 13-5 Measuring values and correction ranges

The limits for pressure correction must be entered in accordance with the pressure transmitter:

- Overpressure transmitters require pressure limits in overpressure.
- Absolute pressure transmitters require pressure limits in absolute pressure.

If one or several measuring signals are missing, the correction limits must be identical with the calculated values. If the pressure measurement signal is missing, it must be specified in Q18 whether the limits are absolute pressure or overpressure limits.

13.11.7 Water mass flow

	Question/ parameter	Water, differential pressure measurement		Water, volume measurement	Unit
		linear	square-rooted		
	SC1-B01				
	Q01	6	6	7	–
Square rooting	Q29	0	1		–
Mass flow Q_m, r	P02	Value	Value	Value	kg/h
Differential pressure $\Delta P, r$	P03	Value			mbar
Atmospheric pressure $P_{atm, r, abs}$	P04	Value	Value	Value	bar abs
Pressure P, r, abs	P05	Value	Value	Value	bar abs
Temperature T, r	P06	Value	Value	Value	°C
Real gas factor $Z(P_r, T_r), r$	P07	Value	Value	Value	kg/m ³
Standard density ρ_n, r	P08	Value	Value	Value	kg/m ³
Pressure transmitter					
Overpressure	Q18	1	1	1	–
Absolute pressure	Q18	2	2	2	–
Correction limits:					
Min. pressure	P10	Value	Value	Value	bar
Max. pressure	P11	Value	Value	Value	bar
Min. temperature	P12	Value	Value	Value	°C
Max. temperature	P13	Value	Value	Value	°C
Min. density	P14	Value	Value	Value	kg/m ³
Max. density	P15	Value	Value	Value	kg/m ³

Table 13-6 Design values of the measuring equipment (calculated values)

Note

The limits for pressure correction must be entered in accordance with the pressure transmitter:

- Overpressure transmitters require pressure limits in overpressure.
- Absolute pressure transmitters require pressure limits in absolute pressure.

If one or several measuring signals are missing, the correction limits must be identical with the calculated values. If the pressure measurement signal is missing, it must be specified in Q18 whether the limits are absolute pressure or overpressure limits.

13.11.8 Drum water level

	Question	Level measurement	Unit
	Q01 =	8	
Spacing of connection piece HAB	P16 =	Value	mm
Tverg	P17 =	Value	°C
Tmin	P12 =	Value	°C
Tmax	P13 =	Value	°C

Table 13-7 Design values of the measuring equipment (calculated values)

With missing temperature measurement Tmin = Tmax must be set to the reference column temperature.

	Question	Level measurement	Unit
Differential pressure, end value ΔP	Q01 =	Value	mbar
Min. pressure correction, limit Pmin	Q10 =	Value	bar
Max. pressure correction, limit Pmax	Q11 =	Value	bar
Output range, start value	Q30 =	Value	mm
Output range, end value	Q31 =	Value	mm

Table 13-8 Measuring values and correction ranges

13.11.9 Configuring an analog output for outputting state correction results

With the configuration seen in Fig.13-26 the state correction directly provides the calculated results to the input circuit as measuring values.

If an additional analog current/voltage output with the state correction results is required, this can be defined by using the following parameters:

SC1-B01-P30	Lower range value = measuring value for 0% = 0/4 mA or 0/2 V
SC1-B01-P31	Upper range value= measuring value for 100% = 20 mA or 10 V

The values for P30 and P31 may be within or outside the expected calculating results.

SC1-B01-Q32 and SC1-B01-P33 can be set, but are not mandatory and have no effect on the device itself. However, they will simplify possible later verifications of the configuration.

With SC1-B03-Q01 an unused analog output is configured for outputting the correction results.

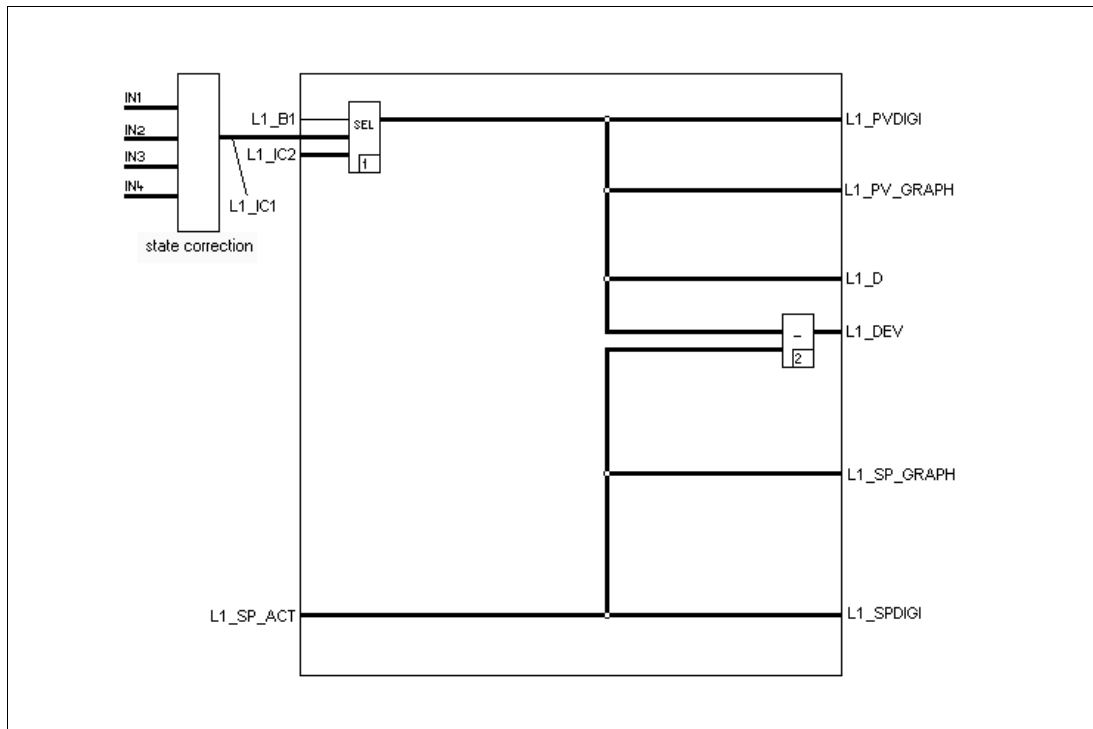


Fig.13-26 Input circuit for fixed value with additional state correction (Z-19072)

Input routing of the state correction SC1-B02-Qx

.L1_B1 Changeover IC1 ↔ IC2 with switch BI01

.L1_ICx Inputs of fixed value input circuit routed via state correction

.L1_SP_ACT Current setpoint.L1_PVDIGIDigital indicator for PV

.L1_SPDIGI Digital indicator for SP.L1_PV_GRAPHAnalog indicator for PV

.L1_SP_GRAPHAnalog indicator for SP.L1_Dto derivative action

.L1_DEVControl deviation

13.12 Control outputs

The following control outputs can be configured:

Two-point controller

- with transistor output or
 - with relay output
- (high-low-off control e.g. $\Delta - Y - \text{Off} = \text{On/Off}$ controller with series contact)

Three-point controller (heating- off-cooling)

- with transistor output or
 - with relay output
- optionally 1 output also continuous (parameters L1-P25 to P27 active)

Step controller and positioner

- with transistor output or
- with relay output

Continuous controller

optionally with split-range (parameters L1-P25 to P27 are active)

In the following examples the binary outputs BO01 and BO02 are used. Of course using other BOxy is also possible.

13.12.1 Two-point controller

Single-loop controller with transistor output in the basic device

Binary definition:

BIO-B01-Q01 = 3	BIO01 is an output with NO contact operation = BO01
L1-B01-Q02 = 3	Two-point controller
L1-B10-Q04 = 1	Control output OUT1 to BO01

Two-point controller for high-low-off

Binary definition:

BIO-B01-Q01 = 3	BIO01 is an output with NO contact operation = BO01
BIO-B02-Q01 = 2	BIO02 is an output with NC contact operation = BO02
L1-B01-Q02 = 3	On/Off controller with series contact
L1-B08-Q03 = 4	Alarm value 3 as Errmax series contact
L1-P93 = -3 bis -5 %	Exact value to be set in the commissioning phase
L1-B10-Q04 = 1	Control output to BO01
L1-B11-Q03 = 2	Alarm value 3 on BO02 switches from "low" to "high"

Note

If the controller is set to manual mode, the changeover to "high" is still valid.

Single-loop controller with relay output

For controllers with relay output the available outputs have to be configured accordingly.

13.12.2 Three-point controller

(Heating - off - cooling)

Single-loop controller with transistor output in the basic unit

BIO-B01-Q01 = 3	BIO01 is an output with NO contact operation = BO01
BIO-B02-Q01 = 3	BIO02 is an output with NO contact operation = BO02
L1-B01-Q02 = 5	Three-point controller
L1-B10-Q04 = 1	1st control output (heating) OUT1 to BO01
L1-B10-Q05 = 2	2nd control output (cooling) OUT2 to BO02

Three-point controller (heating - off - cooling) with continuous control output for heating

Binary definition

BIO-B01-Q01 = 3	BIO01 is an output with NO contact operation = BO01
L1-B01-Q01 = 6	
L1-B10-Q05 = 1	Switching control output (cooling) OUT2 to BO01
L1-B10-Q01 = 1	Continuous output (heating) OUT1 to AO01

Single-loop controller with relay output

For controllers with relay output the available outputs have to be configured accordingly.

13.12.3 Motorized valve control (Step controller)

When using the basic unit with optional AI02, the second measuring input can be used for position feedback or another function.

L1-B01-Q04 = 2 Position feedback to AI02

AI-B02-Q01 = 7 AI02 = 0...150 Ω
See "Service" section for information about adjusting 0 and 100 %.

Outputs:

BIO-B01-Q01 = 3 Binary BIO01 is an output with NO contact operation = BO01
BIO-B02-Q01 = 3 Binary BIO02 is an output with NO contact operation = BO02
L1-B10-Q04 = 1 Control output "more" OUT1 to BO01
L1-B10-Q05 = 2 Control output "less" OUT2 to BO02

13.12.4 Positioner

A positioner is a step controller that moves an electrical actuator to a - usually externally given - position. A positioner needs a position feedback signal as measured value.

L1-B01-Q01 = 11 Positioner
L1-B03-Q01 = 1 Fixed value input circuit
L1-B04-Q01 = 1 Position feedback to AI01
L1-B05-Q06 = 2 External setpoint to AI02
Control output same as for step controller

13.12.5 Controller with relay output

It is also possible to use the relay outputs (BO03, BO04, BO05) instead of the transistor outputs BO01 and BO02.

13.12.6 Continuous controller

Continuous controllers have a 0/4...20 mA control output.

One control output (factory setting):

L1-B01-Q02 = 1

AO-B01-Q01 = 1 or 2 depending on signal range

L1-B10-Q01 = 1 1st control output OUT1 to AO01

Two control outputs (split range)

Output module in slot 1 (only one exists in the basic unit).

L1-B01-Q01 = 7

L1-B10-Q02 = 11 2nd control output to 1st output of output module in slot1

AO-B31-Q01 = 1 or 2 depending on the signal range

14 Service

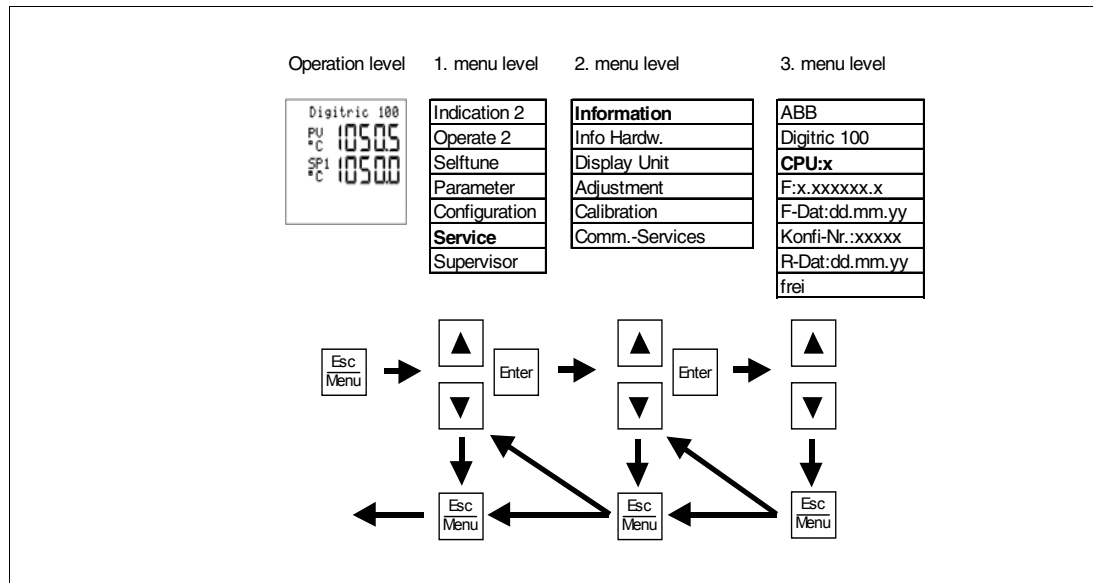


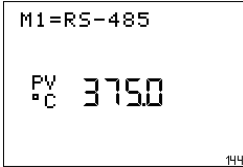
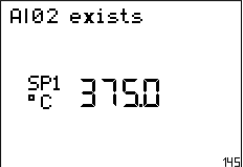
Fig.14-1 Service menu

14.1 Information (general)

This menu shows the information saved in the device by the manufacturer during the production or later during repair. The information cannot be edited by the customer.

Item	Description	Display
1	Manufacturer	ABB
2	Device type	Digitric 100
3	Board index	CPU: ...
4	Manufacturing number	F: ...
5	Manufacturing date	F-Dat: ...
6	Configuration number	Konfi-Nr.: ...
7	Repair date	Rep.-Dat: ...
8	Free text	...

14.2 Hardware information

 <p>Fig.14-2 (z-20264)</p>	<p>This window indicates the hardware configuration of the device, i.e. the module type plugged in and whether or not the optional universal input AI01 exists.</p> <p>The module is not automatically available in the configuration.</p> <p>It must be registered with I-B11-Q01 = 1.</p>
 <p>Fig.14-3 (z-20265)</p>	

14.3 Display unit

14.3.1 Contrast of the LCD

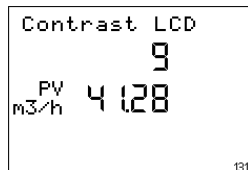


Fig.14-4
(Z-19131)

Contrast of the LCD

1. Select the desired contrast:
(9 steps, step 1 = smallest contrast):
<▼> <▲>
2. Accept selected changes:
<Enter>

14.4 Adjustment

This menu is used to adjust the controller for measurement with 2-wire Pt 100 resistance thermometer and teletransmitters.

See the menu tables in Section 17 for instructions.

14.4.1 Example: Adjusting the Pt100, 2-wire, for AI01

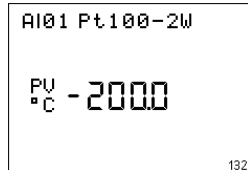


Fig.14-5 Adjustment for AI01 selected
Z-19132

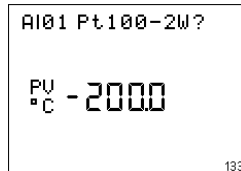


Fig.14-6 Do you want to start adjustment?
Z-19133



Warning

Do not adjust with open input!

Adjustment is selected separately for the individual inputs of the basic unit and the modules.

Submenu item AIxy Pt100-2W can be selected only if Pt 100 2-wire-measurement has been configured for the respective input before.

Procedure

0. Shorten the cable between the sensor and the controller

on the sensor side.

The controller indicates the set default value in the bottom line.

1. Call 1st adjustment on the controller:

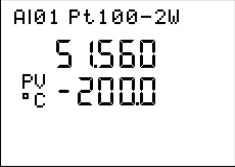
<Enter>

"?" in the first line is added.

Enter ⚙

2. Start adjustment:

<Enter>

 <p>Fig.14-7 Z-19134</p>	<p>Upon completion of the adjustment the message „Alxy adjusted“ appears in the text line for 3 seconds, and an adjustment value is written in the first line of the display and then saved.</p> <p>Enter ●</p> <p>This completes adjustment.</p> <p>3. Exit adjustment menu: <Esc></p> <p>4. Undo the short circuit on the sensor!</p>
---	--

14.4.2 Example: Adjusting a teletransmitter, 1500 ohms, on AI01

The menu items for teletransmitter adjustment can be selected only if the respective input has been configured for “teletransmitter“ or for “0/4... 20 mA“. The adjustment procedure is the same in both cases. The adjustment is always required when the teletransmitter or a measuring signal (e.g. position feedback) cannot be used fully as a valid measuring value.

Application

Position feedback with potentiometer via teletransmitter input (AI01 or Pt100 module for 3-wire/4-wire circuitry or via current input AI02, 0...20 mA).

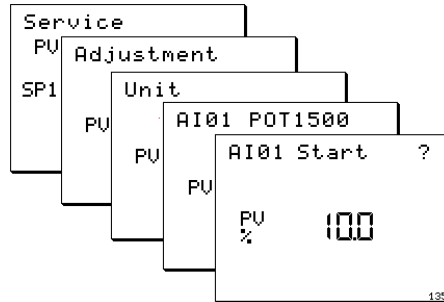


Fig.14-8
Z-19135

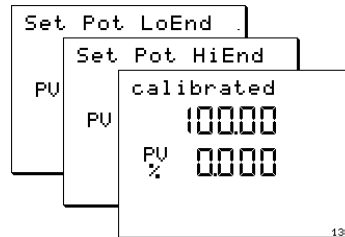


Fig.14-9
Z-19136

Zero adjustment

1. Select the adjustment function from the Service menu by actuating <Enter> several times.

The message „AI01 Start“ prompts you to set the teletransmitter mechanically to its initial position.

2. Set the teletransmitter mechanically to its initial position.
3. Confirm the message “AI01 Start“ with <Enter> . Adjustment is carried out, and the message “AI01 End“ appears.

End value adjustment

4. Set the teletransmitter mechanically to its end position.
5. Confirm the message “AI01 End“ with <Enter>.

The message “AI01 calibrated!“ indicates that you are returned to the next higher operating level.

Press <Esc> to return to the main operating level.

14.5 Calibration

Refer to the tables in Section 17 for the complete calibration routines.

Note

The inputs and outputs are calibrated in factory. Recalibrating is only required in some exceptional cases.

The calibration routine is used to calibrate the two inputs of the basic unit. External transmitters with the appropriate accuracy are required for this.

When calling up the calibration routine, you can select input AI01 or AI02 of the basic unit for calibration for the configured type of measurement.

The exact measuring values in the specified ranges must be applied to the terminals. Press <▼> and <▲> to set the display to the applied value and then confirm with <Enter>.

Example: Calibrating mA-input AI01

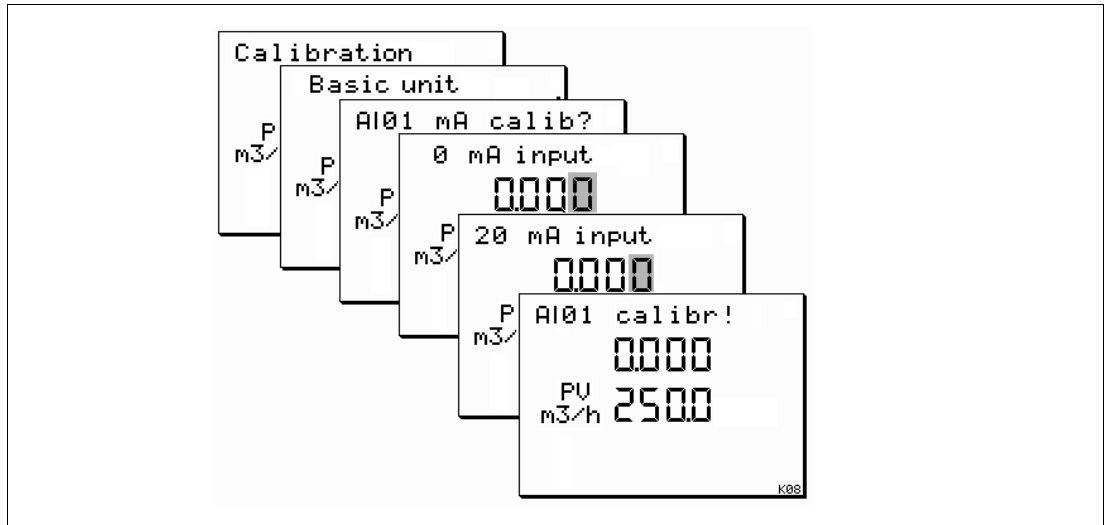


Fig.14-10 Calibrating mA-input AI01
Z-19075

15 Supervisor

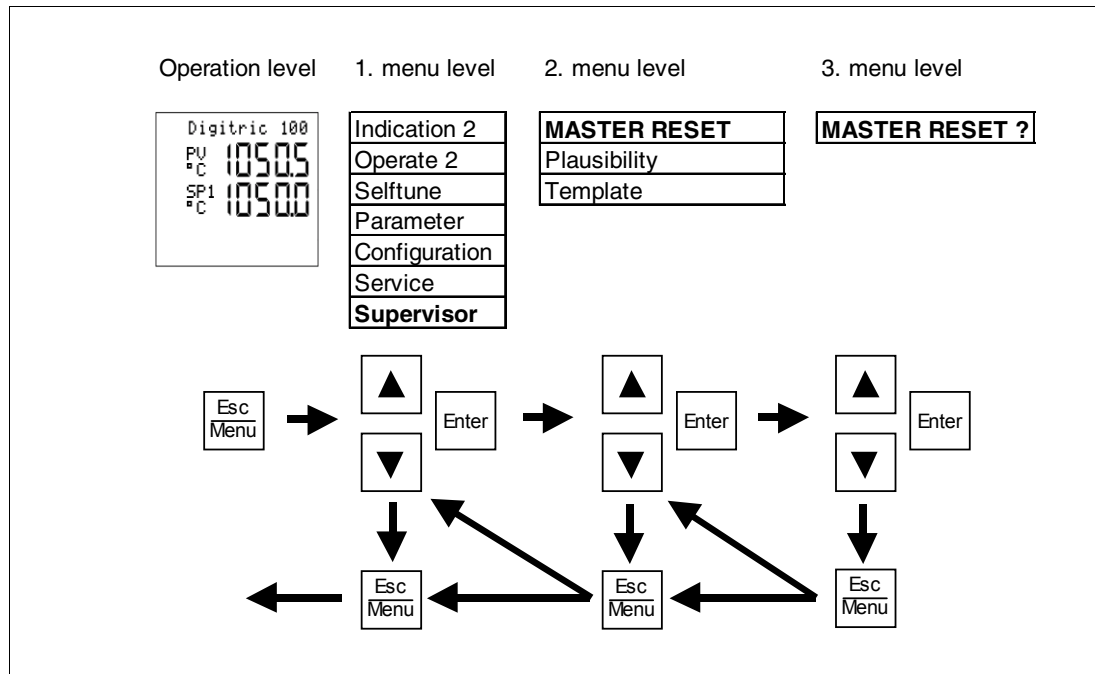


Fig.15-1

15.1 Plausibility

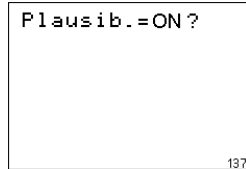


Fig.15-2 Activating the plausibility check
Z-19137

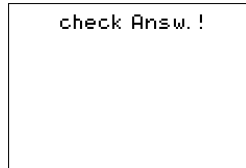


Fig.15-3 Message upon exit from the configuration
mode
Z-19138

The plausibility check function is used to check the entries made in the configuration mode for correctness and completeness.

After selecting the plausibility function, the system prompts you to activate or deactivate the plausibility check.

1. Toggle between questions:
<▼>, <▲>

Enter

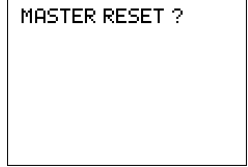
2. Confirm question:
Enter ✨

The question mark will disappear.

Enter ●

With active plausibility function the message seen in Fig.15-3 appears when you exit the configuration mode.

15.2 Master reset



MASTER RESET ?

Fig.15-4 Configuration and master reset
Z-19139

With the master reset function you can reset the entire configuration to the factory setting.

Caution

The master reset function will overwrite all user-set configuration data with the factory setting. Only the language setting will remain as is.

1. Select the master reset menu

Upon selection of the menu item you will be asked whether or not the factory setting is to be restored (Fig.15-4).

Enter ✱

Either

2. Confirm question:
<Enter>

“?” will be replaced with “!”. The factory setting will be restored, messages on the screen indicate the progress of the procedure. You will be returned to the operation level automatically.

Enter ●

or

3. Cancel:
<Esc>

15.3 Template (Quick configuration)

The "Template" menu is used for quick configuration of the controller. This function helps you to realize pre-defined settings quickly. See the "Quick configuration" section of this manual for details.

Similar to the master reset function the template function sets the controller to a pre-defined configuration without the necessity to use the configuration menu.

Note that with this function all user-defined parameters and configuration data will be overwritten and, thus, lost!

A 5-digit character string and some additional answers can be entered in the template menu.

Example: **100A0**

This means the template menu allows for a quick configuration of the controller. The configuration data loaded with this function can be further modified in the configuration menu if required.

Parameters can be set as usual in the "Parameter" menu.

Refer to Section 16 for details about the template.

16 Quick configuration in the Template menu

Prior to executing the template first make sure that the controller is set to English user language. Otherwise, set it to English (see Section 16.1 for details) or use the German or French operating instructions instead. Since the controller is usually set to the German language ex factory, you might set it to English language.

The template available under the Supervisor/Template menu item is used for quickly configuring the Digitric 100 controller. See Fig. 16-1 for details about how to select the template. Section 16.2 describes how to navigate through the template. Possible entries are described in Section 16.3.

A 5-digit template variant is the core of the template.

The first digit defines the base variant of the controller configuration. See Section 16.4 for an overview of the possible variants.

The second digit is the sub variant for the controller configuration. See Section 16.5 for an overview of the possible variants.

The third digit is the alarm variant of the controller configuration. See Section 16.6 for an overview of the possible variants.

The fourth digit defines the type of universal controller input AI01.

The fifth digit defines the type of optional universal controller input AI02.

See Section 16.7 for an overview of the possible variants.

Upon execution of the template the controller is booted with the new configuration.

Warning

The previous configuration and parameter settings will be overwritten and cannot be restored.

The configuration can be further optimized in the Configuration menu, if required. It is, for example, possible to change the valve action from "Reverse" (default setting in the template) to "Direct".

The parameter settings can be further optimized in the Parameters menu.

2-wire Pt 100 resistance thermometers and resistance teletransmitters (potentiometers) usually require further adjustment under "Service/Adjustment".

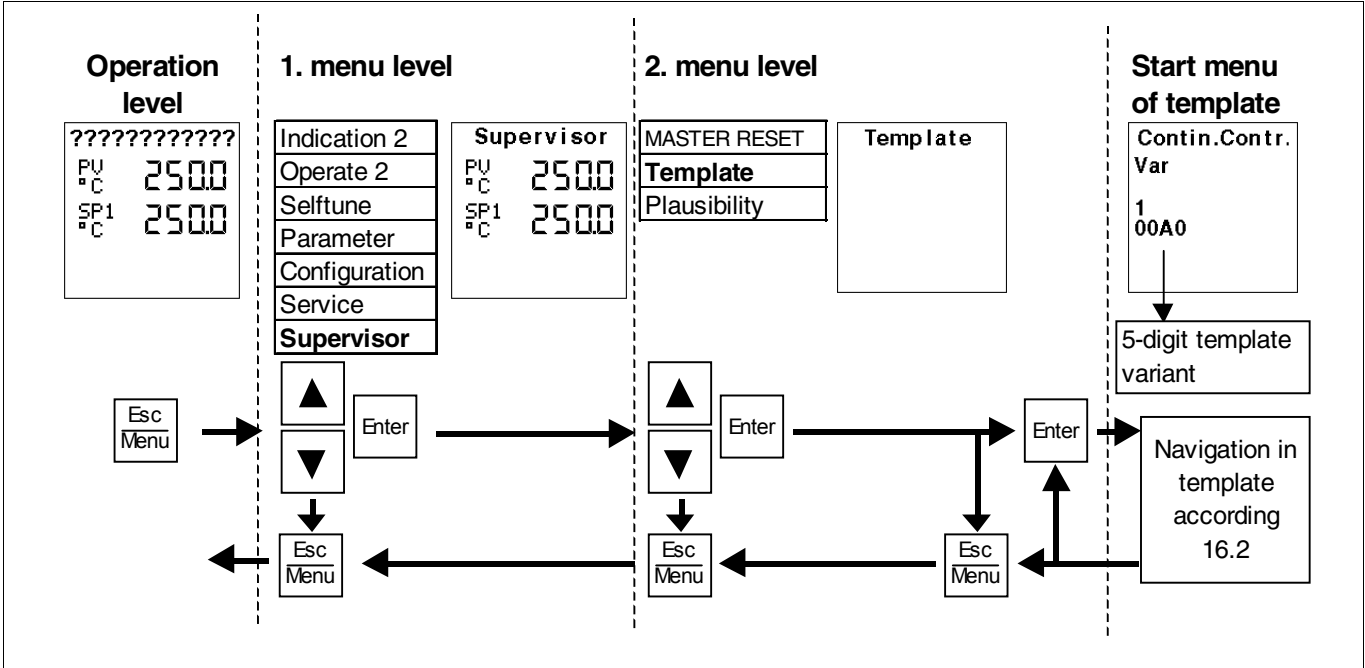
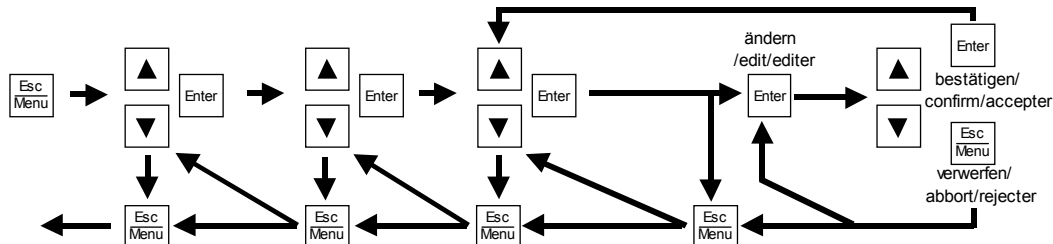


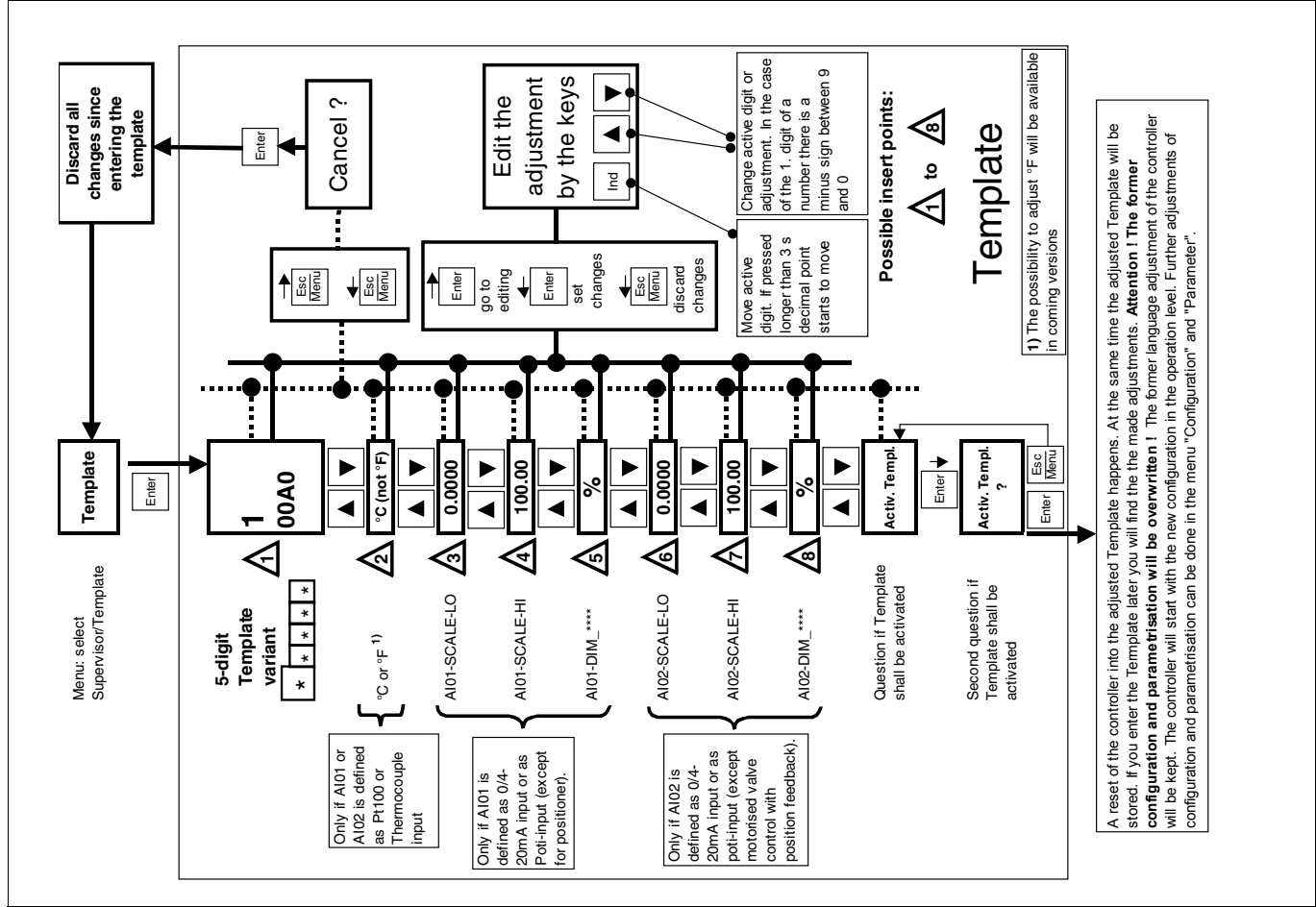
Fig. 16-1 Controller menu

16.1 Setting the controller to the desired language









Bedienebene operation mode Mode d'operation	1. Menüebene 1. menu level 1.niveau du menu	2. Menüebene 2. menu level 2.niveau du menu	3. Menüebene 3. menu level 3.niveau du menu	4. Menüebene 4. menu level 4.niveau du menu	Editieren editing Edition																								
	<table border="1"> <tr><td>Anzeige 2</td></tr> <tr><td>Bedienen 2</td></tr> <tr><td>Selbstparam.</td></tr> <tr><td>Parameter</td></tr> <tr><td>Konfi</td></tr> <tr><td>Service</td></tr> <tr><td>Supervisor</td></tr> </table>	Anzeige 2	Bedienen 2	Selbstparam.	Parameter	Konfi	Service	Supervisor	<table border="1"> <tr><td>GERÄT</td></tr> <tr><td>AE-DEFINITION</td></tr> <tr><td>AA-DEFINITION</td></tr> <tr><td>BEA-DEFINIT.</td></tr> <tr><td>LOOP1</td></tr> <tr><td>PROGRAMMGEBER</td></tr> </table>	GERÄT	AE-DEFINITION	AA-DEFINITION	BEA-DEFINIT.	LOOP1	PROGRAMMGEBER	<table border="1"> <tr><td>B01 SPRACHE</td></tr> <tr><td>B02 BINÄREINGÄNGE</td></tr> <tr><td>B03 BINÄRFLAGS</td></tr> <tr><td>B04 FERNBEDIENUNG</td></tr> <tr><td>B05 BINÄRAUSGÄNGE</td></tr> <tr><td>B06 DISPLAY/FARBE</td></tr> <tr><td>...</td></tr> </table>	B01 SPRACHE	B02 BINÄREINGÄNGE	B03 BINÄRFLAGS	B04 FERNBEDIENUNG	B05 BINÄRAUSGÄNGE	B06 DISPLAY/FARBE	<table border="1"> <tr><td>F01 DEUTSCH</td></tr> </table>	F01 DEUTSCH	<table border="1"> <tr><td>1 DEUTSCH</td></tr> <tr><td>2 ENGLISH</td></tr> <tr><td>3 FRANCAIS</td></tr> </table>	1 DEUTSCH	2 ENGLISH	3 FRANCAIS
Anzeige 2																													
Bedienen 2																													
Selbstparam.																													
Parameter																													
Konfi																													
Service																													
Supervisor																													
GERÄT																													
AE-DEFINITION																													
AA-DEFINITION																													
BEA-DEFINIT.																													
LOOP1																													
PROGRAMMGEBER																													
B01 SPRACHE																													
B02 BINÄREINGÄNGE																													
B03 BINÄRFLAGS																													
B04 FERNBEDIENUNG																													
B05 BINÄRAUSGÄNGE																													
B06 DISPLAY/FARBE																													
...																													
F01 DEUTSCH																													
1 DEUTSCH																													
2 ENGLISH																													
3 FRANCAIS																													
	<table border="1"> <tr><td>Indication 2</td></tr> <tr><td>Operate 2</td></tr> <tr><td>Selftune</td></tr> <tr><td>Parameter</td></tr> <tr><td>Configuration</td></tr> <tr><td>Service</td></tr> <tr><td>Supervisor</td></tr> </table>	Indication 2	Operate 2	Selftune	Parameter	Configuration	Service	Supervisor	<table border="1"> <tr><td>INSTRUMENT</td></tr> <tr><td>AI-DEFINITION</td></tr> <tr><td>AO-DEFINITION</td></tr> <tr><td>BIO-DEFINIT.</td></tr> <tr><td>LOOP1</td></tr> <tr><td>PROGRAMMER</td></tr> </table>	INSTRUMENT	AI-DEFINITION	AO-DEFINITION	BIO-DEFINIT.	LOOP1	PROGRAMMER	<table border="1"> <tr><td>B01 LANGUAGE</td></tr> <tr><td>B02 BIN. INPUTS</td></tr> <tr><td>B03 BIN. FLAGS</td></tr> <tr><td>B04 REMOTE OPER.</td></tr> <tr><td>B05 BIN. OUTPUTS</td></tr> <tr><td>B06 LCD/COLOUR</td></tr> <tr><td>...</td></tr> </table>	B01 LANGUAGE	B02 BIN. INPUTS	B03 BIN. FLAGS	B04 REMOTE OPER.	B05 BIN. OUTPUTS	B06 LCD/COLOUR	<table border="1"> <tr><td>Q01 ENGLISH</td></tr> </table>	Q01 ENGLISH	<table border="1"> <tr><td>1 DEUTSCH</td></tr> <tr><td>2 ENGLISH</td></tr> <tr><td>3 FRANCAIS</td></tr> </table>	1 DEUTSCH	2 ENGLISH	3 FRANCAIS
Indication 2																													
Operate 2																													
Selftune																													
Parameter																													
Configuration																													
Service																													
Supervisor																													
INSTRUMENT																													
AI-DEFINITION																													
AO-DEFINITION																													
BIO-DEFINIT.																													
LOOP1																													
PROGRAMMER																													
B01 LANGUAGE																													
B02 BIN. INPUTS																													
B03 BIN. FLAGS																													
B04 REMOTE OPER.																													
B05 BIN. OUTPUTS																													
B06 LCD/COLOUR																													
...																													
Q01 ENGLISH																													
1 DEUTSCH																													
2 ENGLISH																													
3 FRANCAIS																													
	<table border="1"> <tr><td>Indication 2</td></tr> <tr><td>Conduite 2</td></tr> <tr><td>Autoreglage</td></tr> <tr><td>Parametre</td></tr> <tr><td>Confi</td></tr> <tr><td>Service</td></tr> <tr><td>Superviseur</td></tr> </table>	Indication 2	Conduite 2	Autoreglage	Parametre	Confi	Service	Superviseur	<table border="1"> <tr><td>APPAREIL</td></tr> <tr><td>DEFINITION-EA</td></tr> <tr><td>DEFINITION-SA</td></tr> <tr><td>DEF.E/S BIN</td></tr> <tr><td>BOUCLE 1</td></tr> <tr><td>GENER. PRG</td></tr> </table>	APPAREIL	DEFINITION-EA	DEFINITION-SA	DEF.E/S BIN	BOUCLE 1	GENER. PRG	<table border="1"> <tr><td>B01 LANGUE</td></tr> <tr><td>B02 ENTREES TOR</td></tr> <tr><td>B03 FLAG-BIN</td></tr> <tr><td>B04 TELECOMM.</td></tr> <tr><td>B05 STOR</td></tr> <tr><td>B06 LCD/COULEUR</td></tr> <tr><td>...</td></tr> </table>	B01 LANGUE	B02 ENTREES TOR	B03 FLAG-BIN	B04 TELECOMM.	B05 STOR	B06 LCD/COULEUR	<table border="1"> <tr><td>Q01 FRANCAIS</td></tr> </table>	Q01 FRANCAIS	<table border="1"> <tr><td>1 DEUTSCH</td></tr> <tr><td>2 ENGLISH</td></tr> <tr><td>3 FRANCAIS</td></tr> </table>	1 DEUTSCH	2 ENGLISH	3 FRANCAIS
Indication 2																													
Conduite 2																													
Autoreglage																													
Parametre																													
Confi																													
Service																													
Superviseur																													
APPAREIL																													
DEFINITION-EA																													
DEFINITION-SA																													
DEF.E/S BIN																													
BOUCLE 1																													
GENER. PRG																													
B01 LANGUE																													
B02 ENTREES TOR																													
B03 FLAG-BIN																													
B04 TELECOMM.																													
B05 STOR																													
B06 LCD/COULEUR																													
...																													
Q01 FRANCAIS																													
1 DEUTSCH																													
2 ENGLISH																													
3 FRANCAIS																													



16.2 Navigating through the template



16.3 Possible entries in the template

Insert point	Present ?	Effect of input	Choices of input																								
	Yes, always	The 5-digit Template variant defines the configuration of the controller. The Template must be chosen to suit the required control	<table border="1" style="width: 100%; border-collapse: collapse;"> <tr><td style="text-align: center;">*</td><td style="text-align: center;">*</td><td style="text-align: center;">*</td><td style="text-align: center;">*</td></tr> <tr><td colspan="4" style="text-align: center;">Base variant</td></tr> <tr><td colspan="4" style="text-align: center;">Sub variant</td></tr> <tr><td colspan="4" style="text-align: center;">Alarm variant</td></tr> <tr><td colspan="4" style="text-align: center;">Type input AI01</td></tr> <tr><td colspan="4" style="text-align: center;">Type input AI02</td></tr> </table>	*	*	*	*	Base variant				Sub variant				Alarm variant				Type input AI01				Type input AI02			
*	*	*	*																								
Base variant																											
Sub variant																											
Alarm variant																											
Type input AI01																											
Type input AI02																											
	Only if AI01 or AI02 are defined as Pt100 or thermocouple input	Defines if temperatures are measured in °C or °F	<table border="1" style="width: 100%; border-collapse: collapse;"> <tr><td style="text-align: center;">°C (not °F)</td></tr> <tr><td style="text-align: center;">°F (not °C) 1)</td></tr> </table>	°C (not °F)	°F (not °C) 1)																						
°C (not °F)																											
°F (not °C) 1)																											
	Only if AI01 has been defined by the 4. digit of the Template variant as 0/4-20mA input or as poti-input (except as potentiometer)	Start value of scale AI01, that means measured value for 0 or 4 mA at the input AI01. AI01-SCALE-LO	Number between -9999 and 99999, decimal point can be moved																								
		End value of scale AI01, that means measured value for 20 mA at the input AI01. AI01-SCALE-HI																									
	Only if AI02 has been defined by the 5. digit of the Template variant as 0/4-20mA input or as poti-input (except as potentiometer control with position feedback)	Dimension (units) of the value measured at AI01 AI01-DIM_****	<table border="1" style="width: 100%; border-collapse: collapse;"> <tr><td style="text-align: center;">**** = dimen.</td><td style="text-align: center;">**** = dimen.</td></tr> <tr><td style="text-align: center;">0 none</td><td style="text-align: center;">12 pH</td></tr> <tr><td style="text-align: center;">2 %</td><td style="text-align: center;">13 mm</td></tr> <tr><td style="text-align: center;">3 °C</td><td style="text-align: center;">14 m</td></tr> <tr><td style="text-align: center;">4 °F</td><td style="text-align: center;">15 m/h</td></tr> <tr><td style="text-align: center;">5 mbar</td><td style="text-align: center;">16 mV</td></tr> <tr><td style="text-align: center;">6 bar</td><td style="text-align: center;">17 V</td></tr> <tr><td style="text-align: center;">7 m3/h</td><td style="text-align: center;">18 mA</td></tr> <tr><td style="text-align: center;">8 kg/h</td><td style="text-align: center;">19 A</td></tr> <tr><td style="text-align: center;">9 l/h</td><td style="text-align: center;">20 s</td></tr> <tr><td style="text-align: center;">10 l/h</td><td style="text-align: center;">21 Hz</td></tr> <tr><td style="text-align: center;">11 hl/h</td><td style="text-align: center;">22 kHz</td></tr> </table>	**** = dimen.	**** = dimen.	0 none	12 pH	2 %	13 mm	3 °C	14 m	4 °F	15 m/h	5 mbar	16 mV	6 bar	17 V	7 m3/h	18 mA	8 kg/h	19 A	9 l/h	20 s	10 l/h	21 Hz	11 hl/h	22 kHz
**** = dimen.		**** = dimen.																									
0 none		12 pH																									
2 %	13 mm																										
3 °C	14 m																										
4 °F	15 m/h																										
5 mbar	16 mV																										
6 bar	17 V																										
7 m3/h	18 mA																										
8 kg/h	19 A																										
9 l/h	20 s																										
10 l/h	21 Hz																										
11 hl/h	22 kHz																										
	Only if AI02 has been defined by the 5. digit of the Template variant as 0/4-20mA input or as poti-input (except as potentiometer control with position feedback)	Start value of scale AI02, that means measured value for 0 or 4 mA at the input AI02. AI02-SCALE-LO	Number between -9999 and 99999, decimal point can be moved																								
		End value of scale AI02, that means measured value for 20 mA at the input AI02. AI02-SCALE-HI																									
		Dimension (units) of the value measured at AI02 AI02-DIM_****	Same as insert point 5																								

1) The possibility to adjust °F will be available in coming versions

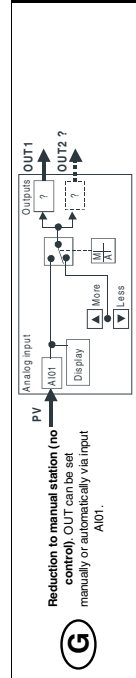
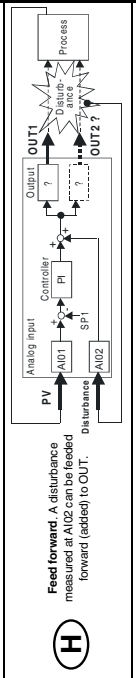
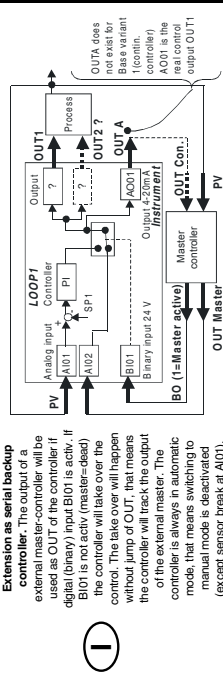
16.4 Basic variants in the template

Table of Base variants (1 digit in 5-digit Template-code)		Notes for parametrisation
Base variant / type control	Control scheme	Adjusting of PI parameters
<p>1</p> <p>Continuous controller</p>	<p>PI-control, analog outputs 4-20 mA, scaled on 0 to 100%, one internal set point SP1, manual/automatic mode to be switched via Key. The manual characteristic is for controllers with one control output OUT(1) "direct", for controllers with dual outputs OUT2/OUT1 it is "inverse-direct". The automatic characteristic is "inverse".</p>	<p>Adjusting of specific parameters of the chosen control type</p> <p>none</p>
<p>2</p> <p>On/Off controller (time proportioned relay output)</p>	<p>Analog output 4-20 mA OUT</p> <p>Relay</p>	<p>Parameterisation OUT1 or OUT2</p> <p>Gain: $\text{ParaLoop1}/1 = \text{value}$ factory setting: G=1</p>
<p>3</p> <p>Heat-Cool control (3-point) with 2 relay outputs</p>	<p>Relay "Heat"</p> <p>Relay "Cool"</p>	<p>Switches/minute OUT1: $\text{ParaLoop1}/57 = \text{value}$ factory setting: 6/min</p> <p>Switches/minute OUT2: $\text{ParaLoop1}/58 = \text{value}$ factory setting: 6/min</p>
<p>4</p> <p>Heat-Cool control with relay (Cool) and analog output (Heat)</p>	<p>Relay "Cool"</p>	<p>Reset time Tr</p> <p>Gain: $\text{ParaLoop1}/2 = \text{value}$ factory setting: Tr=0.1min</p>
<p>5</p> <p>Motorised valve control with 2 relay outputs (for electric actuator)</p>	<p>Relay "Open"</p> <p>Relay "Close"</p>	<p>Parameterisation OUT2: not for motorised valve control and positioner!</p> <p>Gain: $\text{ParaLoop1}/25 = \text{value}$ factory setting G=1</p>
<p>6</p> <p>Positioner (motorised valve control with position feedback being the PV)</p>	<p>Limiting of Position (min and max)</p> <p>Analog- and Digital display OUT shows position</p>	<p>Minimum On-time of relay outputs: $\text{ParaLoop1}/56 = \text{value}$ factory setting 0.05 s</p> <p>Position minimum: $\text{ParaLoop1}/67 = \text{Min.}$</p> <p>Position maximum: $\text{ParaLoop1}/68 = \text{Max.}$</p>
<p>7</p> <p>Split range control with 2 analog outputs (only with additional module AO3..mA)</p>	<p>Analog output 4-20mA</p> <p>Analog output 4-20mA</p>	<p>Dead zone (in% of scale)</p> <p>Gain: $\text{ParaLoop1}/56 = \text{value}$ position minimum: $\text{ParaLoop1}/67 = \text{Min.}$ position maximum: $\text{ParaLoop1}/68 = \text{Max.}$</p> <p>Important for motorised valve control + positioner, both relays will be "open"</p>
<p>8</p> <p>Ratio station</p>	<p>Analog output 4-20 mA</p> <p>Ratio setpoint</p>	<p>Set point ratio limits in $\text{ParaLoop1}/115 + 116$</p>
<p>9</p> <p>Setpoint station</p>	<p>Analog output 4-20 mA</p>	<p>The scaling of the (unused) input AI01 will be used for scaling of the output AO01</p>
<p>10</p> <p>Alarm station with binary or relay outputs</p>	<p>Alarm values acc. alarm variant xxx.x</p> <p>Binary outputs/relays</p>	<p>Alarm values and hysteresis have to be parameterised. See alarm variants xxCxx, xxDxx, xxIxx and xxJxx</p>

16.5 Additional variants in the template

Sub variant/ extension	The base control (Base variant) will be extended or modified according the chosen Sub variant. With "*" marked or striped elements are according the chosen Base variant	Additional parameterisation	Limitations
<p>(0)</p> <p>No Extras. The Base variant will not be modified at all</p> <p style="text-align: center;">See Base variant</p>			
<p>(A)</p> <p>Additional external set point at AI02. This SPExt exists in addition to the internal setpoint SP1. For Base variant there will be also SPExt set points. SPExt and SP1 are the Ratio set points RspExt and Rsp1</p>		<p>Not possible for Base variant 10. The instrument must be equipped with AI02</p>	
<p>(B)</p> <p>Ratio control A/B, display Rpv, A(PV) Rsp in %. The value A will be controlled in that manner, that a set ratio to a measured value B will be achieved. The display shows the ratios Rpv and Rsp in %</p>		<p>Ratio setpoint limitation: Minimum: Para_Loop/115-Min. Maximum: Para_Loop/115-Max.</p>	<p>Not possible for Base variants 8, 9 and 10. The instrument must be equipped with AI02</p>
<p>(C)</p> <p>Ratio control A/(A+B), display Rpv, A(PV) Rsp in %. The value A will be controlled in that manner, that a set ratio to the sum of A and a measured value B will be achieved. The display shows the ratios Rpv and Rsp in %</p>		<p>Constant 1: Para_Loop/100=Min Constant 2: Para_Loop/102=Max Constant 3: Para_Loop/103=Min Para_Loop/103=Max Note: Also negative values are possible</p>	<p>Not possible for Base variants 6, 9 and 10. The instrument must be equipped with AI02</p>
<p>(D)</p> <p>Process value as linear combination of 2 measured values. Out of the measured values at the inputs AI01 and AI02 a set point can be calculated by following equation: $PV = CONST1 * IC1 + CONST2 * (IC2 - 100 * CONST3)$</p>		<p>Constant 3: Para_Loop/103=Min Para_Loop/103=Max Note: Also negative values are possible</p>	<p>Not possible for Base variants 6, 9 and 10. The instrument must be equipped with AI02</p>
<p>(E)</p> <p>Process value as multiplication of 2 measured values. The process value will be calculated out of 2 measured values at the inputs AI01 and AI02 according the equation: $PV = IC1 * (IC2 - 100 * CONST3)$</p>		<p>Limitation of position: position minimum: Para_Loop/167=Min. position maximum: Para_Loop/168=Max. Note: The values of Min and Max are relative to the scaling of AI02.</p>	<p>Only possible for Base variant 5. The instrument must be equipped with AI02</p>
<p>(F)</p> <p>position feedback for motorised valve control (Base variant 5) on AI02. The position of the electric actuator (valve, butterfly valve etc.) is measured at AI02. The position is visible at the controller and can be limited.</p>			

Additional variants in the template, continued

<p>G</p> <p>Reduction to manual station (no control). OUT can be set manually or automatically via input AI01.</p> 	<p>If changeover to automatic mode via key "MAN/AUTO" shall be disabled you have to deactivate the scaling of the regulator in the list configuration, L1-B07-001-2 (only manual mode possible)</p>	<p>Not possible for Base variants 5, 6, 8, 9 and 10. For feed forward and serial back up the instrument must be equipped with AI02.</p>
<p>H</p> <p>Feed forward. A disturbance measured at AI02 can be feeded forward (added) to OUT.</p> 	<p>The intensity of the disturbance can be adjusted by the scaling of AI02 (if AI02 is defined as mA-input)</p>	<p>Warning: In sensor break at AI01 the controller will be set to manual mode (even if Master is active)</p>
<p>I</p> <p>Extension as serial backup controller. The output of a external master-controller will be used as OUT of the controller if digital (binary) input B101 is active. If B101 is not active (master=dead) the controller will take over the control. The take over will happen without jump of OUT, that means the controller will track the output of the external master. The controller is always in automatic mode, that means switching to manual mode is deactivated (except sensor break at AI01).</p> 	<p>Warning: In sensor break at AI01 the controller will be set to manual mode (even if Master is active)</p>	<p>Warning: In sensor break at AI01 the controller will be set to manual mode (even if Master is active)</p>

16.6 Alarm variants in the template

Alarm variant		Scheme of Alarms connected to digital outputs		Parametrisation	Limitations
(O)	No alarms on Digital outputs.	-	-	-	Not for Base variant 10
(A)	Alarms to BO05 (Relay NO-contact) Collective alarm PVmin, PVmax, ERRmin, ERRmax to one digital output. The digital output will be activated if: PV < PVmin (AL1) PV > PVmax (AL2) PV < SP-ERRmin (AL3) X > SP-ERRmax (AL4) The deactivation happens with a hysteresis H		Para./Loop/191 = PVmin factory setting: -9999 Para./Loop/192 = PVmax factory setting: -99999 Para./Loop/193 = ERRmin factory setting: -99999 Para./Loop/194 = ERRmax factory setting: -99999 Para./Loop/195 = Hysteresis factory setting: 1.0000	Not possible for: xBxxx xCxxx xGxxx 9xxxx 10xxxx	
(B)	Alarms to BO02 (24V Transistor)		Alarms to BO02 and BO03. Alarm PVmin1 and PVmax1 to BO0x. Alarm PVmin2 and PVmax2 to BO0y. The digital output BO0x will be activated if: PV < PVmin1 (AL1) PV > PVmax1 (AL2) The digital output BO0y will be activated if: PV < PVmin2 (AL3) PV > PVmax2 (AL4) The deactivation happens with a hysteresis H	Para./Loop/191 = PVmin1 factory setting: -9999 Para./Loop/192 = PVmax1 factory setting: -99999 Para./Loop/193 = PVmin2 factory setting: -9999 Para./Loop/194 = PVmax2 factory setting: -99999 Para./Loop/195 = Hysteresis factory setting: 1.0000	Not possible for: 3xxxx 5xxxx 6xxxx 9xxxx xBxxx xCxxx xGxxx
(C)	Alarms to BO01 and BO02		Alarms to BO01 and BO02. Alarm PVmin1 and PVmax1 to BO0y. Alarm PVmin2 and PVmax2 to BO0x. The digital output BO0y will be activated if: PV < PVmin1 (AL1) PV > PVmax1 (AL2) The deactivation happens with a hysteresis H	Para./Loop/191 = PVmin1 factory setting: -9999 Para./Loop/192 = PVmax1 factory setting: -99999 Para./Loop/193 = PVmin2 factory setting: -9999 Para./Loop/194 = PVmax2 factory setting: -99999 Para./Loop/195 = Hysteresis factory setting: 1.0000	Not possible for: 9xxxx xBxxx xCxxx xGxxx
(D)	Alarms to BO01 and BO02		Alarms to BO01 and BO02. Alarm PVmin1 and PVmax1 to BO0y. Alarm PVmin2 and PVmax2 to BO0x. The digital output BO0y will be activated if: PV < PVmin1 (AL1) PV > PVmax1 (AL2) The deactivation happens with a hysteresis H	Para./Loop/191 = PVmin1 factory setting: -9999 Para./Loop/192 = PVmax1 factory setting: -99999 Para./Loop/193 = PVmin2 factory setting: -9999 Para./Loop/194 = PVmax2 factory setting: -99999 Para./Loop/195 = Hysteresis factory setting: 1.0000	Not possible for: 9xxxx xBxxx xCxxx xGxxx
(E)	Alarms to BO05		Alarm ERRmin1 and ERRmax1 to BO0x. Alarm ERRmin2 and ERRmax2 to BO0y. The digital output BO0x will be activated if: PV < SP - ERRmin1 (AL1) PV > SP + ERRmax1 (AL2) The digital output BO0y will be activated if: PV < SP - ERRmin2 (AL3) PV > SP + ERRmax2 (AL4) The deactivation happens with a hysteresis H	Para./Loop/191 = ERRmin1 factory setting: -99999 Para./Loop/192 = ERRmax1 factory setting: -99999 Para./Loop/193 = ERRmin2 factory setting: -99999 Para./Loop/194 = ERRmax2 factory setting: -99999 Para./Loop/195 = Hysteresis factory setting: 1.0000	Not possible for: 3xxxx 5xxxx 6xxxx 9xxxx 10xxxx xBxxx xCxxx xGxxx
(F)	Alarms to BO01 and BO02		Alarms to BO01 and BO02. Alarm PVmin1 and PVmax1 to BO0y. Alarm PVmin2 and PVmax2 to BO0x. The digital output BO0y will be activated if: PV < PVmin1 (AL1) PV > PVmax1 (AL2) The deactivation happens with a hysteresis H	Para./Loop/191 = PVmin1 factory setting: -9999 Para./Loop/192 = PVmax1 factory setting: -99999 Para./Loop/193 = PVmin2 factory setting: -9999 Para./Loop/194 = PVmax2 factory setting: -99999 Para./Loop/195 = Hysteresis factory setting: 1.0000	Not possible for: 9xxxx 10xxxx xBxxx xCxxx xGxxx xBxxx xCxxx xGxxx xBxxx xCxxx xGxxx

Alarm variants in the template, continued

<p>Not possible for: 3xxxx 5xxxx 6xxxx 9xxxx 10xxxx xBxxx xCxxx xGxxx</p>	<p>Not possible for: 9xxxx 10xxxx xBxxx xCxxx xGxxx xIxxxx</p>		<p>Alarm P/min and ER/min to BOOx: Alarm P/max and ER/max to BOO5</p> <p>Alarm P/min and ER/min to BOO1: Alarm P/max and ER/max to BOO2</p> <p>Alarm P/min and ER/min to BOO3: Alarm P/max and ER/max to BOO5</p> <p>Alarm P/min and ER/min to BOO1: Alarm P/max and ER/max to BOO2</p>	<p>Not possible for: 3xxxx 5xxxx 6xxxx 9xxxx xBxxx xCxxx xGxxx xIxxxx</p>
<p>Not possible for: 9xxxx 10xxxx xBxxx xCxxx xGxxx xIxxxx</p>	<p>Not possible for: 9xxxx 10xxxx xBxxx xCxxx xGxxx xIxxxx</p>		<p>Alarm P/min to BOO3, PVMmax to BOO5</p> <p>Alarm P/min to BOO1, PVMmax to BOO2</p>	<p>Not possible for: 9xxxx 10xxxx xBxxx xCxxx xGxxx xIxxxx</p>
<p>Not possible for: 9xxxx 10xxxx xBxxx xCxxx xGxxx xIxxxx</p>	<p>Not possible for: 9xxxx 10xxxx xBxxx xCxxx xGxxx xIxxxx</p>		<p>Alarm P/min to BOO1, PVMmax to BOO2</p>	<p>Not possible for: 9xxxx 10xxxx xBxxx xCxxx xGxxx xIxxxx</p>
<p>Not possible for: 9xxxx 10xxxx xBxxx xCxxx xGxxx xIxxxx</p>	<p>Not possible for: 9xxxx 10xxxx xBxxx xCxxx xGxxx xIxxxx</p>		<p>Alarm to BOO5</p> <p>Alarm to BOO2</p>	<p>Not possible for: 9xxxx 10xxxx xBxxx xCxxx xGxxx xIxxxx</p>

16.7 Type of analog input AI01 and AI02 in the template

Type of analog input AI01 (4.digit of Template-code)	Type analog input AI01	Type of analog input AI02 (5.digit of Template-code)	Type analog input AI02	Limitations
	* * * *		* * * *	
			No input AI02	Can only be chosen if the variant doesn't use the analog input AI02.
	A 4-20 mA		A 4-20 mA	
	B 0-20 mA		B 0-20 mA	
	C Thermocouple type B (0 to 1800°C = 32 to 3272°F)		C Thermocouple type B (0 to 1800°C = 32 to 3272°F)	
	D Thermocouple type D (0 to 2300°C = 32 to 4172°F)		D Thermocouple type D (0 to 2300°C = 32 to 4172°F)	
	E Thermocouple type E (-200 to 1000°C = -328 to 1832°F)		E Thermocouple type E (-200 to 1000°C = -328 to 1832°F)	
	F Thermocouple type J (-200 to 1200°C = -328 to 2192°F)		F Thermocouple type J (-200 to 1200°C = -328 to 2192°F)	
	G Thermocouple type K (-200 to 1400°C = -328 to 2552°F)		G Thermocouple type K (-200 to 1400°C = -328 to 2552°F)	
	H Thermocouple type L (-200 to 1000°C = -328 to 1832°F)		H Thermocouple type L (-200 to 1000°C = -328 to 1832°F)	
	I Thermocouple type R (0 to 1700°C = 32 to 3092°F)		I Thermocouple type R (0 to 1700°C = 32 to 3092°F)	
	J Thermocouple type S (0 to 1800°C = 32 to 3272°F)		J Thermocouple type S (0 to 1800°C = 32 to 3272°F)	
	K Thermocouple type T (-200 to 400°C = -328 to 752°F)		K Thermocouple type T (-200 to 400°C = -328 to 752°F)	
	L Thermocouple type U (-200 to 600°C = -328 to 1112°F)		L Thermocouple type U (-200 to 600°C = -328 to 1112°F)	
	M Pt 100 2-wire (-200 to +200°C = -328 to 392°F)		M Pt 100 2-wire (-200 to +200°C = -328 to 392°F)	
	N Pt 100 2-wire (-200 to +800°C = -328 to 1472°F)		N Pt 100 2-wire (-200 to +800°C = -328 to 1472°F)	
	P Pt 100 3-wire (-200 to +200°C = -328 to 392°F)		P Pt 100 3-wire (-200 to +200°C = -328 to 392°F)	
	Q Pt 100 3-wire (-200 to +800°C = -328 to 1472°F)		Q Pt 100 3-wire (-200 to +800°C = -328 to 1472°F)	
			R Pt 100 4-wire (-200 to +200°C = -328 to 392°F)	
			S Pt 100 4-wire (-200 to +800°C = -328 to 1472°F)	
	T Poti 150Ohm (75-200 Ohm)		T Poti 150Ohm (75-200 Ohm)	
	U Poti 1500Ohm (750-2000 Ohm)		U Poti 1500Ohm (750-2000 Ohm)	
				Digitric 100 must be equipped with optional input AI02. The choice is only possible if the chosen variant uses the analog input AI02.

Note: If you choose thermocouple inputs, the internal compensation will be active

Examples of Template variants

3 A | A | P | A

Heat-0-Cool control with BO03 as time proportioning relay "Heat", BO04 as time proportioning relay "Cool". External set point SPext at AI02 (4-20mA). Process value PV at AI01= Pt100, 3-wire (200 to +200 °C). Collective alarm PVmin, PVmax, ERRmax, ERRmin at relay BO05

Relay "Heat" BO03
Relay "Cool" BO04
SP-1 (internal setpoint)

5 F | A | A | U

Motorised valve control (electric actuator) with position feedback to AI02 (Poti 1500Ohm). Process value PV at AI01(4-20mA). BO03 as relay for "open", BO04 as relay for "close". Collective alarm PVmin, PVmax, ERRmin, ERRmax at relay BO05

Relay "Open" BO03
Relay "Close" BO04
Poti (750-2000 Ohm)
Limiting of position (min and max)
Analog- and digital display of OUT shows position

2 0 | C | E | 0

On/Off control with time proportioned relay output BO04. Process value PV at AI01 (Thermocouple type E). BO03 as relay pre alarm (PVmin2 and PVmax2), BO05 as relay main alarm (PVmin1 and PVmax1).

Thermocouple type E AI01
SP 1 (no parameter)

1 G | 0 | A | 0

Manual station with continuous output AO01 (4-20mA). External output at AI01 (4-20mA).

Input 4-20mA AI01
Display
Output 4-20mA AO01
More
Less

17 Tables for menus: Indication2/Operate2/Selftune/Service/Supervisor

1.menu 2.menu	3. menu level	4. menu level /description	description			
Indication2	Indication2 In/outputs	Indication2 In/outputs	Indication2 In/outputs	Indication2 In/outputs	Indication2 In/outputs	Indication2 In/outputs
	AI01	Each in/output of the controller which a) exists and b) is recognised and assigned and c) is in the configuration activated can be chosen here. The actual value of the chosen in/output will be displayed. Example: AI01 105.36 °C				
	AI02					
	Alxy					
	AO01					
	AOxy					
	BI01					
	Blxy					
	BO01					
	BOxy					
Indication2	actual PID-Parameters	actual PID-Parameters	actual PID-Parameters			
	G	Display of the actual value of the Gain G of the controller (proportional)				
	Tr	Display of the actual value of the reset time Tr of the controller (integral)				
	Td	Display of the actual value of the derivative time Td of the controller (derivative)				
	MR	Display of the actual value of the manual reset MR of the controller				
Indication2	Identification	Identification	Identification	Identification	Identification	Identification
	Input circuit	The adjustment of CONF1/LOOP1/B03/Q01 will be displayed				
	Control function	The adjustment of CONF1/LOOP1/B01/Q01 will be displayed				
Indication2	Controller output	The adjustment of CONF1/LOOP1/B01/Q02 will be displayed				
	Lib.ver:3.x.y	Lib.ver:3.x.y	Lib.ver:3.x.y	Lib.ver:3.x.y	Lib.ver:3.x.y	Lib.ver:3.x.y
Indication2	The library version of the IBIS R+ software (PC) belonging to the actual controller firmware will be displayed					
	Fw.Vers:01.2yz	Fw.Vers:01.2yz	Fw.Vers:01.2yz	Fw.Vers:01.2yz		
	The firmware version in the controller will be displayed					
Indication2	Indication Parameter	Indication Parameter	Indication Parameter	Indication Parameter		
	Display of all parameters which are defined in the menu PARAMETER (parameters 1 to 199).					

1.menu	2.menu	3. menu level	4. menu level /description	description
---------------	---------------	----------------------	-----------------------------------	--------------------

Operate 2	Operate 2	Operate 2	Operate 2	Operate 2	Operate 2	Operate 2
Operate 2	local/remote	local/remote	local/remote	local/remote	local/remote	local/remote
loc/rem	only local	Only local operation via controller front possible				
	remote>local ?	Changeover from remote to local operation via <Enter>				
	local>remote ?	Changeover from local to remote operation via <Enter>				

Selftune	Selftune	Selftune	Selftune	Selftune	Selftune	Selftune
Selftune	no Selftune	Access to selftune is disabled. It can be enabled by CONF/LOOP1/B01/Q05=1. Parametrisation of the selftune in PARAMETER/LOOP1/125 to 128				
	cancel Selft.?	Only visible while selftune is running				
Selftune	Start Selft.?	Selftune can be started by <Enter>. After finalisation you will see blinking: "Selft. ready !". By <Esc> then <Enter> the display will show you: "Selft. > Gain". With <↑> and <↓> you can step through following displays:	Selft. > Gain	display and editing of calculated G		
			Selft. >Tr	display and editing of calculated Tr		
			Selft. >Td	display and editing of calculated Td		
			accept -> 1?	by <Enter> writing in parameter set 1		
			accept -> 2?	by <Enter> writing in parameter set 2		
			System par.	Shows the calculated control system parameters: Gs, Tu, Tg.		

1.menu	2.menu	3. menu level	4. menu level /description	description					
Service	Information	ABB	company name						
		Digitric 100	Device name, Digitric 100						
		CPU:x	CPU version, e.g. x=A						
		F:x.xxxxxx.x	Production number, e.g.: F:6.850291.6						
		F-Dat:dd.mm.yy	Production date						
		Confi-No.:xxxxx	Configuration number: 00000=standard ; xxxxx= if custom configuration by factory						
		R-Dat:dd.mm.yy	Repair date						
		empty	unused						
		Service	Info HardWare	M1= _ _ _ _ _	<p>Modules assembled in the controller will be shown. Modules can be e.g.:</p> <ul style="list-style-type: none"> - RS-232/485 - AO3-mA - AI2-mAmA i - BO4-RELAIS - ProfibusDP - <p>The module is not ready for the Configuration in general. In fact it has to be either in CONFI/INSTRUMENT/B12/Q01 manually assigned or via CONFI/INSTRUMENT/B11/Q01=1 automatically recognised and assigned.</p>				
				AI02= _ _ _ _ _	AI02 exists	The optional universal input AI02 is present (assembled on main board)			
No AI02	The optional universal input AI02 is not present (not assembled on main board)								
Service	Display Unit			Contrast LCD	0 to 9	Adjustment of the contrast at the LCD display			

1.menu	2.menu	3. menu level	4. menu level /description	description									
Service	Service	Adjustment	Adjustment	Adjustment	Adjustment	Adjustment	An adjustment for teletransmitters has to be done to connect start and end position to defined measurement values. For Pt-100 2 wire sensors it is necessary to prevent the influence of the connecting cable resistance.						
							Service	Adjustment	Adjustment	Adjustment	Adjustment	Adjustment	Basic unit AI01 n.adjust. Adjustment only possible if AI01 is configured as Pt100 2-wire oder teletransmitter (Poti).
													AI01 Pt100-2W Adjustment of analog input AI01 if configured as Pt-100 2-wire Warning: don't do a adjustment with open input ! Connect the Pt100 (2 wire) cables to the controller input AI01. Disconnect the Pt100 at the sensor from the connection cables, then connect the two cables (only the connection cable resistance at the input now). Start the adjustment. After adjusting you will see for 3 seconds the message "AI01 adjusted".
													AI01 POT1500 Adjustment of analog input AI01 if configured as teletransmitter 1500Ohm Connect teletransmitter (poti 750 to 2000 Ohm) to AI01. Then start adjustment. Request: "Set Pot LoEnd", that means bring poti in start position.Then confirm with <Enter>. After request: "Set Pot HiEnd" bring poti in end position. Confirm with <Enter>. Important: the resistance in start position has to be smaller than in end position.
													AI01 POT150 see AI01 POT1500 (only difference: the resistance has to be 75 to 200 Ohm)
													AI02 n.adjust. Adjustment only possible if AI02 is configured as Pt100 2-wire oder teletransmitter (Poti).
													AI02 Pt100-2W Adjustment of analog input AI02 if configured as Pt-100 2-wire Warning: don't do a adjustment with open input ! Connect the Pt100 (2 wire) cables to the controller input AI02. Disconnect the Pt100 at the sensor from the connection cables, then connect the two cables (only the connection cable resistance at the input now). Start the adjustment. After adjusting you will see for 3 seconds the message "AI02 adjusted".
													AI02 POT1500 Adjustment of input AI02 if configured as tele-transmitter 1500Ohm (only Digitric) Connect teletransmitter (poti 750 to 2000 Ohm) to AI02. Then start adjustment. Request: "Set Pot LoEnd", that means bring poti in start position.Then confirm with <Enter>. After request: "Set Pot HiEnd" bring poti in end position. Confirm with <Enter>. Important: the resistance in start position has to be smaller than in end position.
													AI02 POT150 See AI02 POT1500 (but overall resistance of poti: 75 to 200 Ohm)
													Slot 1 For Pt-100 2wire identic as in basic unit but with analog Input Alxy (Use pins at module). Teletransmitters at the modul AI2_PT_3/4W cannot be adjusted. The adjustment must there be done by changing starting point of scale [CONF1/AI-Definition/Bxy/P05= -y _{close} *100/(y _{open} -y _{close})] and end point of scale [CONF1/AI-Definition/Bxy/P06=(100*(100-y _{close}))/(y _{open} -y _{close})].

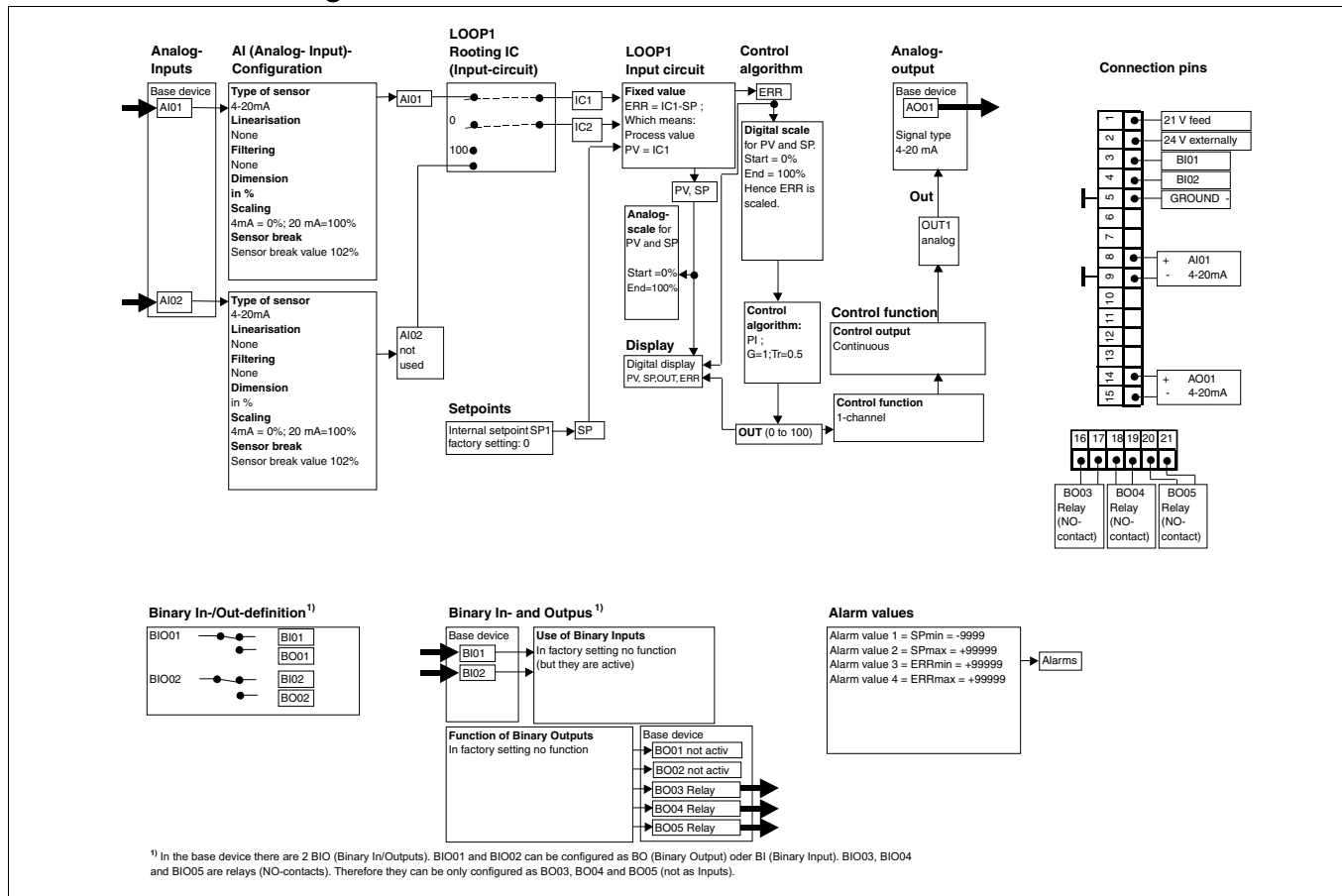
1.menu	2.menu	3. menu level	4. menu level /description	description			
Service Calibration	Service Calibration	Calibration		Calibration	Calibration		
		Warning!	In normal cases there is no need for any calibration as our devices are exactly calibrated ex factory. If you do a incorrect calibration the controller will be useless. If you are unsure give your device to ABB for calibration.				
		Basic unit	AI01 mA calib? Calibration of analog input AI01 if configured as 0(4)-20 mA input	Connect a precision current provider to the input for current measurement then start calibrator. After request "0 mA input", adjust current to 0 mA then confirm with <Enter>. After further request "20 mA input", adjust current to 20 mA, then confirm with <Enter>. Note: The currents 0 or 20 can be edited (in small limits). Limits: 0mA :-1 to 5 mA ; 20 mA: 15 to 22 mA.			
			AI01 Pt calib? Calibration of analog input AI01 if configured as Pt 100 input	Connect a precision resistance provider to the inputs. <u>Digitric 100</u> : connect pins 6+7 with one end, pins 9 with the other end of the resistance. Note: If you use cables the resistance of the cable from pin 6 to the resisitor must be the same as the cable from pin 9 to the resistor. Start calibration. After request "0 Ohm input", adjust resistance to 0 Ohm, then confirm with <Enter>. There will be further requests for 200 and 400 Ohm. Please adjust them and confirm with <Enter>. Note: The resistances can be edited (in small limits). Limits: 0 Ohm: 0-1 Ohm ; 200 Ohm: 180-220 Ohm ; 400 Ohm: 360-450 Ohm.			
AI01 Pot calib? Calibration of analog input AI01 if configured as teletransmitter input	Connect a precision resistance provider to the inputs for 4 wire. <u>Digitric 100</u> : connect pins 6+7 with one end, pins 9 with the other end of the resistance. Note: If you use cables the resistance of the cable from pin 6 to the resisitor must be the same as the cable from pin 9 to the resistor. Start calibration. After request "0 Ohm input", adjust resistance to 0 Ohm, then confirm with <Enter>. There will be further requests for 200 and 2000 Ohm. Please adjust them and confirm with <Enter>. Note: The resistances can be edited (in small limits). Limits: 0 Ohm: 0-1 Ohm ; 200 Ohm: 180-220 Ohm ;2000 Ohm: 2000-2200 Ohm.						

1.menu	2.menu	3. menu level	4. menu level /description	description
Service	Calibration	AI01 mV calib? Calibration of analog input AI01 if configured as thermocouple input	AI01 mV calib? Calibration of analog input AI01 if configured as thermocouple input	Connect a precision mV provider to the inputs for thermocouple. <u>Digitric 100</u> : pin 7="+", pin 9= "-"), then start calibration. After request "-10 mV input", adjust voltage to -10 mV, then confirm with <Enter>. After second request "80 mV input", adjust voltage to 80 mV, then confirm with <Enter>. Note: the voltage -10mV and 80 mV can be edited (in small limits). Limits: -10 mV: -10 to -5 V ; 80 mV: +60 to +85 mV
		AI02= mA calib? Calibration AI02 if 0(4)-20 mA input	AI02= mA calib? Calibration AI02 if 0(4)-20 mA input	see calibration of AI01 but use connection pins for Input AI02. <u>Digitric 100</u> : pin 12="+", pin 13= "-")
		AI02 Pt calib? Calibration of analog input AI02 if configured as Pt 100 input	AI02 Pt calib? Calibration of analog input AI02 if configured as Pt 100 input	Connect a precision resistance provider to the inputs. <u>Digitric 100</u> : connect pins 10+11 with one end, pins 9+13 with the other end of the resistance. Note: If you use cables the resistance of the cable from pin 10 to the resistor must be the same as the cable from pin 9 to the resistor. Start calibration. After request "0 Ohm input", adjust resistance to 0 Ohm, then confirm with <Enter>. There will be further requests for 200 and 400 Ohm. Please adjust them and confirm with <Enter>. Note: The resistances can be edited (in small limits). Limits: 0 Ohm: 0-1 Ohm ; 200 Ohm: 180-220 Ohm ; 400 Ohm: 360-450 Ohm.
Service	Calibration			

1.menu	2.menu	3. menu level	4. menu level /description	description	
Service	Calibration	AI02 Pot calib? Calibration of analog input AI02 if configured as teletransmitter input		Connect a precision resistance provider to the inputs. <u>Digitric 100</u> : connect pins 10+11 with one end, pins 9+13 with the other end of the resistance. Note: If you use cables the resistance of the cable from pin 10 to the resistor must be the same as the cable from pin 9 to the resistor. Start calibration. After request "0 Ohm input", adjust resistance to 0 Ohm, then confirm with <Enter>. There will be further requests for 200 and 2000 Ohm. Please adjust them and confirm with <Enter>. Note: The resistances can be edited (in small limits). Limits: 0 Ohm: 0-1 Ohm ; 200 Ohm: 180-220 Ohm ;2000 Ohm: 2000-2200 Ohm.	
		AI02 mV calib? Calibration of analog input AI02 if configured as thermocouple input		Connect a precision mV provider to the inputs for thermocouple. <u>Digitric 100</u> : pin 11="+", pin 13="-", then start calibration. After request "-10 mV input", adjust voltage to -10 mV, then confirm with <Enter>. After second request "80 mV input", adjust voltage to 80 mV, then confirm with <Enter>. Note: the voltage -10mV and 80mV can be edited (in small limits). Limits: -10 mV: -10 to -5 V ; 80 mV: +60 to +85 mV	
		AO01= mA calib? Calibration of analog output AO01 (0/4-20mA)		Connect analog output AO01 (mA) to analog input AI01 (mA). That means connect pin 8 with 14 and pin 9 with 15: Then start calibration (0 and 20 mA will be calibrated). Other values than 0 and 20 can be edited. Limits: mA: 0 to 5 mA ; 20 mA: 15 to 22 mA. For correct calibration of AO01, the analog input AI01 has to be calibrated exactly.	
		Slot1		Analog inputs on modules cannot be calibrated in the controller. If necessary contact ABB for calibration of single modules.	
Service	Calibration	Comm.- Service	Comm.- Service	Comm.- Service	Comm.- Service
		Modbus	Service FC: ___	Shows function code of the last Modbus service	Service FC: 00000, means there had been no communication. The time difference will then show 00000
			Timediff./sec	Shows time since the last Modbus service	
		ProfibusDP	Service FC: ___	Shows function code of the last Profibus service	
	Timediff./sec	Shows time since the last Profibus service			

1.menu	2.menu	3. menu level	4. menu level /description	description	
Supervisor					
Supervisor	Plausibility	Plausib. =OFF	After pressing of <Enter> you will receive the request "Plausib =ON ?". After confirmation with <Enter> the controller is set on "Plausib = ON".	Plausibility=ON means that there is plausibility check activ. That means only plausible configurations and parametrisations will be accepted.	Supervisor
		Plausib. =ON	After pressing of <Enter> you will receive the request "Plausib =OFF?". After confirmation with <Enter> the controller is set on "Plausib = OFF".		
Supervisor	MASTER RESET	After pressing of <Enter> you will receive the request "MASTER RESET ?". After confirmation with <Enter> the controller will be reseted to the factory preset. (Warning: all configuration and parametrisation is gone)			
	Template	After pressing of <Enter> you will get into the "Template" The Template allows you a very fast configuration of the controller based on a 5-digit code Xxxxx. You will get full instruction in the paragraph "Template". Warning: if you activate the template all former configuration and parametrisation is gone.			

18 Tables for the configuration menu



¹⁾ In the base device there are 2 BIO (Binary In/Outputs). BIO01 and BIO02 can be configured as BO (Binary Output) oder BI (Binary Input). BIO03, BIO04 and BIO05 are relays (NO-contacts). Therefore they can be only configured as BO03, BO04 and BO05 (not as Inputs).

Fig. 18-1 Digitric 100 Factory setting

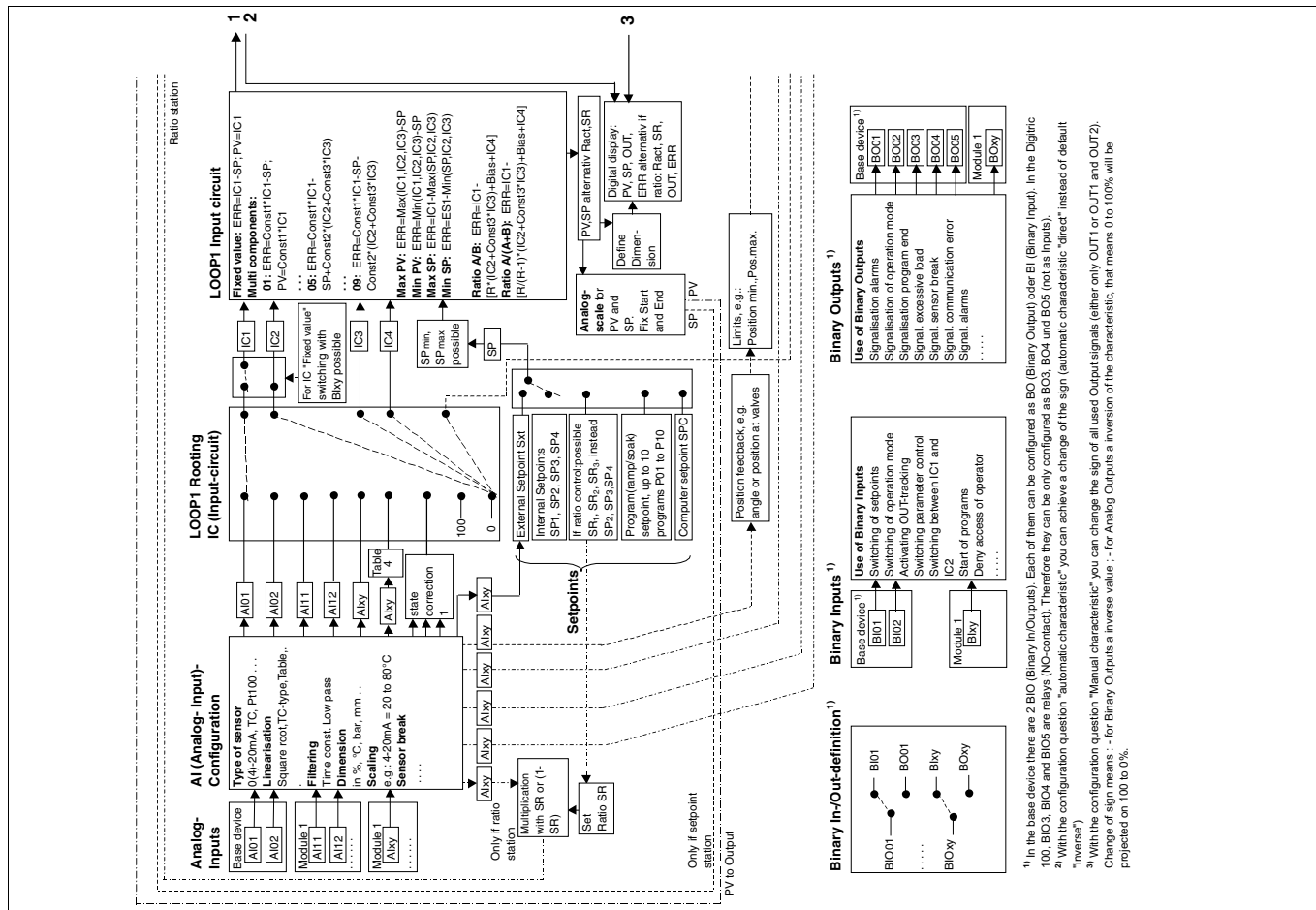


Fig. 18-2 Basic structure of the list configuration for Loop 1 (continued in Fig. 18-3)

¹⁾ In the base device there are 2 BIO (Binary In/Outputs). Each of them can be configured as BO (Binary Output) oder BI (Binary Input), in the Digictr 100, BIO3, BO4 and BIO5 are relays (NO-contact). Therefore they can be only configured as BO3, BO4 and BO5 (not as inputs).

²⁾ With the configuration question "automatic characteristic" you can achieve a change of the sign (automatic characteristic "direct" instead of default "inverse")

³⁾ With the configuration question "Manual characteristic" you can change the sign of all used Output signals (either only OUT1 or OUT1 and OUT2). Change of sign means: - for Binary Outputs an inverse value; - for Analog Outputs an inversion of the characteristic, that means 0 to 100% will be projected on 100 to 0%.

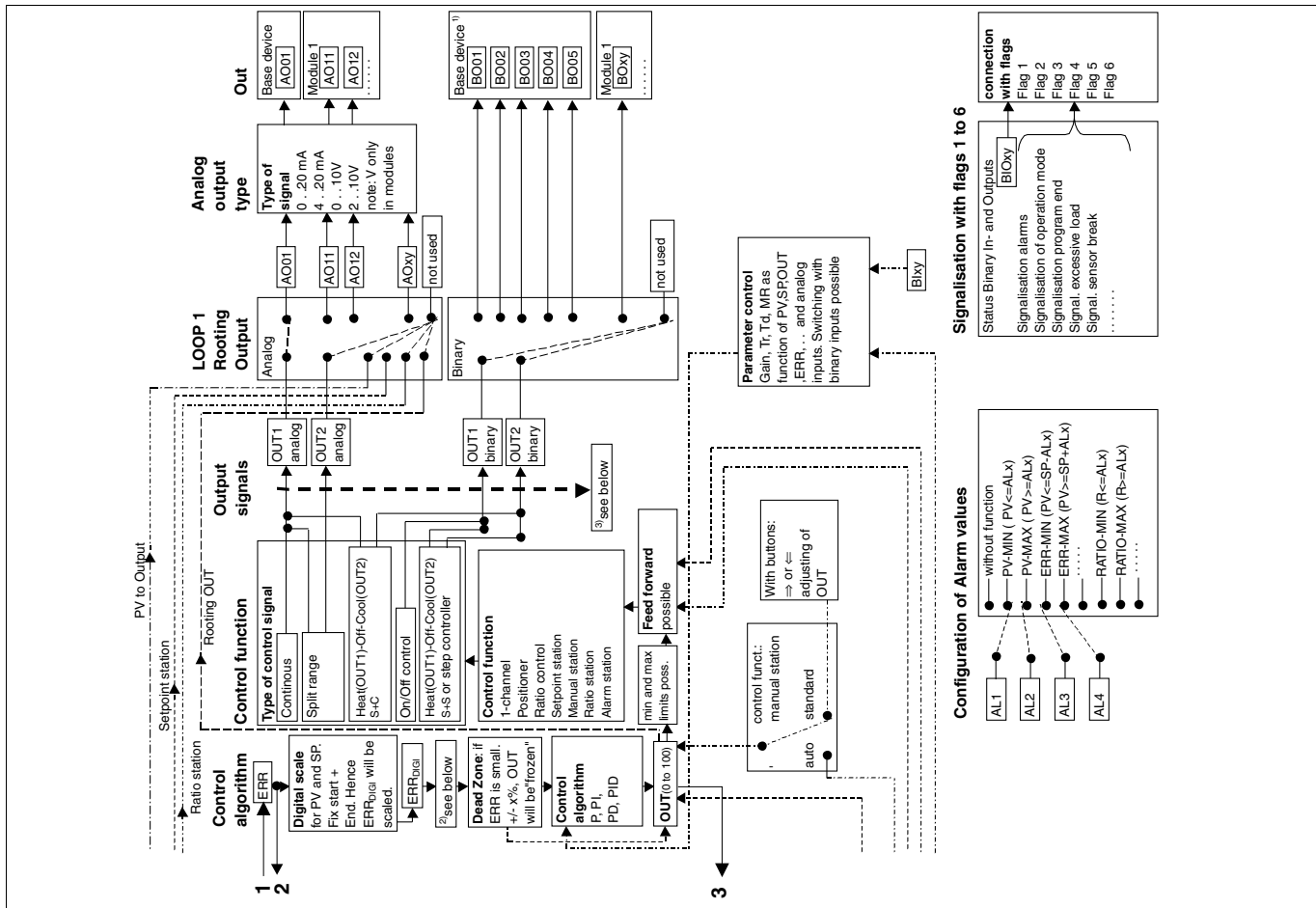


Fig. 18-3 Basic structure of the list configuration for Loop 1, part 2

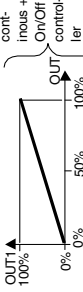
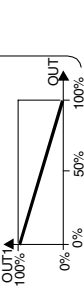
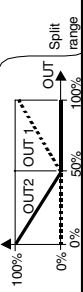
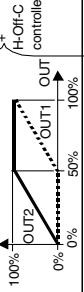
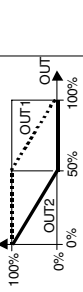
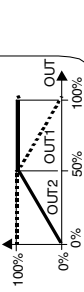
1. menu	2. menu	CONFIGURATION		CONFIGURATION		CONFIGURATION		description
		mod- ule	question / parameter	settings	INSTRUMENT	INSTRUMENT	INSTRUMENT	
B01 LANG. UAE	Q01 Language	1	DEUTSCH	German texts				
		2	ENGLISH	English texts				
		3	FRANCAIS	French texts				
		4				
B02 B02 BINARY INPUTS	Q01 Locking of parameter definitions and contl. levels	0	LOCK PAR OFF	No locking				
		1	LOCK PAR=BI01	Locking with BI01				
		2	LOCK PAR=BI02	Locking with BI02				
		xy=11 to 16	LOCK PAR=BIxy	Locking with BIxy				
B03 BINARY FLAGS	Q02 Locking of all operator interventions	0	LOCK OP=BI0FF	No locking of operator interventions				
		1	LOCK OP=BI01	with BI01				
		2	LOCK OP=BI02	with BI02				
		xy=11 to 16	LOCK OP=BIxy	with BIxy				
B04 REMOTE OPERATION	Q03 Alarm acknowledge- ment with binary input	0	NO ALM=QUIT	No alarm acknowledgement with binary input				
		1	QUIT ALM=BI01	with BI01				
		2	QUIT ALM=BI02	with BI02				
		xy=11 to 16	QUIT ALM=BIxy	with BIxy				
B05 BINARY OUTPUTS	Q04 Locking of the menu key	0	LockMenu OFF	No locking of the menu key				
		1	LockMenu BI01	with BI01				
		2	LockMenu BI02	with BI02				
		xy=11 to 16	LockMenu BIxy	with BIxy				
B06 DISPLAY	Q01 Flag1 connected with binary- input/output	0	FLAG1_BX_OFF	Flag 1 not connected				
		1	FLAG1_BX01	Flag 1 connected to BI01 or BO01				
		y=2 to 5	FLAG1_BX0y	Flag 1 connected to BI0y or BO05				
		xy=11 to 16	FLAG1_BXxy	Flag 1 connected to BIxy or BOxy				
REMOTE OPERATION	Q02 to Q06 Configuration for flag 2 to 5, identic to flag 1	LOCAL OPER.		Local operation of unit only				
		1	LOC/REM OP.	Local operation of unit or via port. Changeover in operation 2				
		2	LOC/REM OP.	Local operation via port only				
		3	REMOTE OPER.	Local operation via port only				
BINARY OUTPUTS	Q01 Self-test	4	LOCAL + REMOTE	Local operation equally on unit or via port				
		0	SELFTST=NO BO	No output				
		1	SELFTST=BO01	BO01				
		y = 2 to 5	SELFTST=BOxy	BOxy				
BINARY OUTPUTS	Q02 Error in telegram communi- cations	0	COM_ERR=NO BO	No output				
		1	COM_ERR=BO01	BO01				
		y = 2 to 5	COM_ERR=BOxy	BOxy				
		xy=11 to 16	COM_ERR=BOxy	BOxy				
DISPLAY	Q01 Base color	0	COLOR GREEN	Color green				
		1	COLOR RED	Color red				
		0	COL_CHA_OFF	not connected to BI/BO				
		1	COL_CHA.BX01	via BI/BO01				
DISPLAY	Q02 Changing color via BI/BO	xy=2 to 5	COL_CHA.BXxy	via BI/BOxy				
		xy=11 to 16	COL_CHA.BXxy	via BI/BOxy				
		0	NO FLASH	No flashing of color				
		1	1 SECOND	Color changes each second				
DISPLAY	Q03 Flashing color if color change is active	2	2 SECONDS	Color changes each 2 seconds				
		3	5 SECONDS	Color changes each 5 seconds				
DISPLAY	Q03 Flashing color if color change is active	4	10 SECONDS	Color changes each 10 seconds				

1 menu	2 menu	mod- ule	question / parameter	settings	description		
CONFIGURATION	INSTRUMENT	B10 ALARM HANDLING	Q01	0	TXT/ALARM-OFF	Alarm texts are not displayed on front panel	
			Alarm indication (on the display)	1	TXT/ALARM-ON	Alarm texts are displayed	
	INSTRUMENT	B10	Q02	0	QUIT_OFF	No acknowledgement necessary	
			Alarm acknow- ledgement	1	QUIT_SINGLE	Only the displayed alarm is acknowledged	
	CONFIGURATION	INSTRUMENT	B11 USED MODULES	Q01	0	B12:MANUAL	Modules have to be entered manually (see Instrument-B12)
				Module assignment	1	B12: AUTOMATIC	Unit starts a scan procedure to recognise the assembled modules (This takes 1 second, the you will see again Q01=0)
		CONFIGURATION	SET MODULE TYPE	Q01	0	M1=UNUSED	empty
				2	M1=RS485	Serial interface	
				4	M1=ProfibusDP	Profibus module	
				10	M1=A14-mV	4 x thermocouple / mV	
15				M1=A12-mA mA i	2 x mA with galvanic isolation		
16				M1=A12-mA mV i	1 x mA + 1 x thermocouple with galvanic isolation		
17				M1=A12-mV mA i	1 x thermocouple + 1 x mA with galvanic isolation		
18				M1=A12-mV mV i	2 x thermocouple with galvanic isolation		
Slot 1	20			M1=A14-mA p	4 x mA with electronic isolation		
24	M1=A14-f/t			Frequency or time measurement			
CONFIGURATION	INSTRUMENT	PASSWORD	Q01	0	M1=A14-Pt-3/4	2 x Pt100 3/4-wire circuit	
			40	M1=AO3-V	Output 3 x V		
			50	M1=AO3-mA	Output 3 x 20 mA		
			60	M1=BI06-BIN	6-fold binary input/output		
			70	M1=BO4-RELAIS	Output 4 x relays		
			0	PASSWORD_OFF	Password protection is not active		
			1	PASSWORD_ON	Password protection is activated		
			Password protection	2	PASSWORD_TIME	Password protection is active, but will be inactivated for 30 s after returning to the operating display	
			P02 Enter Password	Input	PASSWORD	Enter your password (5 digits, change digit with the INT-key). Default: 0	
			CONFIGURATION	INSTRUMENT	B30 COMMUNICATION	P01 Modbus address	x = 1 to 127
Q02	1	300 BAUD				Baud rate 300	
2	600 BAUD	Baud rate 600					
3	1200 BAUD	Baud rate 1200					
4	2400 BAUD	Baud rate 2400					
5	4800 BAUD	Baud rate 4800					
6	9600 BAUD	Baud rate 9600					
7	19200 BAUD	Baud rate 19200					
8	38400 BAUD	Baud rate 38400					
Q03 Protocol	1	RESERVED				Reserve	
CONFIGURATION	INSTRUMENT	Q04 Parity	2	MODBUS RTU	Modbus RTU		
			0	NONE	no parity test		
CONFIGURATION	INSTRUMENT	Q04 Parity	2	EVEN	even		

1 menu	2 menu	mod- ule	question / parameter	settings	description				
1 menu	2 menu	B30 COMMUNICATION	Q05 Timeout for missing telegrams on bus	0	TIMEOUT=OFF	without monitoring			
				1	1 SECOND	Timeout: 1s			
				2 to 24	2 to 24 SECONDS	Timeout: 2 to 24 s			
				25	25 SECONDS	Timeout: 25 s			
				P06 Profibus address	1 to 125	DP-Slave-Addr 1 to 125	PROFIBUS device address (1=factory setting)		
					Q07 Default DP configuration Input data	0	CFG_I_NONE	No input data	
						1	CFG_I_1WORD	Length of input data: 1 word	
						2	CFG_I_2WORDS	Length of input data: 2 words	
						3	CFG_I_4WORDS	Length of input data: 4 words	
				4		CFG_I_8WORDS	Length of input data: 8 words		
			Q08 Default DP configuration Output data	5	CFG_I_16WORDS	Length of input data: 16 words			
				0	CFG_O_NONE	No output data			
				1	CFG_O_1WORD	Length of output data: 1 word			
				2	CFG_O_2WORDS	Length of output data: 2 words			
				3	CFG_O_4WORDS	Length of output data: 4 words			
			Q09 Timeout for Modbus/Profibus	4	CFG_O_8WORDS	Length of output data: 8 words			
				5	CFG_A_16WORDS	Length of output data: 16 words			
				1	MODBUS	Timeout Modbus (Time s. Q05)			
				2	PROFIBUS	Timeout Profibus (Time s. Q05)			
				3	MOD- PROFIBUS	Timeout Modbus and Profibus			
			1 menu	2 menu	Bxy A1-DEFINITION	A1-DEFINITION	0	UNUSED	Input unused (factory setting for A02, A11 to A14). A0 cannot be disabled.
							1	A1xy 0 ... 20mA	0 ... 20mA
							2	A1xy 4 ... 20mA	4 ... 20mA (default for A01)
3	A1xy TC	Thermocouple							
4	A1xy RTD-2W	P100 as 2-wire circuit							
5	A1xy RTD-3W	P100 as 3-wire circuit							
6	A1xy RTD-4W	P100 as 4-wire circuit (not for A01)							
7	A1xy POT:150	Teletransmitter nominal 150 Ohm (75 to 200 Ohm)							
8	A1xy POT:1500	Teletransmitter, nom. 1500 Ohm (0,75 to 2 kOhm)							
9 (xy>10)	A1xy Period	Time measurement							
10 (xy>10)	A1xy FREQ 10 k	Frequency measurement up to 10 kHz							
11 (xy>10)	A1xy FREQ 20 k	Frequency measurement up to 20 kHz							
12 (xy>10)	Pulse	Pulse counter							
13 (xy>10)	Increment	Increment, transm. and direct. of rotat. (2 inputs)							
14 (xy>10)	Increment.0	Increment, transm. with zero transm. (3 inputs)							
A1-DEFINITION	A1-DEFINITION	Bxy A1-DEFINITION				A1-DEFINITION	1	A1xy-LINEAR	linear
							2	A1xy-SQR1	Square rooting (switch-off below PVO)
							3	A1xy-SQR2	Square rooting (linear below PVO)
							4	A1xy-TYPE L	Typ L (-900 ... 1000°C)
							5	A1xy-TYPE J	Typ J (-900 ... 1200°C)
							6	A1xy-TYPE K	Typ K (-900 ... 1400°C)
							7	A1xy-TYPE U	Typ U (-900 ... 600°C)
							8	A1xy-TYPE R	Typ R (0 ... 1700°C)
			9	A1xy-TYPE S	Typ S (0 ... 1800°C)				
			10	A1xy-TYPE T	Typ T (-900 ... 400°C)				
			11	A1xy-TYPE B	Typ B (0 ... 1800°C)				
			12	A1xy-TYPE D	Typ D (0 ... 2300°C)				
			13	A1xy-TYPE E	Typ E (-900 ... 1000°C)				
			14	A1xy-RTD-200	P1 100 - 200 ... 200°C				
			15	A1xy-RTD-450	P1 100 0 ... 450°C				
			16	A1xy-RTD-800	P1 100-200 ... 800°C				
			17	A1xy-TAB1	Table 1				
			18	A1xy-TAB2	Table 2				
			19	A1xy-TAB3	Table 3				
20	A1xy-TAB4	Table 4							

mod-ule		question / parameter	settings	description			
1 menu	2 menu						
CONFIGURATION	Bxy AE-DEFINITION	Q03	0	Aixy-NO DIM no dimension			
			1	Aixy DIM USER 4-digits, user-defined			
			CONFIGURATION	Bxy AI-DEFINITION	Dimension for Aixy	2	Aixy DIM % %
						3	Aixy DIM °C °C
						4	Aixy DIM °F °F automatic range switch-over
						5	Aixy DIM mbar mbar
						6	Aixy DIM bar bar
						7	Aixy DIM m3/h m3/h
						8	Aixy DIM kg/h kg/h
						9	Aixy DIM t/h t/h
						10	Aixy DIM l/h l/h
						11	Aixy DIM hl/h hl/h
						12	Aixy DIM pH pH
						13	Aixy DIM mm mm
						14	Aixy DIM m m
						15	Aixy DIM m/h m/h
						16	Aixy DIM mV mV
						17	Aixy DIM V V
						18	Aixy DIM mA mA
						19	Aixy DIM A A
						20	Aixy DIM s s
						21	Aixy DIM Hz Hz
22	Aixy DIM kHz kHz						
CONFIGURATION	Bxy AE-DEFINITION	P04				Input	Aixy-USER DIM Edit dimension in the display (if Q03=1)
		P05	Input	Aixy-SCAL-LO Range: -9999 to 99999 ; Resolution: 1 Factory setting 0% of measuring range			
		P06	Input	Aixy-SCAL-HI Range: -9999 to 99999 ; Resolution: 1 Factory setting: 100% of measuring range			
		CONFIGURATION	Q07	0	Aixy NONE no reference junction		
				1	Aixy TREF INT Internal		
				2	Aixy TREF 0C external 0 °C		
				3	Aixy TREF 20C external 20 °C		
				4	Aixy TREF 50C external 50 °C		
		CONFIGURATION	Q08	5	Aixy TREF 60C external 60 °C		
				Input	Aixy-SQR Range: -9999 to +99999; Resolution 0.01 Factory setting 0.0		
				Input	Aixy-FILTERT. Range: 0 to 120 s ; Resolution: 1 s Factory setting 0 s (0,00,00 h)		
				1	Aixy-FAIL-VAL Default value		
				2	Aixy-OLD-VAL Hold last measured value		
		CONFIGURATION	Bxy AE-DEFINITION	P11	Input	Aixy-FAIL-VAL Range: 0 to 102% ; Resolution 0.0001 Factory setting 102%	
				0	Aixy-ERR=N:BO No message		
				1	Aixy-ERR=BO01 BO01		
				m n=2 to 5	Aixy-ERR=BOmn BOmn		
				m n=11 to 16	Aixy-ERR=BOmn BOmn		
		CONFIGURATION	Bxy AE-DEFINITION	Q13	0	Aixy=N:FL No errors to flag	
				1	AixyERR=FLG01 via Flag 1		
				2	AixyERR=FLG02 via Flag 2		
				3	AixyERR=FLG03 via Flag 3		
4	AixyERR=FLG04 via Flag 4						
5	AixyERR=FLG05 via Flag 5						
6	AixyERR=FLG06 via Flag 6						

1 menu	2 menu	module	question / parameter	settings	description	
		Bxy AE-DEFINITION	Q15 Signal- and trigger adjustment (only for frequency module)	1	A1xy NAMUR+	Pick-up acc.to NAMUR DIN 19232 positive edge
				2	A1xy NAMUR -	Pick-up acc.to NAMUR DIN 19232 negative edge
				3	A1xy NAMUR +/-	Pick-up acc.to NAMUR DIN 19232 both edges
				4	A1xy 24 V POS	Binary signal 0/24 V positive edge
				5	A1xy 24 V NEG	Binary signal 0/24 V negative edge
				6	A1xy 24 V +/-	Binary signal 0/24 V both edges
				7	A1xy TTL POS	TTL_signal 0/5V positive edge
				8	A1xy TTL NEG	TTL_signal 0/5V negative edge
				9	A1xy TTL +/-	TTL signal 0/5V both edges
				AO-DEFINITION	AO-DEFINITION	
		Bxy (B01 to B13)	Q01 Signal range output A0xy	0	UNUSED	unused (not for A001)
				1	A0xy 0 . . . 20mA	0 . . . 20mA
				2	A0xy 4 . . . 20mA	4 . . . 20mA
				4	A0xy 10 mA	10 mA constant current (only at current module)
				5	A0xy 20 mA	20 mA constant current (only at current module)
				0	AA0xy LD=N.BO	No output
		Bxy AO-DEFINITION	Q02 Output of impedance monitoring via BO	m=1 to 5	A0xy LD.=BOmn	BOmn
				m=11 to 16	A0xy LD.=BOmn	BOmn
				0	A0xy LD=N.FL	No errors to flag
				1	A0xy LD=FLG01	via Flag 1
				2	A0xy LD=FLG02	via Flag 2
				3	A0xy LD=FLG03	via Flag 3
		4	A0xy LD=FLG04	via Flag 4		
		5	A0xy LD=FLG05	via Flag 5		
		6	A0xy LD=FLG06	via Flag 6		
				BIO-DEFINITION	BIO-DEFINITION	
		Bxy (B01 to B16)	Q01 BIO Definition	0	BIOxy=UNUSED	Unused (default for module, xy > 10)
				1	B1xy DIRECT	24V - "logical 1"; 0V - "logical 0"
				2	B1xy INVERS	24V - "logical 0"; 0V - "logical 1"
				3	BOxy ENGISED	"logical 0" - no current; "logical 1"
				4	BOxy DENGISED	"logical 0" - current; "logical 1" - no current
				LOOP1	LOOP1	
		B01	Q01 Control function	1	SINGLE LOOP	Single-channel controller
				8	MANUAL STATION	Single-channel manual station
				9	SETPT-STATION	Single-channel setpoint station
				10	RATIO-STATION	Single-channel ratio station
				11	POSITIONER	Single-channel positioner
				13	ALARM STATION	Single-channel alarm station
				1	CONTINUOUS	continuous
				2	STEP CONTR.	motorised valve control (step control)
				3	ON/OFF CONTR.	On/Off (time proportioning)
				5	H-OFF-C (S+S)	heat-off-cool (2 binary outputs)
				6	H-OFF-C (C+S)	heat(continuous)-off-cool(binary)
		7	SPLIT.R.(C+C)	split range with 2 continuous outputs		
				LOOP1	LOOP1	
				B01 CONTROL-FCT.		

1 menu	2 menu	mod- ule	question / parameter	settings	description	
CONFIGURATION LOOP1	CONFIGURATION LOOP1	B01 CONTROL-FUNCTION	Q03 Manual characteristic (not valid for positioner and step controller)	1	M: CHAR-DIR. 	
CONFIGURATION LOOP1	CONFIGURATION LOOP1			2	M: CHAR-INV. 	
CONFIGURATION LOOP1	CONFIGURATION LOOP1			3	M: INV-DIR. 	
CONFIGURATION LOOP1	CONFIGURATION LOOP1			4	M: DIR-DIR 	
CONFIGURATION LOOP1	CONFIGURATION LOOP1			5	M: INV-INV. 	
CONFIGURATION LOOP1	CONFIGURATION LOOP1			6	M: DIR-INV. 	
CONFIGURATION LOOP1	CONFIGURATION LOOP1	B02 CONTR.PARAM	Q04 position- feedback signal and display	0	NO POS.FBACK NO position-feedback signal	
CONFIGURATION LOOP1	CONFIGURATION LOOP1			1	POS.FBACK=A101	A101
CONFIGURATION LOOP1	CONFIGURATION LOOP1			2	POS.FBACK=A102	A102
CONFIGURATION LOOP1	CONFIGURATION LOOP1			n=11 to 13	POS.FBACK=Aln	Aln
CONFIGURATION LOOP1	CONFIGURATION LOOP1			0	SELFTUNE OFF	Off
CONFIGURATION LOOP1	CONFIGURATION LOOP1			1	SelTune On	On
CONFIGURATION LOOP1	CONFIGURATION LOOP1			1	A:CHAR-DIR. Automatic "direct" action characteristic	Automatic "direct" action characteristic
CONFIGURATION LOOP1	CONFIGURATION LOOP1			2	A:CHAR-INV. Automatic "inverse" action characteristic	Automatic "inverse" action characteristic
CONFIGURATION LOOP1	CONFIGURATION LOOP1			1	P CONTROL Proportional algorithm	Proportional algorithm
CONFIGURATION LOOP1	CONFIGURATION LOOP1			2	PI CONTROL Proportional-Differential algorithm	Proportional-Integral algorithm
CONFIGURATION LOOP1	CONFIGURATION LOOP1			3	PD CONTROL Proportional-Differential algorithm	Proportional-Differential algorithm
CONFIGURATION LOOP1	CONFIGURATION LOOP1			4	PID CONTROL Proportional-Integral-Differential algorithm	Proportional-Integral-Differential algorithm
CONFIGURATION LOOP1	CONFIGURATION LOOP1			1	DIFF. PV controlled variable	controlled variable
CONFIGURATION LOOP1	CONFIGURATION LOOP1	2	DIFF. ERROR Controller deviation	Controller deviation		
CONFIGURATION LOOP1	CONFIGURATION LOOP1	1	DIFF.BIPOLAR bipolar	bipolar		
CONFIGURATION LOOP1	CONFIGURATION LOOP1	2	DIFF.POSITIV only positive changes	only positive changes		
CONFIGURATION LOOP1	CONFIGURATION LOOP1	3	DIFF.NEGATIV only negative changes	only negative changes		
CONFIGURATION LOOP1	CONFIGURATION LOOP1	0	NO START UP inactive	inactive		
CONFIGURATION LOOP1	CONFIGURATION LOOP1	0	G CONST. off	off		
CONFIGURATION LOOP1	CONFIGURATION LOOP1	1	G LIN. PV linear from PV	linear from PV		
CONFIGURATION LOOP1	CONFIGURATION LOOP1	2	G LIN. SP linear from SP	linear from SP		
CONFIGURATION LOOP1	CONFIGURATION LOOP1	3	G LIN. OUT linear from Out	linear from Out		
CONFIGURATION LOOP1	CONFIGURATION LOOP1	4	G LIN. ERR linear from Err	linear from Err		
CONFIGURATION LOOP1	CONFIGURATION LOOP1	5	G LIN. IERR1 linear from IErr1	linear from IErr1		
CONFIGURATION LOOP1	CONFIGURATION LOOP1	7	G TABm PV via table m. of PV	via table m. of PV		
CONFIGURATION LOOP1	CONFIGURATION LOOP1	8	G TABm SP via Table m of W	via Table m of W		
CONFIGURATION LOOP1	CONFIGURATION LOOP1	9	G TABm OUT via Table m of Y	via Table m of Y		
CONFIGURATION LOOP1	CONFIGURATION LOOP1	10	G TABm ERR via Table m of Xw	via Table m of Xw		
CONFIGURATION LOOP1	CONFIGURATION LOOP1	11	G TRANS. ALM4 G switching by AL4 (see LOOP1-B08-Q04 and PARAMETER-LOOP1-s4)	G switching by AL4 (see LOOP1-B08-Q04 and PARAMETER-LOOP1-s4)		
CONFIGURATION LOOP1	CONFIGURATION LOOP1	12	G TRANS=Bix G switching by Bix (see Q06)	G switching by Bix (see Q06)		
CONFIGURATION LOOP1	CONFIGURATION LOOP1	13	G CONTR=Aix G-linear from Aix (see Q09)	G-linear from Aix (see Q09)		

mod- ule	question / parameter	settings	description		
B02 CONTR.PARAM.	Q08 G (Gain) changeover	0	G TRANS=OFF No G-Changeover		
		1	G TRANS=BI01 Changeover with BI01		
		2	G TRANS=BI02 Changeover with BI02		
		xy=11 to 16	G TRANS=BIxy Changeover with BIxy		
		Q09 G-control,AIx	0	G AIX=OFF No G control by AIX	
			1	G CONTR=Ai01 controlled by Ai01	
			2	G CONTR=Ai02 controlled by Ai02	
			xy=11 to 14	G CONTR=Aixy controlled by Aixy	
		B03	Q10 to Q12 Q13 to Q15 Q16 to Q18 Q28 Disturbance Variable Out+Z Q29 Disturbance variable adds to Out Q01	Tr (reset time) control (like G, see Q7 to Q9)	
				Td (derivative time) control (like G, see Q7 to Q9)	
				M/R (manual reset) control (like G, see Q7 to Q9)	
				0	FF:ADD=OFF No disturbance variable feedforward to Out
1	FF:ADD=Ai01 Ai01 adds to Out				
2	FF:ADD=Ai02 Ai02 adds to Out				
xy=11 to 14	FF:ADD=Aixy Aixy adds to Out				
91	FF:ADD=SC1 Output state correction 1 adds to Out				
1	FF:LINEAR linear				
2	FF:DIF.BIPOL different. bipolar				
3	FF:DIF.POSIT. different. unipolar positive changes				
4	FF:DIF.NEGAT. different. unipolar negative changes				
B03 INPUT CIRCUIT	Input circuit (parameters Const1, Const2, Const3, Const4 and BIAS see: PARAMETER/ LOOP1/101 to 104 and 117)	0	No INPUT CIRC		
		1	ONE PV Fixed value Err = IC1-SP		
		2	3 COMPONENT Multicomponents (see submenu Q02) Err = function (IC1, IC2, IC3)		
		3	MULTIPLICATE Multiplication Err = IC1 x (IC2 + Const3 x IC3) - SP		
		4	RATIO1 (A/B) Err = IC1 - (R x (IC2 + Const3 x IC3) + Bias + IC4)		
		5	FIX/RATIO1 Fixed value/ratio1 switchable (1 <-> 4) ratio2		
		6	RATIO2 (A/(A+B)) Err = IC1 - ((R / (1 - R)) x (IC2 + Const3 x IC3)+ Bias + IC4)		
		7	FIX/RATIO2 Fixed value/ratio2 switchable (1 <-> 6)		
		8	EXTR.PV. MAX Extreme value PV: Err = Max (IC1.....IC3) - SP		
		9	EXTR.PV. MIN Extreme value PV: Err = Min (IC1.....IC3) - SP		
		11	EXTR.SP. MIN Extreme value SP: Err = IC1 - Min (SP1,IC2,IC3)		
		B03 INPUT CIRCUIT	Q02 Multi component structure		Multi component structure (submenu of Q01-2) PVh=Const2*(IC2+Const3*IC3); PV=Const1*IC1
ERR =	D PVan,PVdij SPan				
PV.SP	PVh PV SP				
1	3 COMPONENT01 PV+PVh-SP PV PVh SP				
2	3 COMPONENT02 PV+PVh-SP PV PV+PVh SP				
3	3 COMPONENT03 PV+PVh-SP PVh PV SP				
4	3 COMPONENT04 PV+PVh-SP PVh PV+PVh SP				
5	3 COMPONENT05 PV+PVh-SP PV+PVh PV+PVh SP				
6	3 COMPONENT06 PV+PVh-SP PVh PV SP				
7	3 COMPONENT07 PV+PVh-SP PV+PVh PV SP				
8	3 COMPONENT08 PV-(SP+PVh) PV PV SP				
9	3 COMPONENT09 PV-(SP+PVh) PV PV SP+PVh				
		D: D (Differential)-share connected to PVan, PVdi: Analog- + Digital display for PV SPan: Analog display for SP			

mod- ule	question / parameter	settings	description	
B03 INPUT CIRCUIT	Q03 Display of the control deviation	1 IND.ERR:% 2 IND.ERREU	in percent (100% = measuring range of IC1) in EU	
	Q04 Dimension for control variable and setpoint (not. ratio and multiplication)	0 P.S.NO.DIM 1 P.S.USER DIM 2 P.S.DIM % 3 P.S.DIM °C P.S.DIM kHZ	Without dimension 4-digit dimension, definable % °C see AI definition Q03	
	P05 Edit the user dimension	Input Lm-USER-DIM. - - - - Q06 P.S 10000. 1 P.S 1000.0 2 P.S 100.00 3 P.S 10.000 4 P.S 1.0000 5 P.S FLOAT.PT.	Editing of the 4 digit User Dimension in Loop 1 (only if Q04=1) 0 decimal places 1 decimal places 2 decimal places 3 decimal places 4 decimal places Display of floating decimal point	
	P07 Start scaling for PV,SP	Input DIG.IND.LO.	Start of the scale of PV and SP. Factory setting: SP = 0.0 Range: -9999 to 99999	
	P08 End scaling for PV,SP	Input DIG.IND.HI.	End of the scale of PV and SP. Factory setting: SP = 100.0 Range: -9999 to 99999	
	Q09 Digital display of ratio	1 RATIO IS/SP 2 EST-RATIO/ES2	Ratio and Reset ICI and R x C2	
	Q10 Dimension for ratio (also for ratio and multiplication)	0 R NO DIM 1 R USER DIM 2 R DIM %	without dimension (e.g. ratio) 4-digit dimension freely definable % (Factory setting for ratio 2)	
	P11 Edit the user dimension for ratio	Input RUSER-DIM. - - - - Q12 R 10000. 1 R 1000.0 2 R 100.00 3 R 10.000 4 R 1.0000 5 R FLOAT.PT.	Editing of the 4 digit User Dimension in Loop m (only if Q10=1) 0 decimal places 1 decimal places 2 decimal places 3 decimal places 4 decimal places Display of floating decimal point	
	P13 Scaling- offset Ratio	Input Ratio Offset	Offset ratio display: Factory setting: SP = 0.0; Range: -9999 bis 99999	
	P14 Scaling- factor Ratio	Input Ratio Factor	Digital scaling of ratio display for ratio R=1 Factory setting: SP = 100.0 Range -9999 to 99999	
	Q15 Analog display for 0%	1 ANALOG PV,SP 2 ANALOG RATIO	Ratio and Reset Analog 0% s. B03-Q15 value of analog display for 0% Factory setting 0.0. Range -9999 to 99999	
	P16 Value display for 0%	Input ANALOG 0%	Analog 100% s. B03-Q15 value of analog display for 100% Factory setting 100.0 Range -9999 to 99999	
	P17 Value display for 100%	Input ANALOG.100%	Analog 100% s. B03-Q15 value of analog display for 100% Factory setting 100.0 Range -9999 to 99999	
	Q18 PV retension current control variable or React to	0 PV,R=NO AO 1 PV,R=AO01 xy=11 to 13	Not routed to output Analog output AO01 Analog output AOxy ICI = fixed value 0%	
	B04 ROUTING_IC-AI	Q01 Routing_IC1. ICI of input circuit connected with:	0 ICI=0% 1 ICI=A01 2 ICI=A02 xy=11 to 14 ICI=Aixy 91 ICI=SC.1 94 ICI=TAB4 100 ICI=100%	ICI = fixed value 0% ICI connected to AI01 ICI connected to AI02 ICI connected to Aixy Output of the state connection 1 Output of Table 4 Fixed value 100%

mod- ule	question / parameter	settings	description
B04 ROUTING_IC-AI	Q02 Routing_IC2	Routing_IC2=Principle is the same as for IC1 (see Q01)	
	Q03 Routing_IC3	Routing_IC3=Principle is the same as for IC1 (see Q01)	
	Q04 Routing_IC4	Routing_IC4=Principle is the same as for IC1 (see Q01)	
	Q05 TAB4.AI Table 4 connected with xy=11 to14	TAB4=NO AI TAB4=A101 TAB4=A102 TAB4=Aixy BI=NO BI B1=B101 B1=B102 B1=BIxy xy=11 to 16	Not individually used A101 A102 Aixy BI unused B101 B102 BIxy off
B05	Q01 Setpoint 1 of controller 1	SP1.INT=ON SP1.INT=TRACK	can only be changed per keys or interface follows current setpoint
	Q02 SP1 as parameter (is then part of the configuration)	SP1=NO PARAM SP1=PARAM	no yes is not tracked
B05 SETPOINTS	Q03 setpoint 2 = ratio setpoint 1 SR1	SP2.INT=OFF SP2.INT=ON SP2=PARAM.FLX SP2=DELTA.PAR SP2=RA.TIO.TRK	off Only changeable per key or interface Only operatable at parallel Delta only operatable at parallel SR1 follows actual ratio
	Q04 setpoint 3 = ratio setpoint 2 SR2	SP3.INT=OFF SP3.INT=ON SP3=PARAM.FLX SP3=DELTA.PAR SP3=RA.TIO.TRK	off Only changeable per key or interface Only to be operated at parameter menu delta only, to be operated at parameter menu SR2 tracks the actual Ratio
	Q05 setpoint 4 = ratio setpoint 3 SR3	SP4.INT=OFF SP4.INT=ON SP4=PARAM.FLX SP4=DELTA.PAR SP4=RA.TIO.TRK	off Only changeable per key or interface Only to be operated at parameter menu delta only, to be operated at parameter menu SR3 tracks the actual Ratio
	Q06 External setpoint	SP.EXT=A101 SP.EXT=A102 SP.EXT=Aixy xy=11 to14	A101 A102 Aixy
B05 SETPOINTS	Q07 Computer setpoint	SP.COMP=OFF SP.COMP=ON	off on
	Q08 Programmer setpoint	SP.PRGFM=OFF SP.PRGFM=ON	off on
	Q09 Display of setpoint falsified temporarily by ramp	SP.IND=TARGET SP.IND=RAMP	Display of the targeted setpoint Display of the falsified value. The targeted setpoint is displayed during SP adjustment, 3 s after the last actualizing key of the current setpoint.
	Q10 Current setpoint to AOX	SP.ACT=NO AO SP.ACT=AO01 SP.ACT=AO02 SP.ACT=AOxy xy=11 to 13	setpoint not on output Analog output AOX1 Analog output AOX2 Analog output AOXy
CONFIGURATION LOOP1	Q11 Setpoint changeover	SP.TRANS=OFF SP1-SP2 Bix SP1-SP4 Bly	off Bix Bly Setpoint 0 0 SP1 1 0 SP2 0 1 SP3 1 1 SP4 Definition Bix, Bly see B09-Q13, Q14

1 menu	2 menu	mod- ule	question / parameter	settings	description
		B07	Q01	MODE=MAN/AUTO	Manual/Automatic
				MODE=MAN	only manual
				MODE=AUTO	only automatic
			operation mode	MODE=AUTO_MIN	only automatic, manual adjustment has effect on min.threshold for Out
				MODE=AUTO_MAX	only automatic, manual adjustment has effect on max.threshold for Out
				MAN/AUTO/DDC	manual/automatic/computer(DDC)
				MAN/DDC	manual/computer(DDC)
		B07 CONTR.MODES	Q02	TRACK SP OFF	SP1 tracking for Man On has effect on SP1 and RAMP
			SP_Tracking (SP is set to PV)	TRACK SP/ACT	SP1 tracking for Man On has effect only on RAMP
			Q03	DDC=OFF	no DDC
				DDC=MAN,HOLD	In case of computer failure: Manual + last correction value
				DDC=MAN,OUT=0	Man. + safety correct. value 0%
			DDC function	DDC=MAN,DV1	Manual + safety value DV1 (on Out1)
				DDC=MAN,DV2	Manual + safety value DV2 (on Out2)
				DDC=AUTO	begins automatically with last correction value
			Q04 SP back-up setpoint in case of comp. failure.(HOST)	SP-ACTUAL	Adjusted setpoint
				SP-COMP	Computer setpoint
				PV-ACTUAL	last control variable (PV-tracking)
		B07 CONTR.MODES	Q05	POWER=OLDMODE	Previous operation mode
			Operation mode after mains resumption	POWER=MAN,HLD	Manual last correction value
				POWER=MAN,0%	Manual safety correct. value 0%
				POWER=MAN,DV1	Manual safety value DV1
				POWER=MAN,DV2	Manual safety value DV2
			Q06	?AI=OLD MODE	No change
			Operation mode during fault at input (fault on PV)	?AI=MAN,HOLD	Manual last correction value
				?AI=MAN,0%	Manual safety correct. value 0%
				?AI=MAN,DV1	Manual safety value DV1
				?AI=MAN,DV2	Manual safety value DV2
			Q01	ALRM1=OFF	Alarm value without function
		B08		ALARM1 PV-MIN	Alarm value to PV-Min
				ALARM1 PV-MAX	Alarm value to PV-Max
				ALM1 ERR-MIN	Alarm value to Err-Min
				ALM1 ERR-MAX	Alarm value to Err-Max
				ALM1 IERR-MX	Alarm value to I Err I-Max
		B08 ALARMS	Alarm value 1	AL1 ER,SP%MIN	Alarm value to Err-Min in % of SP
				AL1 ER,SP%MAX	Alarm value to Err-Max in % of SP
				AL1 IER1 S%.MAX	Alarm value to I Err I-Max in % of SP
				AL1 DX/DT-MAX	Alarm value dx/dt Max
				AL1 RATIO MIN	Alarm value R = Min. for input Ratio
				AL1 RATIO MAX	Alarm value R = Max. for input Ratio
				AL1 OUT-MIN	Alarm value to Out-Min
				AL1 OUT-MAX	Alarm value to Out-Max
					Not for alarm station

1 menu	2 menu	mod- ule	question / parameter	settings	description	
CONFIGURATION	LOOP1	B08 ALARMS	Q02	n=0 to 15	Alarm value 2 like alarm value 1	
			Alarm value 2	2	ALARM2 PV,MAX	Default alarm value to PV-Max
			Q03	n=0 to 15	Alarm value 3 like alarm value 1	Alarm value 3 like alarm value 1
			Alarm value 3	3	ALARM3 ERR,MIN	Default alarm value to Err-Min
CONFIGURATION	LOOP1	B08 ALARMS	Q04	n=0 to 15	Alarm value 4 like alarm value 1	
			Alarm value 4	4	ALARM4 ERR,MAX	Default alarm value to Err-Max
			Q05	1	ALM1 OP/OP	adjustable in displayed in
			Type alarm 1	2	ALM1 PAR/OP	Operation level
CONFIGURATION	LOOP1	B08 ALARMS	Q06	1	ALM2 OP/OP	adjustable in displayed in
			Type alarm 2	2	ALM2 PAR/OP	Operation level
			2	ALM2 PAR/OP	Operation level	
			3	ALM2 PAR/OP	Para-Level	
CONFIGURATION	LOOP1	B08 ALARMS	Q07	1	ALM3 OP/OP	adjustable in displayed in
			Type alarm 3	2	ALM3 PAR/OP	Operation level
			2	ALM3 PAR/OP	Operation level	
			3	ALM3 PAR/OP	Para-Level	
CONFIGURATION	LOOP1	B08 ALARMS	Q08	1	ALM4 OP/OP	adjustable in displayed in
			Type alarm 4	2	ALM4 PAR/OP	Operation level
			2	ALM4 PAR/OP	Operation level	
			3	ALM4 PAR/OP	Para-Level	
CONFIGURATION	LOOP1	B09	Q01	0	MAN BI=OFF	no function
			Changeover to Manual with last Out-value	1	MAN=BI01	by BI01
			2	MAN=BI02	by BI02	
			xy=11 to 16	MAN=BIxy	by BIxy	
CONFIGURATION	LOOP1	B09 BIN,INPUTS	Q02 Dyn. <-->Stat. function depends on :	1	MAN STATIC	binary input (0 = PREVIOUS MODE, 1 = MAN)
			2	MAN DYNAMIC	changing 0 to 1 switches MAN-AUT-MAN	
			Q05	0	MAN 0% BI=OFF	no function
			Changeover to manual mode with Out = 0%	1	MAN 0%=BI01	by BI01
CONFIGURATION	LOOP1	B09 BIN,INPUTS	Q06 Dyn. <-->Stat. function depends on :	2	MAN 0%=BI02	by BI02
			1	MAN 0%=BIxy	by BIxy	
			2	MAN 0% DYNAM	change 0 to 1 switches: AUT-MAN(OUT=0%)-AUT	
			Q07	0	MAN DV1 BI=OFF	no function
CONFIGURATION	LOOP1	B09 BIN,INPUTS	Changeover to manual mode with defined value 1 (DV1)	1	MAN DV1=BI01	by BI01
			2	MAN DV1=BI02	by BI02	
			xy=11 to 16	MAN DV1=BIxy	by BIxy	
			Q08 Dyn. <-->Stat. function depends on :	1	MAN DV1 STATIC	binary input (0=AUT;1=MAN with OUT=DV1)
CONFIGURATION	LOOP1	B09 BIN,INPUTS	Changeover to manual mode with defined value 2 (DV2)	2	MAN DV1 DYNAM	change 0 to 1 switches: AUT-MAN(OUT=DV1)-AUT
			0	MAN DV2 BI=OFF	no function	
			1	MAN DV2=BI01	by BI01	
			2	MAN DV2=BI02	by BI02	
CONFIGURATION	LOOP1	B09 BIN,INPUTS	Q09	xy=11 to 16	MAN DV2=BIxy	by BIxy
			Changeover to manual mode with defined value 2 (DV2)	1	MAN DV2 STATIC	binary input (0=AUT;1=MAN with OUT=DV2)
			2	MAN DV2 DYNAM	Change 0 to 1 switches: AUT-MAN(OUT=DV2)-AUT	

1 menu	2 menu	module	question / parameter	settings	description		
		B09 BIN/INPUTS	Q11	0 TRCKOUT BI=OFF 1 TRCKOUT=BI01 2 TRCKOUT=BI02 xy=11 to 16 TRCKOUT=BIxy	(Out = Axy) by BI01 by BI02 by BIxy		
			Q12	0 SPRAMP BI=OFF 1 SPRAMP=C=BI01 2 SPRAMP=C=BI02 xy=11 to 16 SPRAMP=C=BIxy	SP ramp stopped by BI01 by BI02 by BIxy		
			Q13 SP changeover/Def inition of Bix (B05-Q11)	0 SPI-4 Bx=OFF 1 SPI-4 Bx=BI01 2 SPI-4 Bx=BI02 xy=11 to 16 SPI-4 Bx=BIxy	No setpoint changeover with Bix by BI01 by BI02 by BIxy		
			Q14 SP changeover/Def inition of Bly (B05-Q11)	0 SPI-4 By=OFF 1 SPI-4 By=BI01 2 SPI-4 By=BI02 xy=11 to 16 SPI-4 By=BIxy	No setpoint changeover with Bly by BI01 by BI02 by BIxy		
			Q15 SP(int)-<-SPxt static change- over from inter- nal (SP1 to-4) to external SP	0 SPI-EXT BI OF 1 SPI-EXT=BI01 2 SPI-EXT=BI02 xy=11 to 16 SPI-EXT=BIxy	out of function by BI01 by BI02 by BIxy		
			B09 BIN/INPUTS	Q16 DIR-<-INV static changeover of characteristic	0 CHAR BI=OFF 1 CHAR=BI01 2 CHAR=BI02 xy=11 to 16 CHAR=BIxy	out of function by BI01 by BI02 by BIxy	
				Q17 Static locking of the SP-adjustment capability	0 LOCK SP BI=OFF 1 LOCK SP=BI01 2 LOCK SP=BI02 xy=11 to 16 LOCK SP=BIxy	out of function by BI01 by BI02 by BIxy	
				Q18 Enabling of remote adjustment (static)	0 REMOTE BI=OFF 1 REMOTE SP 2 REMOTE OUT 3 A=SP, M=OUT	Inhibition of remote adjustment only setpoint (in all operation states) only correction value (in manual) setpoint is automatic; OUT is manual	
				B09 BIN/INPUTS	Q19 Remote ad- justment (more) 100%/60s- adjustment	0 MORE BI=OFF 1 MORE=BI01 2 MORE=BI02 xy=11 to 16 MORE=BIxy	out of function by BI01 by BI02 by BIxy
					Q20 Remote adjustment (less) 100%/60s- adjustment	0 LESS BI=OFF 1 LESS=BI01 2 LESS=BI02 xy=11 to 16 LESS=BIxy	out of function by BI01 by BI02 by BIxy
		Q21 Computation ready			0 COMP NOT BI 1 COMPUTER=BI01 2 COMPUTER=BI02 xy=11 to 16 COMPUTER=BIxy	not used by BI01 by BI02 by BIxy	
		B10 ROUTE			Q01 Routing OUT1 to a contin. control- ler output AOxy	0 OUT1 NO AO 1 OUT1 CON=AO01 xy=11 to 13 OUT1 CON=AOxy	for switching controllers AO01 AOxy unused
					Q02 Routing OUT2 to a contin. control- ler output AOxy	0 OUT2=NO AO 1 OUT2 CON AO01 xy=11 to 13 OUT2 CON AOxy	AO01 AOxy No output
					Q03 Routing Out to AOx	0 OUTA=NO AO 1 OUTA=AO01 xy=11 to 13 OUTA=AOxy	AO01 AOxy

1 menu	2 menu	module	question / parameter	settings	description
CONFIGURATION	LOOP1	B10 ROUTE OUT	Q04 Routing Out1 to Box First switch contact (for step controller "more")	0	OUT1=NO BO for continuous controller
				1	OUT1=BO01 BO01
CONFIGURATION	LOOP1	B10 ROUTE OUT	Q05 Routing of Out2 to Box second switch contact(for step controller/less)	xy=2 to 5	OUT1=BOxy BOxy
				xy=11 to 16	OUT1=BOxy BOxy
CONFIGURATION	LOOP1	B10 ROUTE OUT	Q06 Output limits	0	OUT.L MIT=OFF always inactive (for step controller)
				1	OUT.L MIT=AUT active only in automatic operation
CONFIGURATION	LOOP1	B10 ROUTE OUT	Q08 Out-max int./extern. defined	2	OUT.L MIT=ON active in manual and automatic operation
				0	OUT-MAX=PAR internal parameter
CONFIGURATION	LOOP1	B10 ROUTE OUT	Q09 Out-min int./extern. defined	1	OUT-MAX=AIO1 routed through AIO1
				2	OUT-MAX=AIO2 routed through AIO2
CONFIGURATION	LOOP1	B10 ROUTE OUT	Q10 Out track (see B09-Q11)	xy=11 to 13	OUT-MAX=AIXy routed through AIXy
				0	OUT-MIN=PAR internal parameter
CONFIGURATION	LOOP1	B11	Q01 Alarm value 1 to output	1	OUT-MIN=AIO1 routed through AIO1
				2	OUT-MIN=AIO2 routed through AIO2
CONFIGURATION	LOOP1	B11 BIN. OUTPUTS	Q02 Alarm value 2 to output	xy=11 to 13	OUT-MIN=AIXy routed through AIXy
				0	OUT-TRCK=OFF No Out tracking
CONFIGURATION	LOOP1	B11 BIN. OUTPUTS	Q03 Alarm value 3 to output	1	OUT-TRCK=AIO1 Out= AIO1 if Bix
				2	OUT-TRCK=AIO2 Out= AIXy if Bix
CONFIGURATION	LOOP1	B11 BIN. OUTPUTS	Q04 Alarm value 4 to output	xy=11 to 13	OUT-TRCK=AIXy Out= AIXy if Bix
				0	ALARMT1=NO BO No output
CONFIGURATION	LOOP1	B11 BIN. OUTPUTS	Q05 Feedback signal manual to output	1	ALARMT1=BO01 BO01
				2	ALARMT1=BOxy BOxy
CONFIGURATION	LOOP1	B11 BIN. OUTPUTS	Q06 Feedback signal automatic to output	xy=2 to 5	ALARMT2=BOxy BOxy
				xy=11 to 16	ALARMT2=BOxy BOxy
CONFIGURATION	LOOP1	B11 BIN. OUTPUTS	Q07 Feedback signal external setpoint	0	ALARMT3=NO BO No output
				1	ALARMT3=BO01 BO01
CONFIGURATION	LOOP1	B11 BIN. OUTPUTS	Q08 Feedback signal-external setpoint	xy=2 to 5	ALARMT3=BOxy BOxy
				xy=11 to 16	ALARMT3=BOxy BOxy
CONFIGURATION	LOOP1	B11 BIN. OUTPUTS	Q09 Feedback signal manual to output	0	ALARMT4=NO BO No output
				1	ALARMT4=BO01 BO01
CONFIGURATION	LOOP1	B11 BIN. OUTPUTS	Q10 Feedback signal automatic to output	xy=2 to 5	ALARMT4=BOxy BOxy
				xy=11 to 16	ALARMT4=BOxy BOxy
CONFIGURATION	LOOP1	B11 BIN. OUTPUTS	Q11 Feedback signal external setpoint	0	ALARMT5=NO BO No output
				1	ALARMT5=BO01 BO01
CONFIGURATION	LOOP1	B11 BIN. OUTPUTS	Q12 Feedback signal manual to output	xy=2 to 5	ALARMT5=BOxy BOxy
				xy=11 to 16	ALARMT5=BOxy BOxy
CONFIGURATION	LOOP1	B11 BIN. OUTPUTS	Q13 Feedback signal automatic to output	0	ALARMT6=NO BO No output
				1	ALARMT6=BO01 BO01
CONFIGURATION	LOOP1	B11 BIN. OUTPUTS	Q14 Feedback signal external setpoint	xy=2 to 5	ALARMT6=BOxy BOxy
				xy=11 to 16	ALARMT6=BOxy BOxy
CONFIGURATION	LOOP1	B11 BIN. OUTPUTS	Q15 Feedback signal manual to output	0	ALARMT7=NO BO No output
				1	ALARMT7=BO01 BO01
CONFIGURATION	LOOP1	B11 BIN. OUTPUTS	Q16 Feedback signal automatic to output	xy=2 to 5	ALARMT7=BOxy BOxy
				xy=11 to 16	ALARMT7=BOxy BOxy
CONFIGURATION	LOOP1	B11 BIN. OUTPUTS	Q17 Feedback signal external setpoint	0	ALARMT8=NO BO No output
				1	ALARMT8=BO01 BO01
CONFIGURATION	LOOP1	B11 BIN. OUTPUTS	Q18 Feedback signal manual to output	xy=2 to 5	ALARMT8=BOxy BOxy
				xy=11 to 16	ALARMT8=BOxy BOxy
CONFIGURATION	LOOP1	B11 BIN. OUTPUTS	Q19 Feedback signal automatic to output	0	ALARMT9=NO BO No output
				1	ALARMT9=BO01 BO01
CONFIGURATION	LOOP1	B11 BIN. OUTPUTS	Q20 Feedback signal external setpoint	xy=2 to 5	ALARMT9=BOxy BOxy
				xy=11 to 16	ALARMT9=BOxy BOxy

1 menu	2 menu	mod- ule	question/ parameter	settings	description									
CONFIGURATION	B1 BIN. OUTPUTS		Q09 Program end signal to output	0 PRG.HI=NO BO 1 PRG.HI=BO01 xy=2 to 5 PRG.HI=BOxy xy=11 to 16 PRG.HI=BOxy	No output BO01 BOxy BO76									
			Q10 Binary track 1 of the programmer to binary output	0 PRG.BIN1=N.BO 1 PRG.BIN1=BO01 xy=2 to 5 PRG.BIN1=BOxy xy=11 to 16 PRG.BIN1=BOxy	No output BO01 BOxy BOxy									
			Q11 Binary track 2 of the programmer to binary output	0 PRG.BIN2=N.BO 1 PRG.BIN2=BO01 xy=2 to 5 PRG.BIN2=BOxy xy=11 to 16 PRG.BIN2=BOxy	No output BO01 BOxy BOxy									
			Q12 Binary track 3 of the programmer to binary output	0 PRG.BIN3=N.BO 1 PRG.BIN3=BO01 xy=2 to 5 PRG.BIN3=BOxy xy=11 to 16 PRG.BIN3=BOxy	No output BO01 BOxy v									
			Q13 Binary track 4 of the programmer to binary output	0 PRG.BIN4=N.BO 1 PRG.BIN4=BO01 xy=2 to 5 PRG.BIN4=BOxy xy=11 to 16 PRG.BIN4=BOxy	No output BO01 BOxy BOxy									
			B12	B12 BIN.FLAGS		Q01 Alarm value 1	0 ALARMT1=NO FLG 1 ALARMT1=FLG01 n=2 to 5 ALARMT1=FLG0n 6 ALARMT1=FLG06	Alarm value1 not connected to any Flag Display with Flag 1 Display with Flag n Display with Flag 6						
						Q02 Alarm value 2	0 ALARMT2=FLG 1 ALARMT2=FLG01 n=2 to 5 ALARMT2=FLG0n 6 ALARMT2=FLG06	Alarm value2 not connected to any Flag Display with Flag 1 Display with Flag n Display with Flag 6						
						Q03 Alarm value 3	0 ALARMT3=NO FLG 1 ALARMT3=FLG01 n=2 to 5 ALARMT3=FLG0n 6 ALARMT3=FLG06	Alarm value3 not connected to any Flag Display with Flag 1 Display with Flag n Display with Flag 6						
						Q04 Alarm value 4	0 ALARMT4=NO FLG 1 ALARMT4=FLG01 n=2 to 5 ALARMT4=FLG0n 6 ALARMT4=FLG06	Alarm value4 not connected to any Flag Display with Flag 1 Display with Flag n Display with Flag 6						
						PROGRAMMER	PROGRAMMER	B01	Q01 Program 1	0 PROGR1=OFF 1 PG1-START SP0 2 PG1-START PV	Not activated, without function Start at programmed value Start at instantaneous value			
									Q0n Program n	n=2 to 9	Program 2 to 9			
									Q10 Program 10	0 PG10=OFF 1 PG10-START SP0 2 PG10-START PV	Not activated, without function Start at programmed value Start at instantaneous value			
									Q01 POWER FAIL	0 PRG-RESET 1 PRG-CONTINUE	Program reset after mains resumption Old mode after mains resumption			
									CONFIGURATION	PROGRAMMER	B01 PROGRAMS LOOP1/B05/Q08)	PROGRAMMER		

1 menu	2 menu	mod- ule	question / parameter	settings		description	
				STATE CORR 1	STATE CORR 1		
B01	STATE CORR 1	B01 TASK	Q01	0	UNUSED	unused (see Confr1-Loop1-B04-Q0x-91)	
				1	SC1 GAS ORIF	Gas flow (m3/h)-differential pressure method	
				2	SC1 GAS VOLUM	Gas flow (m3/h)-volume measurement	
				3	SC1 STEAM,ORI	Steam mass flow-differential pressure	
				4	SC1 S.STEAM,P	Saturated steam pressure correction	
				5	SC1 S.STEAM,T	Saturated steam temperature correction	
				6	SC1 WATER,ORI	Water mass flow-differential pressure	
				7	SC1 WATER,VOL	Water mass flow-volume measurement	
B01 TASK	STATE CORR 1	B01 TASK	Input	8	SC1 BOIL,LEV.	Tank water level	
				P02	Qn-CALCUL	Qn,r - Qm,r Qm,r Om,r - -	WAT. VOL
				P03	dP-CALCUL	dP,r - dP,r dP,r dP,r - -	WATER
				P04	P-atm-CALCUL	P _{atm,r} P _{atm,r} P _{atm,r} P _{atm,r} - P _{atm,r} P _{atm,r} -	SATTD-T
				P05	P-CALCUL	POK,r - POK,r POK,r - POK,r POK,r -	S STEAM,P
				P06	T-CALCUL	T,r - T,r - T,r -	S STEAM,T
				P07	Z-CALCUL	Z,r - - - -	GAS VOL
				P08	RHO-CALCUL	RHOmr - - - -	GAS ORIF
				P09	Q-HI	reserved	GAS ORIF
				P10	P-MIN	Pmin Pmin Pmin Pmin - Pmin Pmin Pmin	GAS VOL
				P11	P-MAX	Pmax Pmax Pmax Pmax - Pmax Pmax Pmax	GAS ORIF
				P12	T-MIN	Tmin Tmin Tmin Tmin - Tmin Tmin Tmin	GAS VOL
				P13	T-MAX	Tmax Tmax Tmax Tmax - Tmax Tmax Tmax	GAS ORIF
				P14	RHO-MIN	RHOmin RHOmin - - - -	GAS VOL
				P15	RHO-MAX	RHOmax RHOmax - - - -	GAS ORIF
				P16	DISTANCE	- - - -	GAS VOL
				P17	T-REFERENC	- - - -	GAS ORIF
Q18	1	OVERPRESSURE	x x x x - x x x x	OR			
	2	ABS.PRESSURE	x x x x - x x x x	ORI			
P20	Input	COMP. COEF Z1	Z(1) Z(1) - - - -	SATTD-T			
	Input	COMP. COEF Zn (n=2 to 8)	Z(n) Z(n) - - - -	S STEAM,P			
P28	Input	COMP. COEF Z9	Z(9) Z(9) - - - -	S STEAM,T			
	0	SC1 P-TM-lin	x x x x - x x x x	GAS VOL			
P30	1	SC1 P-TM-SQR	x x x x - x x x x	GAS ORIF			
	Input	RANGE LO	Start value of the value area of the correct. signal. factory preset: 0.0 ; range: -9999 bis 99999	WATER			
P31	Input	RANGE HI	End value of the value area of the corrected signal. factory preset: 100.0 ; range: -9999 bis 99999	SATTD-T			

CONFIGURATION STATE CORR 1

CONFIGURATION STATE CORR 1

STATE CORR 1

STATE CORR 1

1 menu	2 menu	mod- ule	question / parameter	settings	description	
CONFIGURATION						
STATE CORR 1						
CONFIGURATION						
STATE CORR 1						
CONFIGURATION						
STATE CORR 1						
B02 ROUTING_AI	Q32	Dimension for SC1	1	SC1 NO DIM	No dimension	
			2	SC1 USER DIM	4-digit, self definable P33	
			7	SC1 DIM m3/h	m ³ /h	
			8	SC1 DIM kg/h	kg/h	
			9	SC1 DIM t/h	t/h	
			13	SC1 DIM mm	mm	
			14	SC1 DIM m	m	
			Input	DIMENSION	Editing of the user dimension if Q32 = 2	
			001 Measured flow , differential pressure when B01-Q01=8	1	ISC_Q=A101	A101
				2	ISC_Q=A102	A102
				xy=11 to 14	ISC_Q=AIxy	A1xy
			002 Pressure measured value (P) in bar	0	ISC_P_CALC	Not used (P = Pr)
				1	ISC_P=A101	A101
				2	ISC_P=A102	A102
	xy=11 to 14	ISC_P=AIxy	A1xy			
003 Temperature measured value (T) in °C	0	ISC_T_CALC	not used (T = Tr)			
	1	ISC_T=A101	A101			
	2	ISC_T=A102	A102			
	xy=11 to 14	ISC_T=AIxy	A1xy			
F04 Density measured value in kg/m3	0	ISC_DENS_CALC	not used (Rho = Rho nr)			
	1	ISC_DENS=A101	A101			
	2	ISC_DENS=A102	A102			
	xy=11 to 14	ISC_DENS=AIxy	A1xy			
B03 ROUTING_GAO	0	SC1=NO AO	no output			
	1	SC1=AO01	AO01			
	xy=11 to 13	SC1=AOxy	AOxy			

19 Tables for the parameter setting menu

1.menu 2.menu	parameter number	text	description		range		unit	maxi- mum reso- lution	factory setting	user setting	
					min.	max.					
	PARAMETER	PARAMETER	PARAMETER	PARAMETER	PARAMETER	PARAMETER	PARAMETER	PARAMETER	PARAMETER	PARAMETER	
	INSTRUMENT	INSTRUMENT	INSTRUMENT	INSTRUMENT	INSTRUMENT	INSTRUMENT	INSTRUMENT	INSTRUMENT	INSTRUMENT	INSTRUMENT	
PARAMETER INSTRUMENT	Table 1	10	TAB1.0	Checkpt. 0 at 0%		-9999	99999	EU	0,0001	0,0	
		11	TAB1.1	Checkpt. val. 1 at 10%						0,1	
		12	TAB1.2	Checkpt. val. 2 at 20%						0,2	
		13	TAB1.3	Checkpt. val. 3 at 30%						0,3	
		14	TAB1.4	Checkpt. val. 4 at 40%						0,4	
		15	TAB1.5	Checkpt. val. 5 at 50%						0,5	
		16	TAB1.6	Checkpt. val. 6 at 60%						0,6	
		17	TAB1.7	Checkpt. val. 7 at 70%						0,7	
		18	TAB1.8	Checkpt. val. 8 at 80%						0,8	
		19	TAB1.9	Checkpt. val. 9 at 90%						0,9	
	20	TAB1.10	Checkpt. val. 10 at 100%		1,0						
	Table 2	30	TAB2.0	Checkpt. val. 0 at 0%		-9999	99999	EU	0,0001	0,0	
		31	TAB2.1	Checkpt. val. 1 at 10%						0,1	
		32	TAB2.2	Checkpt. val. 2 at 20%						0,2	
		33	TAB2.3	Checkpt. val. 3 at 30%						0,3	
		34	TAB2.4	Checkpt. val. 4 at 40%						0,4	
		35	TAB2.5	Checkpt. val. 5 at 50%						0,5	
		36	TAB2.6	Checkpt. val. 6 at 60%						0,6	
		37	TAB2.7	Checkpt. val. 7 at 70%						0,7	
		38	TAB2.8	Checkpt. val. 8 at 80%						0,8	
39		TAB2.9	Checkpt. val. 9 at 90%		0,9						
40	TAB2.10	Checkpt. val. 10 at 100%		1,0							
Table 3	50	TAB3.0	as tables 1 and 2								
									
	60	TAB3.10									
Table 4	70	TAB4.0	as tables 1 and 2								
									
	80	TAB4.10									

1.menu	2.menu	parameter number	text	description	range		unit	maxi- mum reso- lution	factory setting	user setting
					min.	max.				
		1	GAIN G	LOOP 1 Controller gain G (active)		0.001	1000	ohne	0.0001	LOOP 1 1
		2	RESET TIME Tr	Reset time Tr (active)		0 min	600 min	min	0.0001 min	0.5 min
		3	DERI. TIME Td	Derivative time Td (active)		0 min	600 min	min	0.0001 min	0.1 min
		4	RATE GAIN	Rate gain Gd		1	10	ohne	0.0001	5
		5	MANUAL RESET1	Manual reset MR (active)		-100	+100	%	0.1	50
				U controls G						
		6	GAIN LO	Low G for parameter control		0.001	1000	ohne	0.0001	1
		7	GAIN HI	High G for parameter control		0.001	1000	ohne	0.0001	1
		8	U-GAIN LO	Value of U1 for GAIN LO		Controlling value U1 is defined by: CONF-LOOP1-B02-Q07/Q09				
		9	U-GAIN HI	Value of U1 for GAIN HI		Controlling value U1 is defined by: CONF-LOOP1-B02-Q10/Q12				
		10	Tr-LO	Low Tr for parameter control		0 min	600 min	min	0.0001 min	0.5 min
		11	Tr-HI	High Tr for parameter control		0 min	600 min	min	0.0001 min	0.5 min
		12	U-Tr LO	Value of U2 for Tr-LO		Controlling value U2 is defined by: CONF-LOOP1-B02-Q10/Q12				
		13	U-Tr HI	Value of U2 for Tr-HI		Controlling value U2 is defined by: CONF-LOOP1-B02-Q10/Q12				
		14	Td LO	Low Td for parameter control		0 min	600 min	min	0.0001 min	0.1 min
		15	Td HI	High Td for parameter control		0 min	600 min	min	0.0001 min	0.1 min
		16	U-Td LO	Value of U3 for Td LO		Controlling value U3 is defined by: CONF-LOOP1-B02-Q13/Q15				
		17	U-Td HI	Value of U3 for Td HI		Controlling value U3 is defined by: CONF-LOOP1-B02-Q13/Q15				
		18	MR-LO	MR-LO for parameter control		-100	+100	%	0.1	50
		19	MR-HI	MR-HI for parameter control		-100	+100	%	0.1	50
		20	U-MR LO	Start value of U4 for MR-LO		Controlling value U4 is defined by: CONF-LOOP1-B02-Q16/Q18				
		21	U-MR HI	End value of U4 for MR-HI		Controlling value U4 is defined by: CONF-LOOP1-B02-Q16/Q18				
		25	GAIN 2	Controller gain G2 (active)		0.001	1000	ohne	0.0001	1
		26	RESET TIME 2	Reset time Tr2 (active)		0 min	600 min	min	0.0001 min	0.5 min
		27	RATE TIME 2	Derivative time Td2 (active)		0 min	600 min	min	0.0001 min	0.1 min
		28	RATEGAIN2	Rate gain Gd2		1	10	ohne	0.0001	5
		29	MANUAL RESET2	Manual reset MR2 (active)		-100	+100	%	0.1	50
		30	GAIN2 LO	Low G2 for parameter control		0.001	1000	ohne	0.0001	1
		31	GAIN2 HI	High G2 for parameter control		0.001	1000	ohne	0.0001	1
		32	Tr2 LO	Low Tr2 for parameter control		0 min	600 min	min	0.0001 min	0.5 min
		33	Tr2 HI	High Tr2 for parameter control		0 min	600 min	min	0.0001 min	0.5 min
		34	Td2 LO	Low Td2 for parameter control		0 min	600 min	min	0.0001 min	0.1 min
		35	Td2 HI	High Td2 for parameter control		0 min	600 min	min	0.0001 min	0.1 min
		36	MR2 LO	Low MR2 for parameter control		-100	+100	%	0.1	50
		37	MR2 HI	High MR2 for parameter control		-100	+100	%	0.1	50

1 menu	2 menu	parameter number	text	description	range		unit	max-imum reso-lution	factory setting	user setting	
					min.	max.					
		55	DEAD ZONE	Dead zone	0	25%	%	0,1	0% (For On/off + contin. contr.), else 1%		
		56	MIN.PULSETIME	Minimum ON period	0	5 s	s	0,05	0,05		
		57	N PER MIN. 1	Transfers per minute Z1	0,05	60	1/min	0,05	6		
	LOOP1	58	N PER MIN. 2	Transfers per minute Z2	0,05	60	1/min	0,05	6		
		59	RESERVED	Not in use			h.mm.ss		0,00,00 h		
		60	RESERVED	Not in use			h.mm.ss		0,00,00 h		
		61	RESERVED	Not in use			h.mm.ss		0,00,00 h		
		62	RESERVED	Not in use			h.mm.ss		0,00,00 h		
		67	OUT_MIN	Control variable min.	-5	100	%	0,1	0		
		68	OUT_MAX	Control variable max.	0	105	%	0,1	100		
		69	OUT_RAMP +	Output variable ramp rising	0,1	9999	%/s	0,001	9999		
	LOOP1	70	OUT_RAMP -	Output variable ramp falling	0,1	9999	%/s	0,001	9999		
		71	DV1	Defined value 1 for Output1	-5	105	%	0,1	0		
		72	DV2	Defined value 2 for Output2	-5	105	%	0,1	0		
		75	SP_MIN	Setpoint min.	-9999	99999	EU	0,0001	-9999		
		76	SP_MAX	Setpoint max.	-9999	99999	EU	0,0001	99999		
		77	SP_RAMP +	Setpoint ramp rising	0,0001	99999	EU/s	0,0001	99999		
		78	TOL.SP_RAMP+	Permissible difference between Setpoint and actual value	0	99999	EU	0,0001	99999		
		79	SP_RAMP-	Setpoint ramp falling	0,0001	99999	EU/s	0,0001	99999		
		80	TOL.SP_RAMP -	Permissible difference between Setpoint and actual value	0	99999	EU	0,0001	99999		
		81	SP1	Setpoint 1	-9999	99999	EU	0,0001	0		
	LOOP1	82	SP2	Setpoint 2 or delta for setpoint 1	-9999	99999	EU	0,0001	0		
		83	SP3	Setpoint 3 or delta for setpoint 1	-9999	99999	EU	0,0001	0		
		84	SP4	Setpoint 4 or delta for setpoint 1	-9999	99999	EU	0,0001	0		
		91	ALARM1	Alarm value 1	-9999	99999	EU	0,0001	-9999		
	LOOP1	92	ALARM2	Alarm value 2	-9999	99999	EU	0,0001	99999		
		93	ALARM3	Alarm value 3	-9999	99999	EU	0,0001	99999		
	PARAMETER	94	ALARM4	Alarm value 4	-9999	99999	EU	0,0001	99999		
		95	HYSTERESIS	Hysteresis	0	99999	EU	0,0001	1		
		96	TIME-UNIT	Time unit for dx/dt alarm value	1	3	ohme	1 = s 2 = min 3 = h	1		
		101	CONST1	Weighting factor in input signal connection	-9999	99999	ohme	0,0001	1		
		102	CONST2	Weighting factor in input signal connection	-9999	99999	ohme	0,0001	1		
		103	CONST3	Weighting factor in input signal connection	-9999	99999	ohme	0,0001	1		
		104	CONST4	Weighting factor in input signal connection	-9999	99999	ohme	0,0001	1		
		115	RATIO_MIN	Ratio min.	0	99999	EU	0,0001	0		
		116	RATIO_MAX	Ratio max.	0	99999	EU	0,0001	2		
		117	BIAS	Bias ratio control	-9999	99999	ohme	0,0001	0		
	PARAMETER	120	FF:TIME-CONST	Time constant d/dt	0,00,01	1,00,00	h.mm.ss	1s	0,00,15		
		121	FF:DIFF-GAIN	Differential gain	-10	10	ohme	0,1	1		
		125	dV-AMOUNT	1-positioning step	-100,0	+100,0	%	0,1	5,0		
		126	MAX.OUT.DUR	Max.step duration	0,00,09	20,00	h.mm.ss	1 s	15 s		
		127	MAX.Pos.ERR	Max. permissible posit. control deviation	0,0001	99999	EU	0,0001	99999		
		128	MAX-neg.ERR	Max. permissible negat. control deviation	0,0001	99999	EU	0,0001	99999		
	PARAMETER	199	Keys ⏏ and ⏏ act on text line	TAG name: A a Z (%) (. 9 0 . spacing . . 12 character	Default-string "-----"						

parameter number	text	description	range		unit	max-imum reso-lution	factory setting	user setting
			min.	max.				
32	SEGMENT1_BIN	Binary track (time segment 1)					4 binary tracks	
33	SEGMENT2_BIN	Binary track (time segment 2)					Default value=0	
34	SEGMENT3_BIN	Binary track (time segment 3)					track1	
35	SEGMENT4_BIN	Binary track (time segment 4)					track2	
36	SEGMENT5_BIN	Binary track (time segment 5)					track3	
37	SEGMENT6_BIN	Binary track (time segment 6)					track4	
38	SEGMENT7_BIN	Binary track (time segment 7)					Value	
39	SEGMENT8_BIN	Binary track (time segment 8)	0 = hexadec 2#40000	15 = hexadec 2#11111	none	1	0 0 0 0 0 1 0 0 0 1 2 0 0 1 0 3 0 0 1 1 4 0 0 1 1 5 0 1 0 0 6 0 1 0 1 7 0 1 1 1 8 1 0 0 0 9 1 0 0 1 10 1 0 1 0 11 1 0 1 1 12 1 1 0 0 13 1 1 0 1 14 1 1 1 0 15 1 1 1 1	
40	SEGMENT9_BIN	Binary track (time segment 9)						
41	SEGMENT10_BIN	Binary track (time segment 10)						
42	SEGMENT11_BIN	Binary track (time segment 11)						
43	SEGMENT12_BIN	Binary track (time segment 12)						
44	SEGMENT13_BIN	Binary track (time segment 13)						
45	SEGMENT14_BIN	Binary track (time segment 14)						
46	SEGMENT15_BIN	Binary track (time segment 15)						
47	PGR LOOP_BEG	From time segment	1	14	none	1	1	
48	PRG LOOP_END	up to time segment	2	15	none	1	15	
49	# OF LOOPS	Number of loop executions	1	9999	none	1	1	
50	TOL_SEG1	Tolerance segment 1						
51	TOL_SEG2	Tolerance segment 2						
52	TOL_SEG3	Tolerance segment 3						
53	TOL_SEG4	Tolerance segment 4						
54	TOL_SEG5	Tolerance segment 5						
55	TOL_SEG6	Tolerance segment 6						
56	TOL_SEG7	Tolerance segment 7						
57	TOL_SEG8	Tolerance segment 8	0	99999	EU	1	99999	
58	TOL_SEG9	Tolerance segment 9						
59	TOL_SEG10	Tolerance segment 10						
60	TOL_SEG11	Tolerance segment 11						
61	TOL_SEG12	Tolerance segment 12						
62	TOL_SEG13	Tolerance segment 13						
63	TOL_SEG14	Tolerance segment 14						
64	TOL_SEG15	Tolerance segment 15						
		Loops						
		Tolerance						
		Is the deviation between the PV and the programmer SP bigger than the adjusted tolerance, the program will be frozen until the PV reaches the tolerance to the programmer SP.						

P1 menu

PARAMETER PROGRAM n (n=1 to 10)

PARAMETER PROGRAM n (n=1 to 10)

PARAMETER PROGRAM n (n=1 to 10)

PARAMETER PROGRAM n (n=1 to 10)

PARAMETER PROGRAM n (n=1 to 10)

PARAMETER PROGRAM n (n=1 to 10)

20 Error codes

20.1 Device errors

Errors occurring during read or write actions in the non-volatile flash memory will be indicated in the top line of the display with the message

!Error

where the four periods represent the four-digit error code assigned to the error. Refer to 20.1.1 and 20.1.2 for a description of the respective errors, the possible reasons, and the recommended steps. If the characters "xy" appear in the error code, this means that a detailed description of the respective error is available in table 19-1.

If none of the recommended steps can solve your problem, please contact the manufacturer and provide the following information:

- instrument version
- firmware version
- IBIS_ R/IBIS_ R+ revision
- actions taken
- configuration
- project
- error code

20.1.1 Error codes

Error code	Description	Recommended steps
32	Configuration download failed.	Set device to factory setting and repeat download after approximately 2 minutes.
3100	Not enough flash memory available for saving the configuration data.	Set device to factory setting and repeat download after approximately 2 minutes or reduce configuration and try again
3200, 3201	Internal processing action failed.	Inform manufacturer.
41xy	Error when saving the project header.	Inform manufacturer.
42xy	Error when saving the list configuration.	Inform manufacturer.
43xy, 44xy	Error when saving the project version data.	Inform manufacturer.
45yx	Error when saving the hardware configuration.	Inform manufacturer.
47xy		
48xy	Error when saving changes of the online parameters.	Inform manufacturer.
49xy		
61xy	Project header cannot be read.	
62xy	List configuration cannot be read.	
63xy	Project version data cannot be read.	
64xy		
65xy	Hardware configuration cannot be read.	
68xy	Changes of the online parameters cannot be read.	
69xy		
80xy	General hardware error.	Return device to manufacturer for repair.

81xy	Flash memory cannot be initialized completely.	
82xy	Flash memory completely erased due to serious error.	
83xy 84xy 85xy 86xy 87xy		

Fig.20-1 Device error codes

20.1.2 Error details

xy	Error description (valid for the device flash memory)
0	CRC error when reading a block.
1	No free block found when writing.
2	Function call with invalid block number.
3	Function call with too big address offset.
4	Flash memory fault.
5	Flash memory does not exist.
6	(Memory) block not found.
7	Specified file not found.
8	(Memory) block cannot be deleted.
9	Power-fail
10	Power-fail in the initialization phase.
20	(Memory) block contents cannot be deleted.
21 - 24, 29	Uncorrectable write error.
30	No free memory space available.
31 -34, 36,39	Internal error
38	Requested service is not supported

Fig.20-2 Error details

20.2 Error codes of the controller selftune routine

Errors are output in the form S.Par.Err.X, where X is an error code between 1 and 5.

Error code	Error description	Recommended steps
1	<p>General error</p> <p>The requirements for trouble-free selftuning are not fully met. However, the reason for this cannot be determined exactly.</p>	Restart selftuning.
2	<p>Noise band</p> <p>The noise band automatically determined in the initial phase of the selftuning routine turned out to be too small. This may happen if disturbances increase while the selftuning procedure is in progress.</p>	Restart selftuning.
3	<p>Changes of the controlled variable</p> <p>The controlled system does not change sufficiently to permit proper analysis of its behavior.</p>	The configurable change of the output variable should be increased.
4	<p>Time-out</p> <p>Within a given time of 10 hours there were no changes of the controlled system.</p>	<p>Check the connection and configuration of the measuring values for possible errors.</p> <p>If no errors can be found, the controlled system cannot be identified due to a dead time that is too long.</p>
5	<p>No damping</p> <p>No damping of the controlled system occurred within the given time window. However, to be able to identify the controlled system, it must be stationary.</p>	Exit the selftuning routine and set the control loop to "manual" mode. Wait until the controlled systems do no longer change "noticeably", then restart selftuning.

Table 20-1 Error codes of controller selftuning

20.3 Error codes of the input/output level

Error code	Error description	Recommended steps
E_AI01C 3	At least one calibrated value of AI01 has violated the low limit. Only the values required according to the AI01-F01 configuration are checked here.	The input can be recalibrated via the front panel by using the respective signal transmitters.
E_AI01C 4	At least one calibrated value of AI01 has violated the high limit. Only the values required according to the AI01-F01 configuration are checked here.	see E_AI01C 3
E_AI02C 3	At least one calibrated value of AI02 has violated the low limit.	see E_AI01C 3
E_AI02C 4	At least one calibrated value of AI02 has violated the high limit.	see E_AI02C 3
E_BIOC 3	At least one calibrated value from BIO01 to DO05 has violated the low limit.	Calibration through the manufacturer required.
E_BIOC 4	At least one calibrated value from BIO01 to DO05 has violated the high limit.	see E_BIOC 3

Upon power on the device checks the calibrated values for the inputs and outputs. If any errors are detected, they are indicated as plain text (see table).

Table 20-2 Error codes of the input/output level

21 Technical data

Inputs

Common data:

without electrical isolation

Resolution $\leq 0.01\%$

Accuracy (referred to nominal range) $\leq 0.2\%$

Temperature effects $\leq 0.2\%/10\text{ }^\circ\text{C}$

Hardware input filter limit frequency 7 Hz

Analog:

Universal input AI01

connected to internal device ground

used for standard signal

0/4...20 mA at $50\ \Omega \pm 1\%$

Overcurrent/polarity reversal protection

up to $\pm 40\text{ mA}$

Linearization, square-rooting
configurable

at 4...20 mA Line break monitoring with configurable reaction

used for thermocouples

Types	Temperature range	Voltage range	Typical accuracy
J	-200...1200 °C	77.43 mV	$\leq 0.2\%$
E	-200...1000 °C	85.18 mV	$\leq 0.2\%$
K	-200...1400 °C	61.53 mV	$\leq 0.2\%$
L	-200...1000 °C	78.21 mV	$\leq 0.2\%$
U	-200... 600 °C	40.00 mV	$\leq 0.3\%$
R	0...1700 °C	20.22 mV	$\leq 0.5\%$
S	0...1800 °C	18.72 mV	$\leq 0.5\%$
T	-200... 400 °C	26.47 mV	$\leq 0.4\%$
B	0...1800 °C	13.24 mV	$\leq 0.6\%$
D	0...2300 °C	36.92 mV	$\leq 0.4\%$

Reference junction compensation

internal or external: 0, 20, 50 or 60 °C

Internal reference junction

Error limit $\pm 1\text{ }^\circ\text{C}/10\text{ K}$

Reference temperature $22\text{ }^\circ\text{C} \pm 1\text{ }^\circ\text{C}$

Ambient temperature 0...50 °C

Sensor break monitoring

with configurable reaction

Used for resistance thermometer Pt100 DIN

Measuring range

-200.0...+200.0 °C

-200.0...+800.0 °C

Measuring current

$\leq 1\text{ mA}$

Measuring circuit: 2-wire circuit to $40\ \Omega$ line resistance

Line balancing: by software

3-wire circuit: for symmetrical lines up to $3 \times 10\ \Omega$

used for resistance teletransmitter (potentiometer)

Measuring ranges

150 Ω , (75...200 Ω); 1.5 k Ω (0.75...2 k Ω)

Measuring current: $\leq 1\text{ mA}$

other data as resistance thermometer

Optional universal input 2 (AI02)

with integrated transmitter power supply

Input for mA, Pt100, thermocouple or potentiometer, technical data as AI01, but with electrical isolation.

Permissible common-mode voltage against device ground
 ± 4 V DC

Permissible differential-mode voltage U_{ss} (50 Hz)
50 mV

Transmitter power supply
output voltage 20...25 V DC, 50 mA

Short-circuit proof
automatic cut off on overload

binary:

2 binary inputs/outputs (B01/B02)

Direct/reverse function configurable

Input DIN 19240	Rated signal V DC	Voltage range (V)	Current range
Rated level	24	20.4...28.8	approx. 1 mA
1-signal	24	13.0...30.2	approx. 1 mA
0-signal	0	- 3.0... 5.0	< 0.2 mA

Output DIN 19240	Rated signal V DC	Voltage range (V)	Current range
Rated level	24 ext.	20.4...28.8	100 mA
1-signal	24	13.0...30.2	0...max. mA
0-signal	0	- 3.0... 5.0	0...0.15 mA

Switching frequency ≤ 8 Hz

Outputs

Analog output AO01

galvanical isolated

Control output or retransmission

0/4...20 mA at max. 750 Ω , short-circuit and open-circuit proof

Control range

0... ≥ 21 mA

Load-dependency

0.1 %/100 Ω

Resolution

≥ 0.01 %

binary:

see inputs

3 relays with NO contact (B03/B04/B05)

for max. 250 V AC, 3 A resistive load

for min. ≥ 12 V AC, ≥ 100 mA

Contact material AgCdO

Programmer

10 programs can be stored

each program:

15 segments

Set point in physical units

Segment time 0...99:99:9 hours, four digital tracks

Serial interfaces

TTL interface for connection to PC with fixed telegram format matching parameter setting and configuration program IBIS-R+ (see Data Sheet 62-6.70 EN).

For adapter cable see ordering information. Bus capable RS 485 interface retrofittable (see modules)

CPU data

Measured value and correction value resolution
≤ 0.01 %

Cycle time
approx. 100 ms

Configuration and data backup
Flash-EEPROM

Power supply

115 to 230 V AC (90...260 V), 47...63 Hz

Power consumption:

Max. 13.3 VA (11 W)

Power failure bridging ≥ 150 ms at ≥ 180 V AC

24 V UC

24 V DC -25...+30 %, residual ripple ≤ ± 3 V_{SS}

24 V AC -15...+10 %, 47...63 Hz

Power consumption:

Max. 15 VA (12 W)

Power failure bridging ≥ 20 ms at 0.85 x U_{nom}

Power factor cosφ = 0.7

Safety

The device needs no external safety of power supply

Environmental conditions

Climatic class

3K3 to EN 60721-3-3

Ambient temperature

0...50 °C

Storage and transport temperature

-20...70 °C

Relative humidity

< 85 %, short-term to 95 %, no condensation

Minimum atmospheric pressure

80 kPa

Electromagnetic compatibility

Meets protection requirements of EMC directive 89/336/EEC, 5/89

Interference resistance EN 61326-1

Interference emission EN 50081-1, 1/92

(referred to: EN 55011, class B)

Max. interference resistance, if device is mounted in a metal panel

Connection, case, safety

Degree of protection to DIN EN 60529

Front panel: IP 65
Case: IP 30
Terminals: IP 20

Electrical safety

Class of protection 1 to EN 61010 T.1 (VDE 0411 T.1, March 1994)

Clearances and creepage distances as per EN for overvoltage category 3, degree of contamination 2

All inputs and outputs, including the interface and the transmitter feed but excepting all relay outputs are functional extra-low voltage circuits to DIN VDE 0100, part 410. The safe isolation of these circuits meets the requirements to DIN VDE 0106, part 101.

Mechanical stress features

to DIN IEC 68, part 2-27 and 68-2-6

Shock 30 g/18 ms; Vibration 2 g/0.15 mm/5...150 Hz

Case dimensions

Front panel 96 mm x 96 mm
Installed depth 145 mm

Panel cutout

92 mm x 92 mm to DIN 43700

Mounting

in panel
Horizontal high-density construction possible
Vertical spacing 36 mm
Fixing with straining screws

Electrical connections

Plug-in screw terminals
for wire or stranded wire to 1.5 mm², coded

Power supply
2.5 mm²

No shielded cables required – except for interface leads

Mounting orientation
any

Weight
approx. 600 g without modules
additional module approx. 40 g
additional relay module approx. 80 g

Scope of supply and delivery

2 straining screws (integrated in case), Operating Manual and plug-in screw terminals

Modules

One of the modules listed below can be plugged in for extending the I/O or for using digital communication.

Analog inputs

Module AI4_mA=AE4_mA for standard signals

4 inputs

0/4...20 mA electronically isolated

Input resistance approx. 50 Ω

Signal resolution $\leq 0.01\%$ for 20 mA

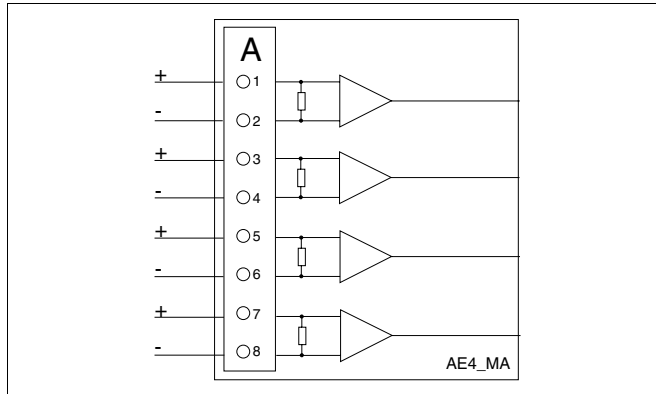
Permissible common-mode voltage $\leq \pm 4$ V against device ground

Permissible differential-mode voltage 50 mV_{ss}

Destruction proof

Input current < 50 mA

Voltage between input and ground ± 50 V



Module 4_mV=AE4_mV for thermocouples

4 inputs

-10...80 mV, with electrical isolation

Signal resolution

20.000 for -10...80 mV

Input resistance

approx. 5 M Ω

Permissible common-mode voltage $\leq \pm 4$ V against device ground

Permissible differential-mode voltage 50 mV_{ss}

Destruction proof

Voltage at one input ± 10 V

Voltage between input and ground ± 50 V

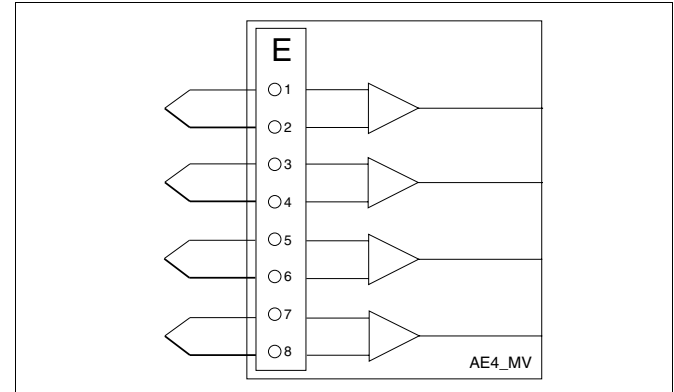
Break monitoring

configurable reaction

Reference junction compensation

configurable, internal or external 0, 20, 50 or 60 $^{\circ}$ C

Linearization configurable like AI01



Module AI2_mA/mV-OI=AE2_mA/mV_TR

for mA signals or thermocouple with electrical isolation

2 inputs with electrical isolation

0/4...20 mA or -10...80 mV (changeable by means of jumpers)

Input resistance at

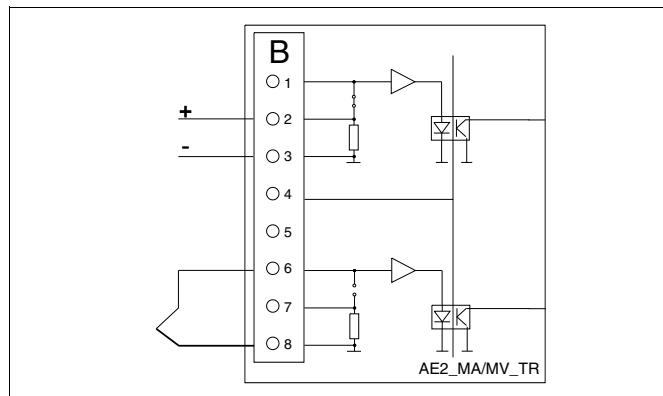
20 mA: 25 Ω ; -10...80 mV: approx. 5 M Ω

Dielectric strength of input and output leads against each other and against grounded conductor:

Test voltage 500 V AC

Continuous operation 45 V AC

Technical data as modules 4_MV or 4_MA



Module AI4_PT_2W=AE4_PT_2L for RTD 2-wires

4 inputs

for Pt100 in 2-wire circuit

Range: 0...400 Ω

Permissible differential mode voltage: : 100 mV_{ss}

Signal resolution ≤ 0.01 % for 400 Ω

Measuring current ≤ 1.5 mA

Measuring range configurable

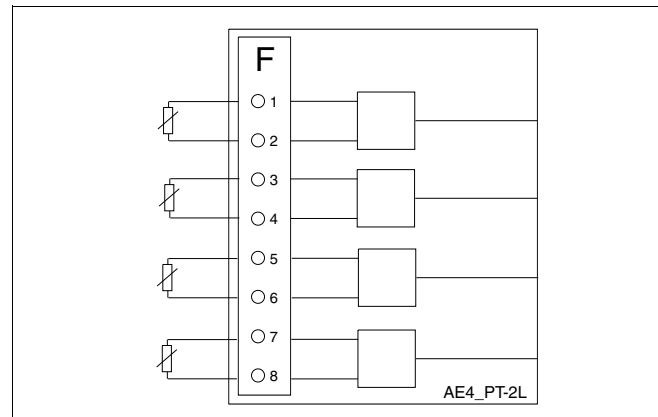
-200.0...+200.0 $^{\circ}\text{C}$

0.0...+450.0 $^{\circ}\text{C}$

-200.0...+800.0 $^{\circ}\text{C}$

Line balancing by software

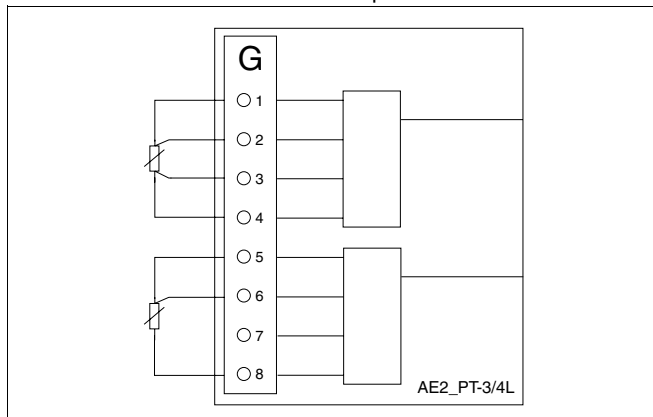
Sensor break and short-circuit monitoring
configurable reaction



Module AI2_PT_3/4W=AE2_PT_3/4L for RTD 3-/4-wires

2 inputs

for Pt100 in 3- or 4-wire circuit or potentiometer



Technical data for Pt100 as module AI4_PT_2_W

Potentiometer R150: 0...150 Ω

Series resistance: 0...500

Measuring current < 1.5 mA

Potentiometer R1500: 0...1500 Ω

Series resistance: 0...1500 Ω

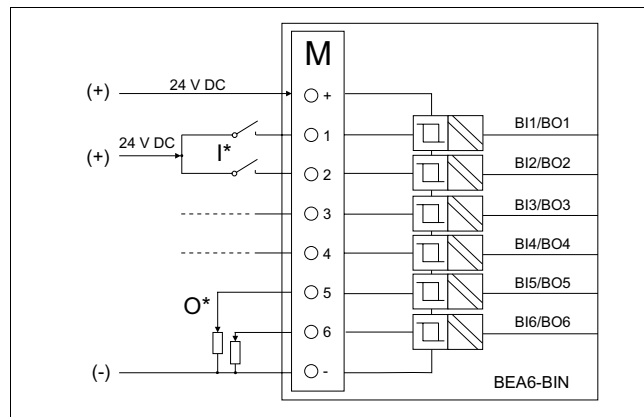
Measuring current < 0.5 mA

Binary inputs/outputs

Module BIO6_BIN=BE06_BIN

6 binary inputs/outputs, opto isolated

Configurable as input or output, direct or reverse action



*) Connection example: I = binary inputs; O = binary outputs

Input DIN 19240	Rated signal V DC	Voltage range (V)	Current range
Rated level	24	20.4...28.8	approx. 3 mA
1-signal	24	13.0...30.2	approx. 3 mA
0-signal	0	-3.0...5.0	≤ 0.1 mA
Output DIN 19240	Rated signal V DC	Voltage range (V)	Current range
Rated level	24 ext	20.4...28.8	100 mA
1-Signal	24	13.0...30.2	0...max. mA
0-Signal	0	-3.0...5.0	0...0.1 mA

Module BO4_REL=BA4_REL

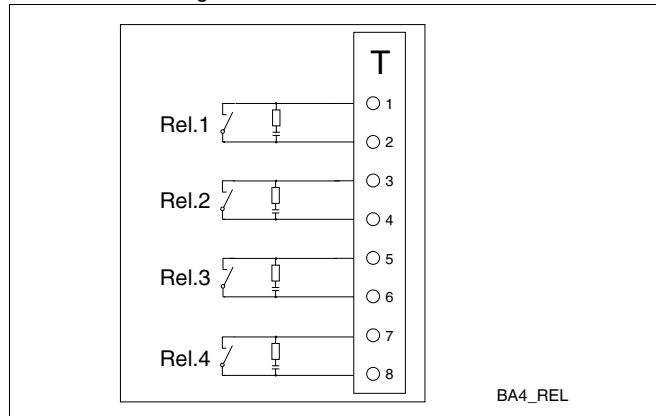
4 relays

with NO contact for max. 250 V AC, 1 A resistive load

Built-in spark-quenching: 0.022 μ F + 100 Ω

For max. 250 V, max. 1 A at $\cos\phi = 0.9$

Contact material AgCdO



Module AI4_F=AE4_F

4 inputs for:

Frequency (1/4 inputs)

Range 1 input 0...20 kHz

Range 4 inputs 0...10 kHz

Signal resolution 1 Hz

Period (1-4 inputs)

Range 0...20 s

Signal resolution 1 ms

Pulses (1-4 inputs)/incremental angle (2 inputs)

Range: 0...20.000 pulses/cycle time

min. pulse length: 50 μ s

Absolute incremental angle (1 input)

Range: 0...20.000 pulses

min. pulse length: 50 μ s

Types of input signals:

Max. 2 Namur inputs according to DIN 19234

Open circuit voltage

$U_i = 9.5$ V

Internal resistance

$R_i = 1$ k Ω

Signal range

$L = 0...1.2$ mA/H = 2.1...4.0 mA

Max. 4 digital inputs according to DIN 19240 (0/24 V DC)

Input resistance

$R_E > 6$ k Ω

Signal range

$L = -3...5$ V/H = 13...20.2 V

Max. 4 digital inputs TTL (0/5 V DC)

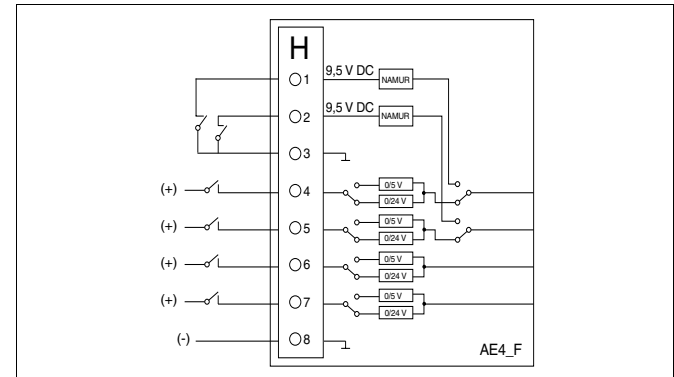
Input resistance

$R_E > 6$ k Ω

Signal range

$L = 0...0.8$ V/H = 3.5...24 V

Accuracy: ± 0.1 %



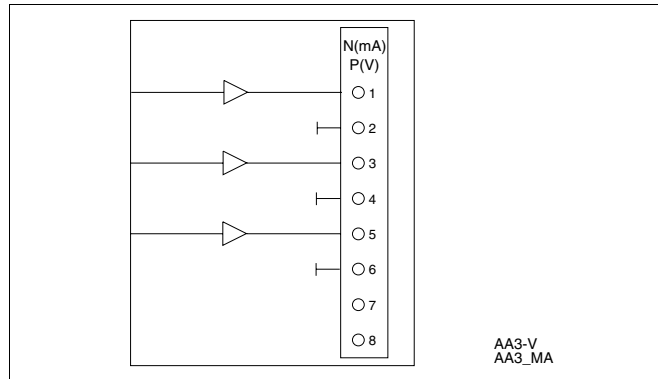
Analog outputs

Module AO3_mA=AA3_mA

Triple current output 0/4...20 mA at 750 Ω
 Signal resolution ≤ 0.02 % for 20 mA
 Load dependency 0.1 %/100 Ω
 Output monitoring, reaction configurable

Module AO3_V=AA3_V

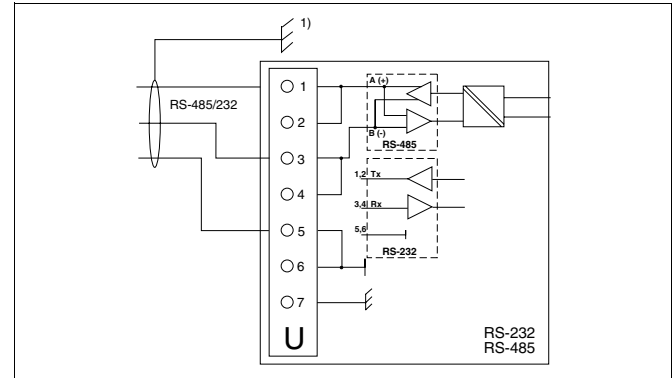
Triple voltage output 0/2...10 V ≥ 5 kΩ



Interface modules

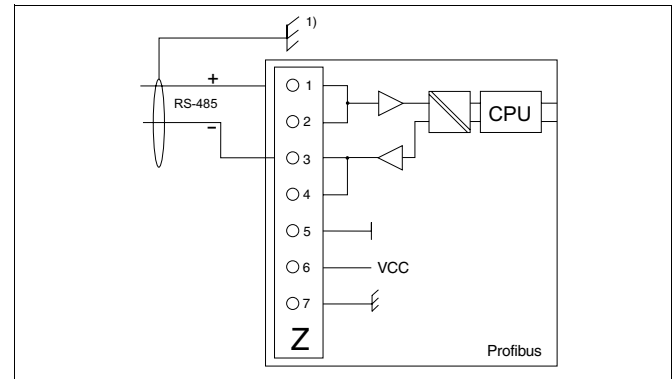
Module RS 485 or RS 232

Interface module in accordance with RS 485 or RS 232 specification. Electrically isolated. Standard protocol: MODBUS-RTU.



Module PROFIBUS-DP/DP-V1 (Slave)

Module with full functional capabilities of DIN 19245, parts 1 to 4.
 Transmission rate up to 1.5 MBaud.
 Bus terminating adapter see accessories on page 10



22 Packaging for transport or return to the manufacturer

If the original packing material is no longer available, wrap Digitric 100 in a padded plastic film or corrugated paper board and place it in a box of sufficient size lined with a shock-absorbing material (e.g. foam rubber). The thickness of the shock-absorber should be in accordance with the device weight and the type of shipment.

The box must be handled with care and has to be labeled accordingly.

For overseas shipment always add a desiccant (e.g. silica gel) and wrap the device and the desiccant bag in a heat-sealed polyethylene foil of 0.2 mm. Adapt the amount of desiccant to the packing volume and the expected transport time (at least sufficient for 3 months). Additionally line the box with a layer of union paper.

A	
Adding input AI02	43
Additional variants in the template	152
Adjusting a teletransmitter	139
Adjustment	138
AI definition	93
Alarm handling	49
Alarm variants in the template	154
Analog input module 2 × mA or thermocouple / mV	23
Analog input module 2 ¥ Pt 100, 3-wire/4-wire	25
Analog input module 4 × mA	23
Analog input module 4 × Pt100, 2-wire	24
Analog input module 4 × thermocouple	24
Analog output module 3 × mA	27
Analog output module 3 × V	27
Assembling of a module	35
Automatic characteristic curve	98
Automatic mode	50
B	
Basic structure of the list configuration	167
Basic variants in the template	151
Binary input/output module (with electrical isolation)	28
Binary output module 4 × relay	28
C	
Calibration	141
Characteristic curve	97
Computer setpoint	99
Configuration	67, 86
Configuration examples	90
Configuration for drum water level	122
Configuration for gas and steam	121
Configuration for water mass flow	122
Connecting	19
Connecting the power supply	31

Continuous controller	134
Control outputs	130
D	
DDC control	59
Derivative gain Gd	78
Derivative time Td	78
desired language	148
Dimension	95
Disabling the password	44
Display unit	137
E	
Error codes	190
Error codes of the controller selftune routine	194
Error information on the display	64
F	
Factory setting	166
Filtering	95
Fixed-value control	104
Forgotten password	75
Frequency input module 4 × F	26
G	
Gain	78
Gain scheduling	117
H	
Hardware	91
Hardware information	136
Heating - off - cooling	132
How to use this instruction	10
I	
Indication 2	67, 68
Inputs/outputs	69
Installing	15
L	
Library identification	71

M	
mA inputs	96
Manual characteristic	97
Manual mode	51
Manual reset MR	78
Manual station	61
Master reset	144
Menu structure	66
Modifying modules	42
Modules	22
Motorized valve control	133
Mounting	16
Mounting instructions	17
Mounting the module	34
Multi-component control	108
Multiplication	115
N	
Navigating through the template	149
O	
Operate 2	67, 72
Operation	45
P	
Packaging for transport	205
Panel cutout	16
Parameter	67
Parameter changeover/control	117
Parameterization	76
Parameterization menu	76
Password	92
Password protection	74
Plausibility	143
Positioner	63, 133
PROFIBUS	30
Programmer	55, 100

Q	
Quick configuration	145, 146
R	
Ratio control	110
Ratio controller	53
Ratio station	62
Remote control (Profibus or Modbus)	63
Reset time Tr	78
Resistance thermometer input	96
RS-232 interface module	29
RS-485 interface module	30
S	
safety instructions	12
Safety instructions in accordance with DIN VDE	34
Selecting and changing parameters	77
Self-tune	81
Selftune	67
Service	67, 135
Setpoint 1	98
Setpoint ramp	99
Setpoint SP2 to SP4	99
Setpoint station	62
Setpoints	52, 98
Signal connections for modules and PC	21
Signal connections of the basic unit	19
State correction	120
Step controller	133
Supervisor	67, 142
T	
Tables for menus	158
Tables for the configuration menu	166
Tables for the parameter setting menu	185
Technical data	196
Teletransmitter input	97
Template	145, 146
Thermocouple input	96

Three-point controller	132
Two-point controller	131
Type of analog input AI01 and AI02 in the template	156
U	
Updating the firmware	44
V	
Version display	71



ABB Automation Products GmbH

Hoeseler Platz 2, 42579 Heiligenhaus, Germany
Phone +49 2056 12-5181; Fax +49 2056 12-5081
<http://www.abb.com>

Subject to technical changes
Printed in the Fed. Rep. of Germany
42/61-10010 EN Rev. 02
Edition 05.02